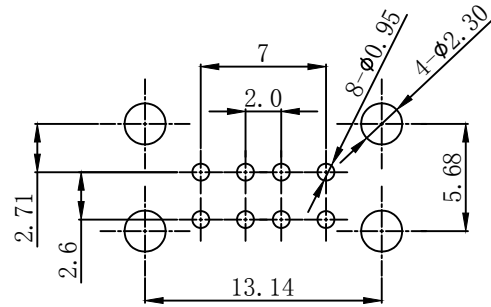
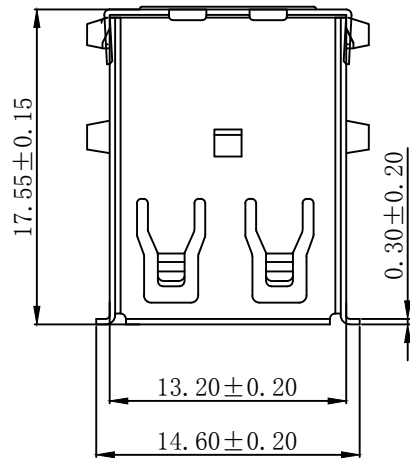
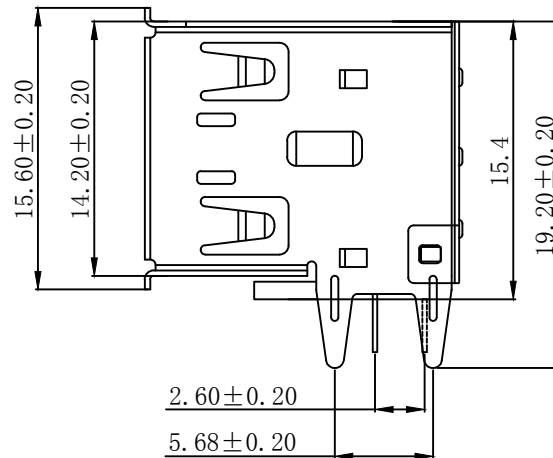
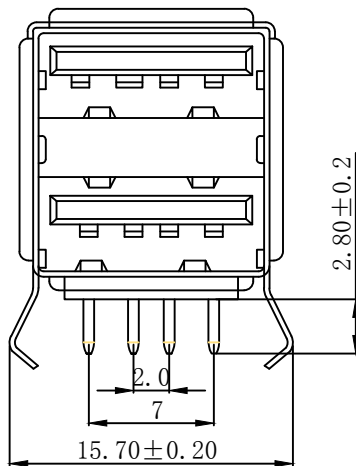


# Mechanical:

REV.	ECN NO.	DESCRIPTION	DATE	APPD
A	REL		2021/10/19	



RECOMMEND P. C. B LAYOUT  
TOLERANCE: ±0.05 (TOP VIEW)



### Specifications:

#### Electrical:

Current Rating : 1.5A/contact terminal  
Voltage Rating: 30V DC  
Contact Resistance:30 milliohms MAX  
Dielectric Withstanding Voltage:  
500 V AC AT Sea Level  
Insulation Resistance:1000MEGA ohms MIN

#### Mechanical:

Connector Mate and Unmate Force  
Mate force:35N(MAX)  
Unmate force:10N(MIN)  
Terminal Retention :10N(MIN)

#### Material:

##### Housing:

Ring Temperature Thermoplastics,  
UL 94V-0 PBT Black/WHITE  
Contact:Copper Alloy C2680/C5191  
Shell: Copper Alloy C2680/SPCC

##### Finish:

Contact: Plated Gold in Mating Area;  
Tin On Solder Talls  
Shell:Nickel Plating  
UL Certification: File Number E484635.



X:X	±0.30		LINK-PP INT'L TECHNOLOGY CO., LIMITED	
X:XX	±0.25	CHKD:	TITLE: USB AF90° Double half-pack non-projectile conjoined	
X:XXX	±0.05	DR: LEO	PART NO.: LPUSB2201	
ANGLES	±1°	UNIT: mm	DWG NO.: LP21101995	
	SCALE: 2/1	SHEET: 1/1	REV: A	