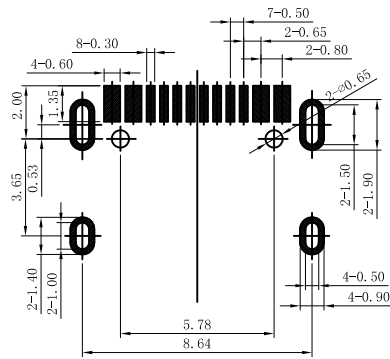
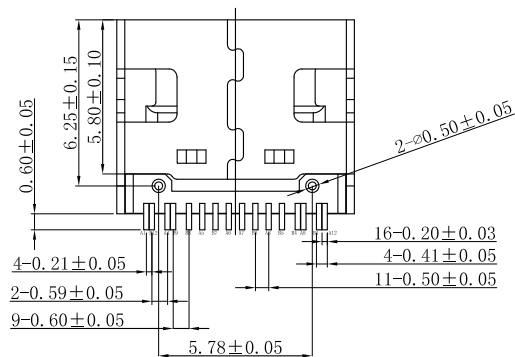
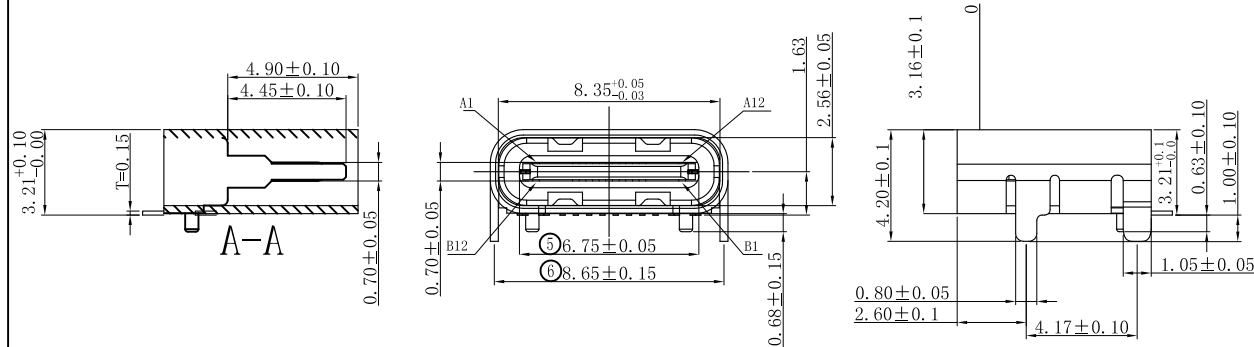
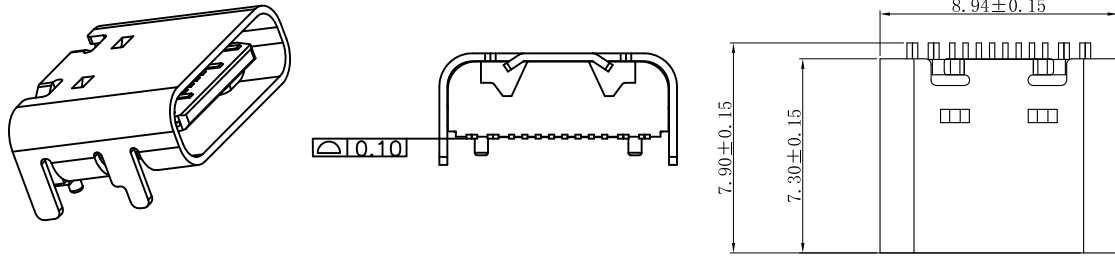


# Mechanical:

REV.	ECN NO.	DESCRIPTION	DATE	APPD
A	REL		2012-12-02	



RECOMMENDED P.C.B. LAYOUT  
TOLERANCE UNSPECIFIED ±0.05mm

## Note:

### 1. Material:

- 1.1 Housing: LCP+30%G.F, UL94V-0
- 1.2 Contact: Copper Alloy C5191
- 1.3 Shell: SUS304 , t=0.30mm

### 2. Specification:

- 2.1 Current rating: 3 A Max.
- 2.2 Dielectric withstanding  
voltage: 100 V(ac) for 1 min.
- 2.3 Contact resistance: 50 mW Max.
- 2.4 Insulation resistance: 100 MW Min.
- 2.5 Total mating force: 10.0N Max.
- 2.6 Total unmating force: 9.0N Min  
Kgf Min. after 10000 insertion/extraction cycles
- 2.7 Temperature range: -55°C~80°C.

X:X ±0.30	APPD:	LINK-PP INT'L TECHNOLOGY CO., LIMITED		
X:XX ±0.25	CHKD:	TITLE: USB C TYPE 16P SMT		
X:XXX ±0.10	DR: TOM	PART NO.: LPUSB1083		
ANGLES ±1°	UNIT: mm	SCALE: 2/1 SHEET: 1/1 REV: A DWG NO.: LP20120205		