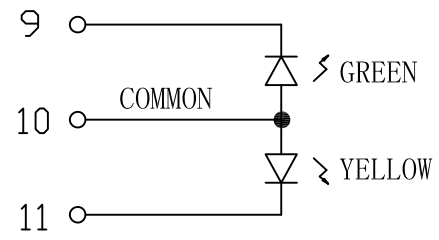
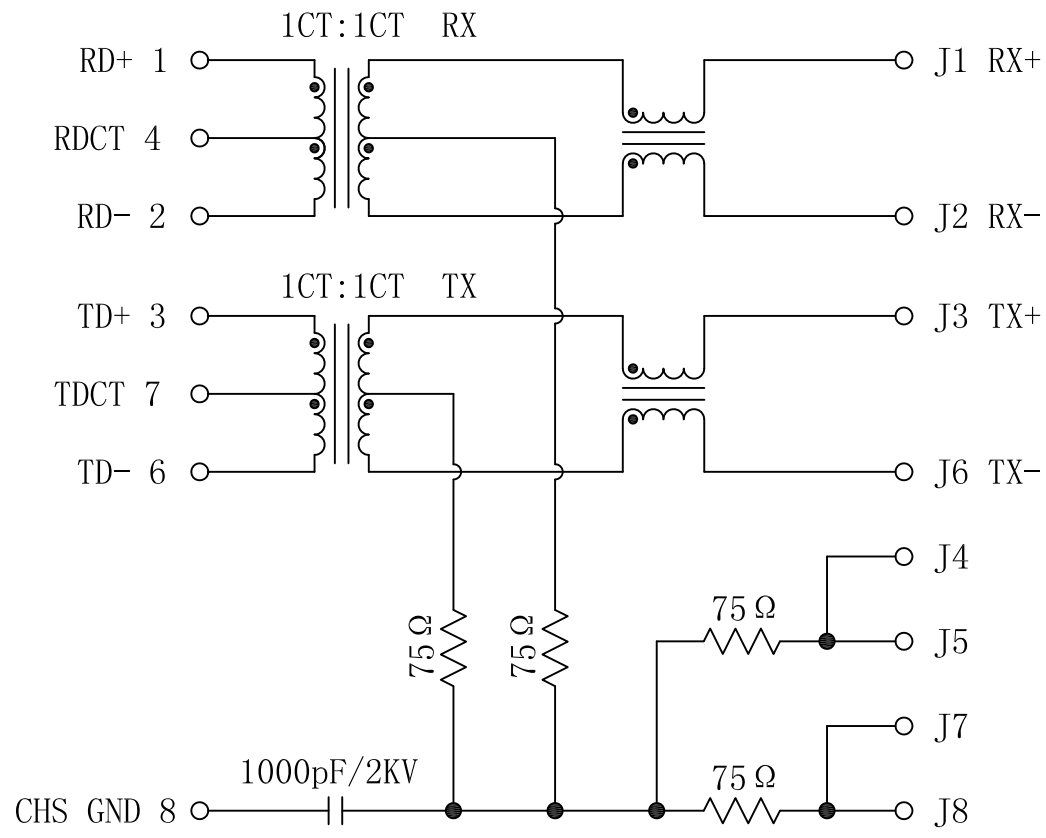


Schematic:

REV.	ECN NO.	DESCRIPTION	DATE	APPD
A	REL		2013/01/28	

PCB SIDE TO PHY

CABLE SIDE



LED POLARITY			COLOR
PIN 9	PIN 10	PIN 11	
-	+	/	GREEN
/	+	-	YELLOW

Electrical Specifications: @25°C

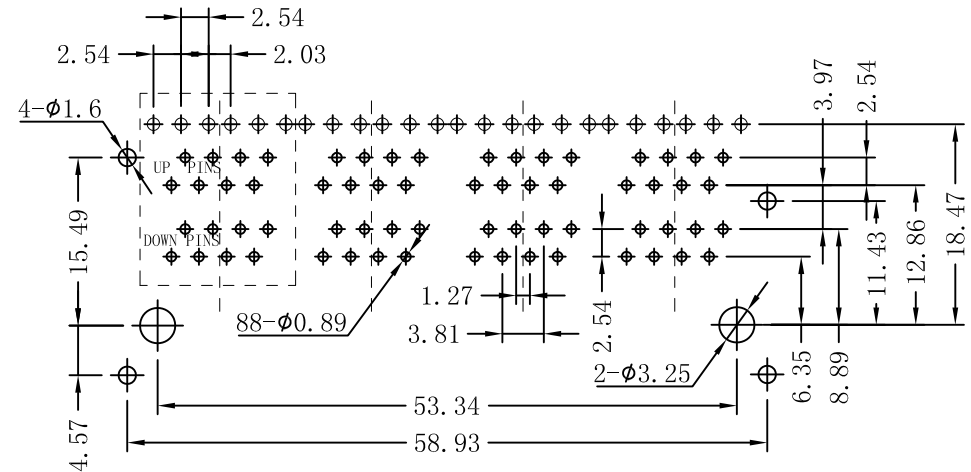
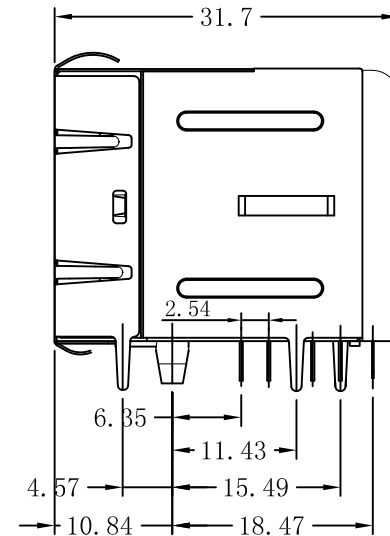
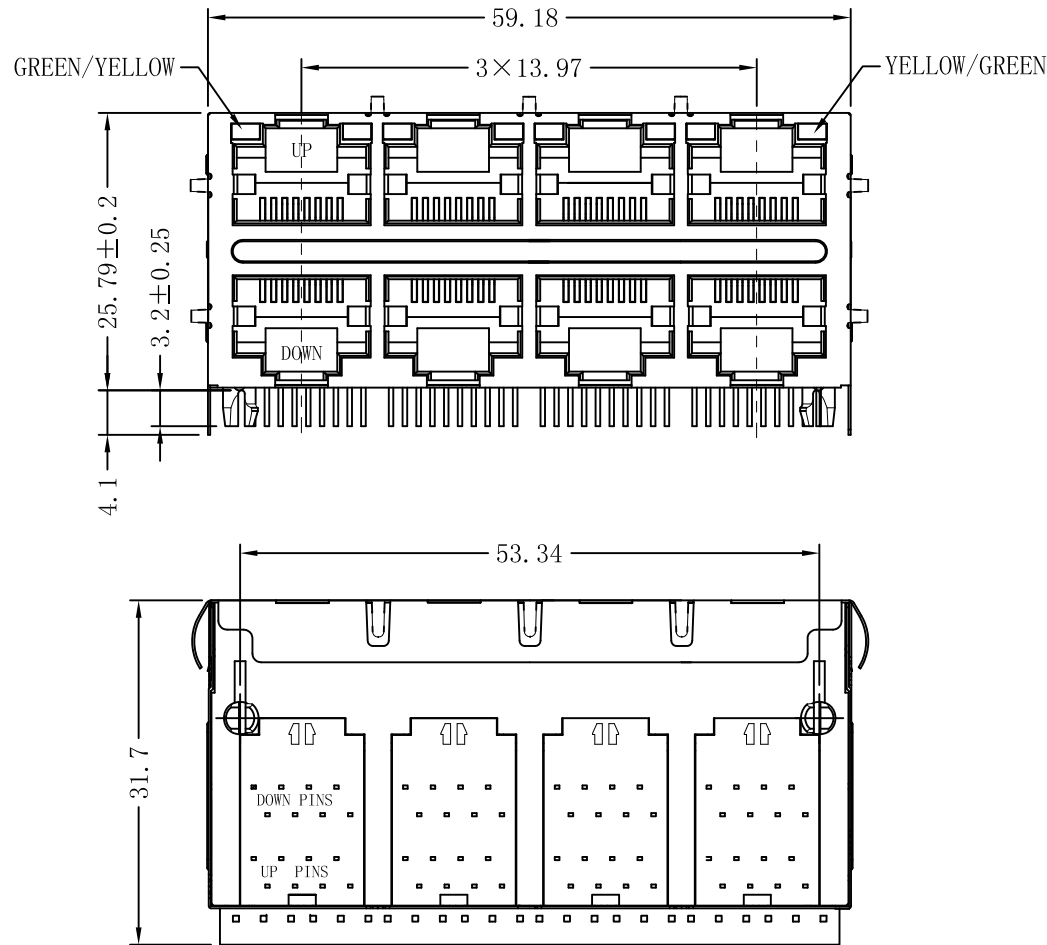
- Turns Ratio ($\pm 3\%$):
TX=1CT:1CT RX=1CT:1CT
- Inductance (@ 100KHz, 0.1V, 8mA DC BIAS):
350uH MIN
- Insertion Loss:
0.1-100MHz: -1.0dB MAX
- Return Loss:
1-30MHz: -16dB MIN
40MHz: -14dB MIN
50MHz: -13dB MIN
60-80MHz: -12dB MIN
- Crosstalk:
0.1-100MHz: -35dB MIN
- Common Mode Rejection:
32MHz: -42dB MIN
62MHz: -37dB MIN
100MHz: -33dB MIN
- HI-POT (Isolation Voltage):
1500Vrms MIN
- Operating Temperature: -40°C ~ +85°C.



X:X	± 0.30	APPD:	LINK-PP INT'L TECHNOLOGY CO., LIMITED	
X:XX	± 0.25	CHKD:	TITLE: RJ45 10/100 Base-T Transformer W/LED 2x4	
X:XXX	± 0.05	DR: TOM	PART NO.: LPJX47312A43NL	
ANGLES	$\pm 1^\circ$	UNIT: mm	REV: A DWG NO.: LP13012801	
	SCALE: 2/1	SHEET: 1/2		

Mechanical:

REV.	ECN NO.	DESCRIPTION	DATE	APPD
A	REL		2013/01/28	



SUGGESTED PCB LAYOUT (TOP VIEW)

NOTES:

1. Designed to support application, such as SOHO (ADSL modems), LAN-on-Motherboard (LOM), hub and Switches.
2. Meets IEEE 802.3 specification
3. Connector Materials:
Housing: Thermoplastic UL94V-0
Contact/Shield: Copper alloy
Shield plating: Nickel
Contact plating: Gold 6 micro-inches min. In contact area.
4. Wave solder tip temperature: 265°C Max, 5 Sec Max.



X:X	±0.30	APPD:	LINK-PP INT'L TECHNOLOGY CO., LIMITED
X:XX	±0.25	CHKD:	
X:XXX	±0.05	DR: TOM	TITLE: RJ45 10/100 Base-T Transformer W/LED 2×4
ANGLES	±1°	UNIT: mm	PART NO.: LPJX47312A43NL
	SCALE: 2/1	SHEET: 2/2	REV: A
			DWG NO.: LP13012801