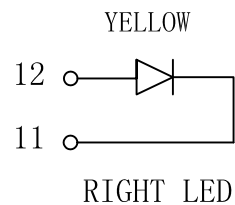
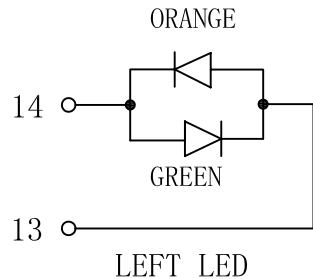
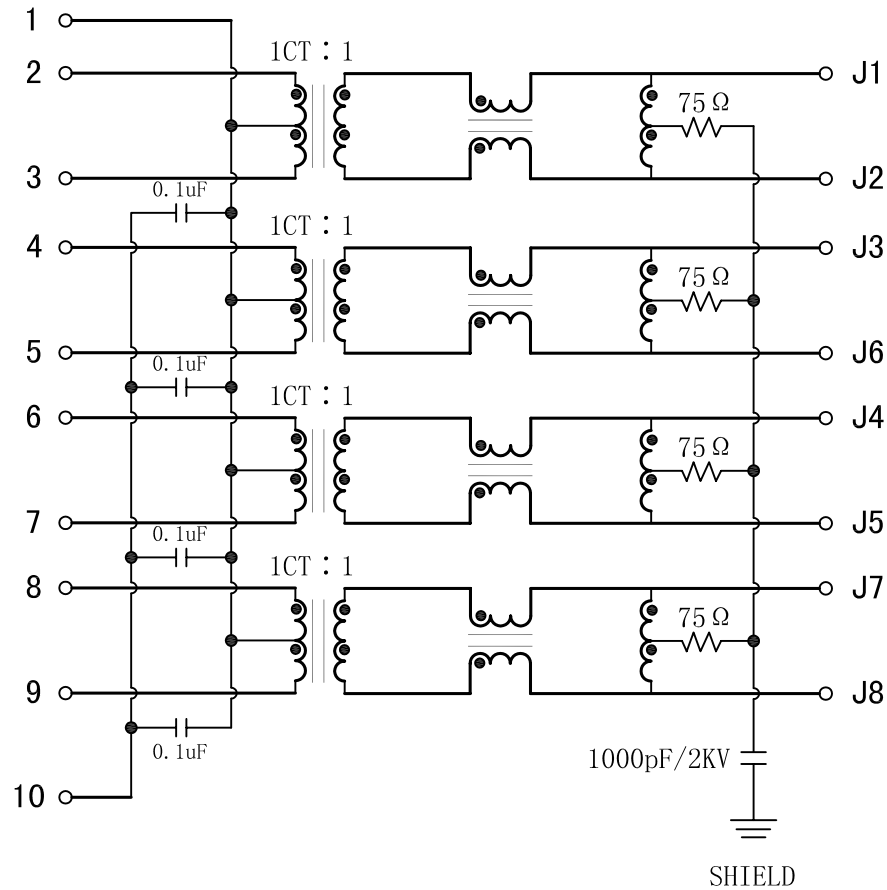


Schematic:

| REV. | ECN NO. | DESCRIPTION | DATE | APPD |
|------|---------|-------------|------------|------|
| A | REL | | 12/12/2009 | TOM |



Electrical Specifications:

TEST NOTES (25±5°C)

- TR: (100KHz, 0.1V):
TX=1CT : 1 ±2% RX=1CT : 1 ±2%
- LX (100KHz, 100mV, 8mA, DC Bias):
350uH MIN
- HIPOT: 1500VAC FOR 60 SECONDS
- INSERTION LOSS:
-1.0dB MAX @ 1.0MHz TO 100MHz
- RETURN LOSS:
-18dB MIN @ 1MHz TO 30MHz
-16dB MIN @ 30MHz TO 60MHz
-12dB MIN @ 60MHz TO 80MHz
- CROSS TALK:
-40dB MIN @ 1MHz TO 10MHz
-35dB MIN @ 32MHz TO 60MHz
-30dB MIN @ 60MHz TO 100MHz
- COMMON TO COMMON MODE REJECTION:
-30dB MIN @ 1MHz TO 50MHz
-20dB MIN @ 50MHz TO 150MHz
- OPERATING TEMPERATURE: 0°C ~ 70°C.

| | | | | |
|--------|------------|------------|--|-----------|
| X:X | ±0.30 | APPD: | LINK-PP INT'L TECHNOLOGY CO., LIMITED | |
| X:XX | ±0.20 | CHKD: | Title: RJ45 10/100/1000BASE-TX JACK/ Dual USB Combo | |
| X:XXX | ±0.10 | DR: TOM | PART NO. : LPJU5202BONL | |
| ANGLES | ±1° | UNIT: mm | | |
| | SCALE: 2/1 | SHEET: 1/2 | REV: A | DWG NO. : |

