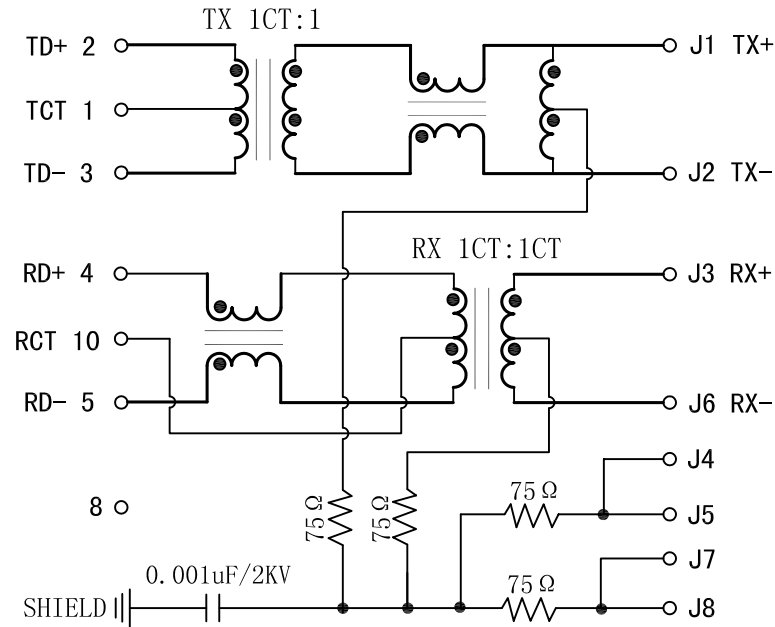


Schematic:

REV.	ECN NO.	DESCRIPTION	DATE	APPD
A	REL		2010/06/29	

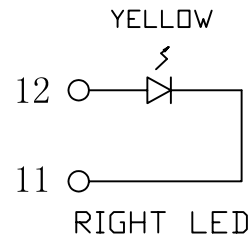
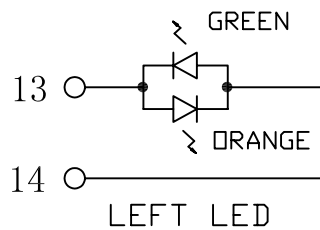
PC BOARD CONNECTIONS



RJ45 CONNECTOR

ELECTRICAL SPECIFICATIONS @25°C

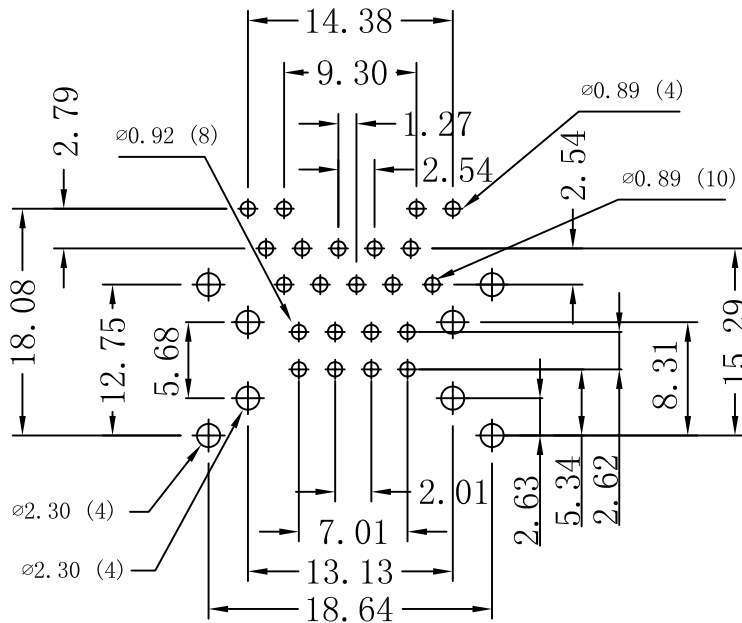
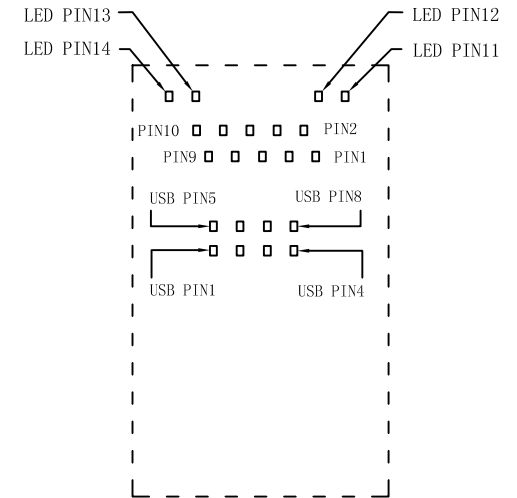
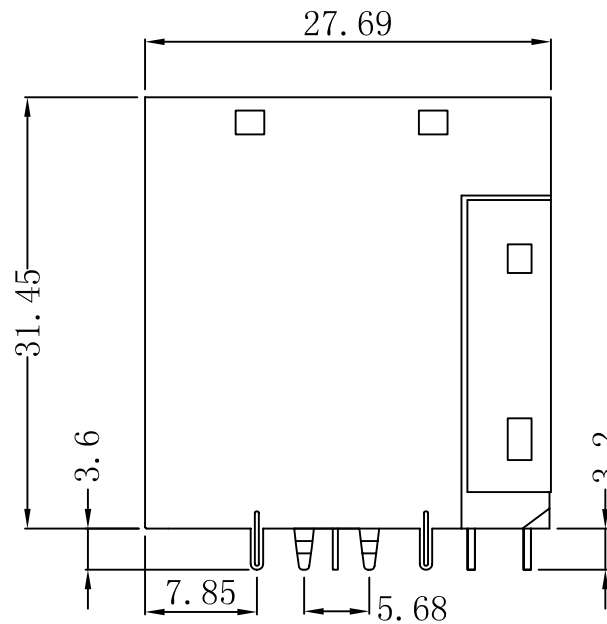
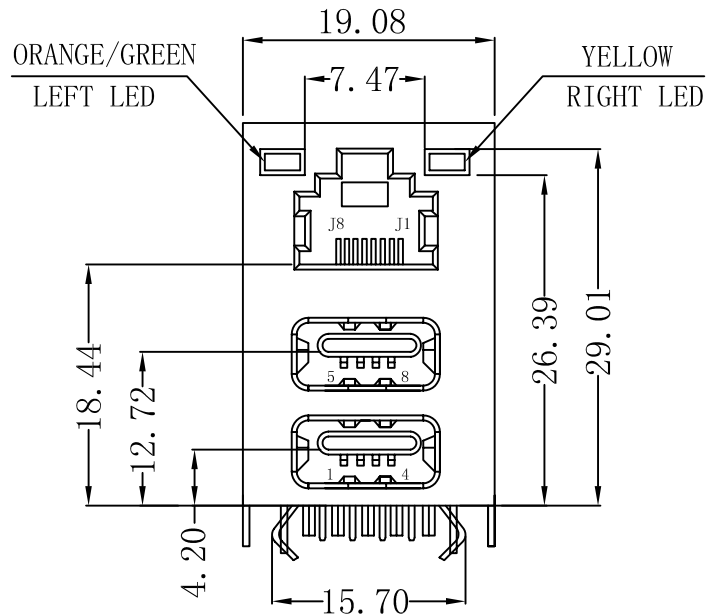
- Turn Ratio ($\pm 2\%$):
TX=1CT : 1 RX=1CT : 1CT
- Inductance OCL: 350uH MIN
@100KHz, 0.1V, 8mA DC Bias.
- Insertion Loss:
-1.0dB MAX @1~100MHz
- Return Loss:
-18dB MIN @1~30MHz
-16dB MIN @30~60MHz
-12dB MIN @60~80MHz
- Cross talk:
-40dB MIN @1~10MHz
-35dB MIN @32~60MHz
-30dB MIN @60~100MHz
- Common To Common Mode Rejection:
-30dB MIN @1~50MHz
-20dB MIN @50~150MHz
- Hipot Test: 1500VAC
- Operating Temperature: 0°C ~ 70°C.



X:X	± 0.25	APPD:	LINK-PP INT'L TECHNOLOGY CO., LIMITED	
X:XX	± 0.20	CHKD:	TITLE: RJ45 10/100 Base-TX Jack/ Dual USB Combo	
X:XXX	± 0.05	DR: TOM	PART NO.: LPJU5103BONL	
ANGLES	$\pm 1^\circ$	UNIT: mm		
	SCALE: 2/1	SHEET: 1/2	REV: A	DWG NO.: LP10062912

Mechanical :

REV.	ECN NO.	DESCRIPTION	DATE	APPD
A	REL		2010/06/29	



SUGGESTED PCB LAYOUT (TOP VIEW)



NOTES:

1. Designed to support application, such as SOHO (ADSL modems), LAN-on-Motherboard (LOM), hub and Switches.
2. Meets IEEE 802.3 specification
3. Connector Materials:
 Housing: Thermoplastic UL94V-0
 Contact/Shield: Copper alloy
 Shield plating: Nickel
 RJ-45 Contact plating: Gold 6 micro-inches min. In contact area
 USB Contact plating: Gold Flash.
4. Wave peak temperature: 260°C, 5Sec.

X:X	±0.25	APPD:	LINK-PP INT'L TECHNOLOGY CO., LIMITED
X:XX	±0.20	CHKD:	
X:XXX	±0.05	DR: TOM	TITLE: RJ45 10/100 Base-TX Jack/ Dual USB Combo
ANGLES	±1°	UNIT: mm	PART NO.: LPJU5103BONL
	SCALE: 2/1	SHEET: 2/2	REV: A
			DWG NO.: LP10062912