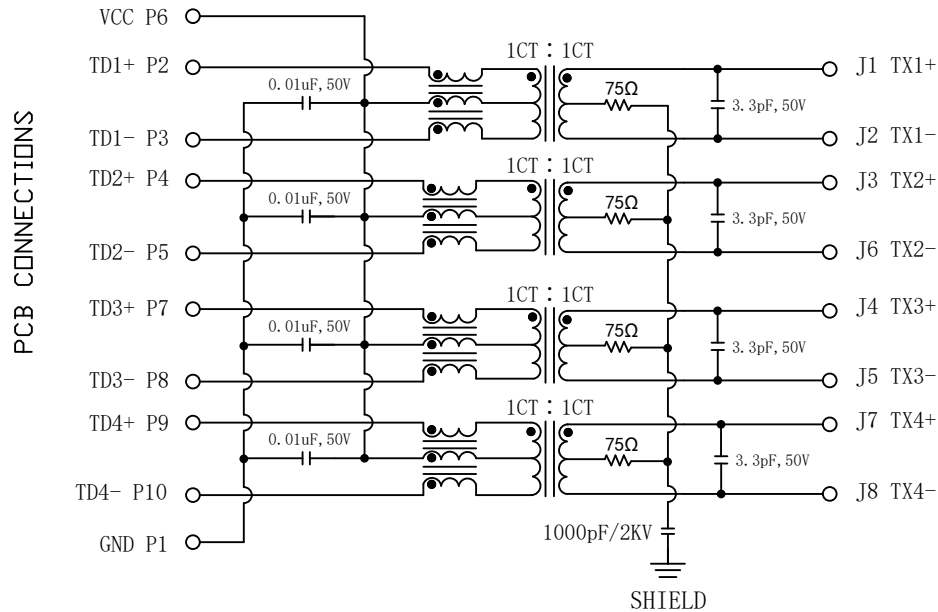


Schematic:

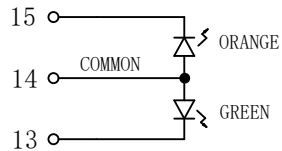
REV.	ECN NO.	DESCRIPTION	DATE	APPD
A	REL		2011-07-02	



RJ45 CONNECTOR

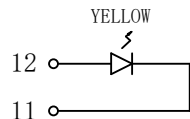
ELECTRICAL SPECIFICATIONS @25°C

- Turn Ratio:
Pri : Sec = 1CT : 1CT
- Inductance OCL: 350uH MIN
@100KHz 100mV 8mA DC Bias
- Insertion Loss:
-1.1dB MAX @ 0.5-100MHz
- Return Loss(@load 100 Ω):
-18dB MIN @ 0.5-40MHz
-12-20LOG (f/80) dB MIN @ 40.1-100MHz
- Cross talk:
-35dB MIN @ 0.5-40MHz
-33-20LOG (f/50) dB MIN @ 40.1-100MHz
- Common Mode Rejection Ratio(CMRR):
-30dB MIN @ 0.5-100MHz
- Hipot Test: 1500Vrms
- Operating Temperature Range: 0°C TO 70°C



LEFT LED

LED POLARITY			COLOR
PIN 13	PIN 14	PIN 15	
-	+	/	GREEN
/	+	-	ORANGE



RIGHT LED

LED POLARITY		COLOR
PIN 12	PIN 11	
+	-	YELLOW

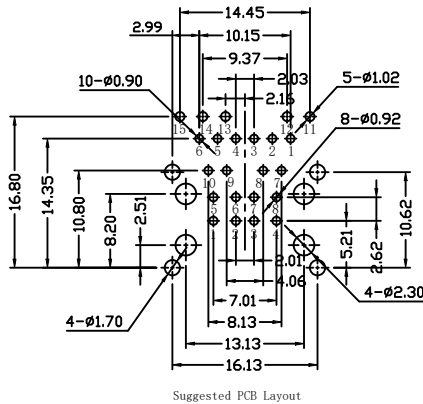
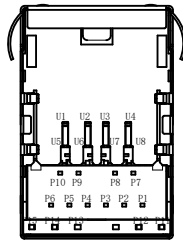
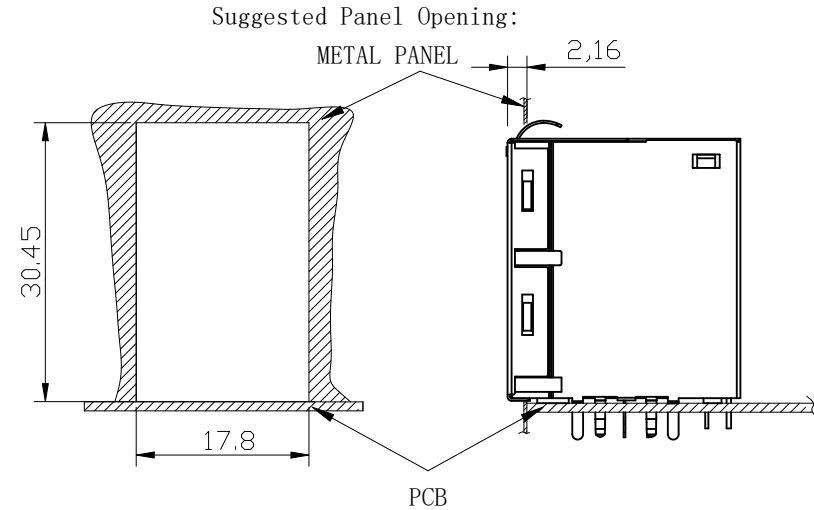
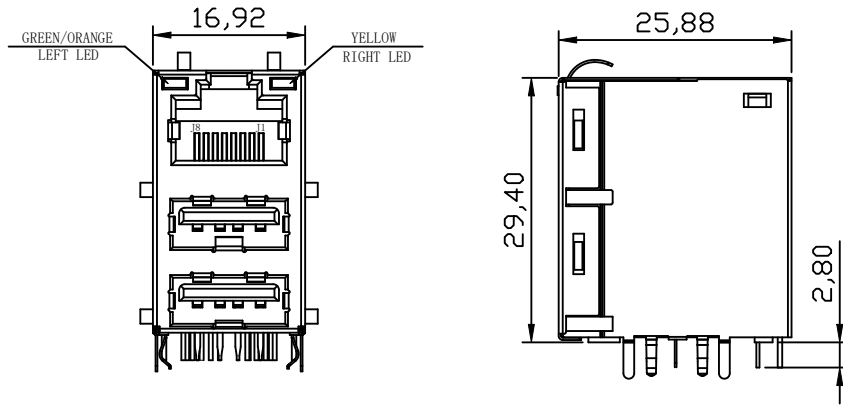


Emitting Color	λp(nm)	V _F @I _F =20mA	IR @V _R =5V
Green/Orange	570/610	1.8~2.6V	10 μA max
Yellow	585	1.8~2.6V	10 μA max

X:X ±0.30	APPD: TOM	LINK-PP INT'L TECHNOLOGY CO., LIMITED
X:XX ±0.25	CHKD: JAMES	
X:XXX ±0.05	DR: LEO	TITLE: RJ45 Connector with 1000 Base-TX Jack/Dual USB Combo
ANGLES ±1°	UNIT: mm	PART NO.: LPJU4203A64NL
	SCALE: 2/1	SHEET: 1/2
	REV: A	DWG NO.: LP11070211

Mechanical:

REV.	ECN NO.	DESCRIPTION	DATE	APPD
A	REL		2011-07-02	



NOTES:

1. Designed to support application, such as SOHO (ADSL modems), LAN-on-Motherboard (LOM), hub and Switches.
2. Meets IEEE 802.3 specification
3. Connector Materials:
 Housing: Thermoplastic PBT+30%G.F UL94V-0
 Contact: Phosphor Bronze C5210R-EH Thickness=0.35mm
 Pins: Brass C2680R-H Thickness=0.35mm
 Shield: SUS 201-1/2H Thickness=0.2mm
 Contact plating: Gold 6 micro-inches min. In contact area.
 USB Contact plating: Gold Flash.
4. Wave solder tip temperature: 250°C, 5 Sec.
5. UL Certification: File Number E484635.



X:X	±0.30	APPD: TOM	LINK-PP INT'L TECHNOLOGY CO., LIMITED
X:XX	±0.25	CHKD: JAMES	
X:XXX	±0.05	DR: LEO	TITLE: RJ45 Connector with 1000 Base-TX Jack/Dual USB Combo
ANGLES	±1°	UNIT: mm	PART NO.: LPJU4203A64NL
	SCALE: 2/1	SHEET: 2/2	REV: A DWG NO.: LP11070211