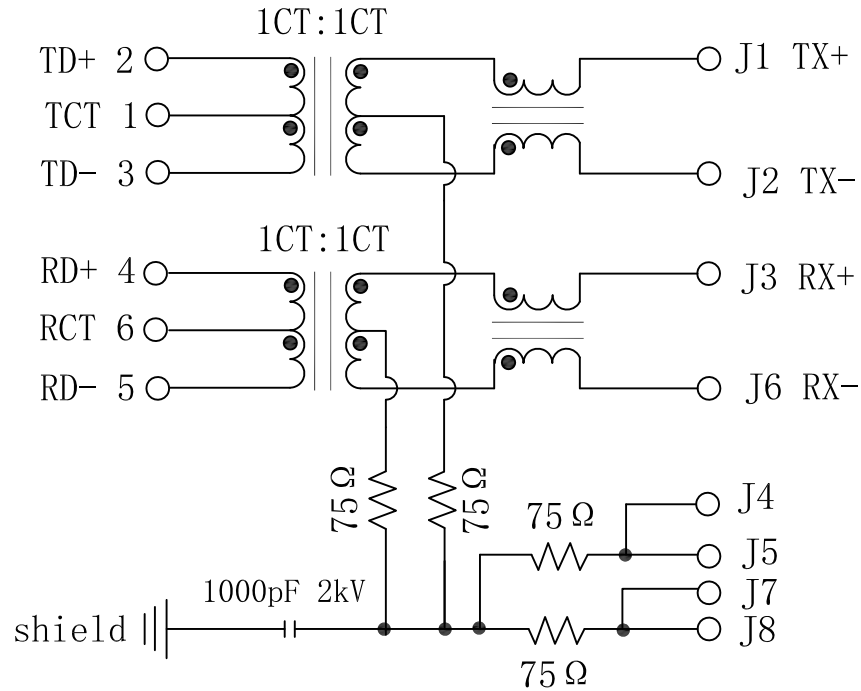


Schematic:

REV.	ECN NO.	DESCRIPTION	DATE	APPD
A	REL		01/10/2009	

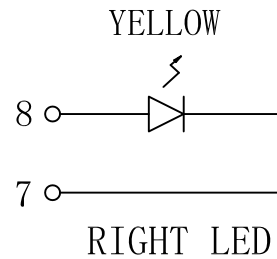
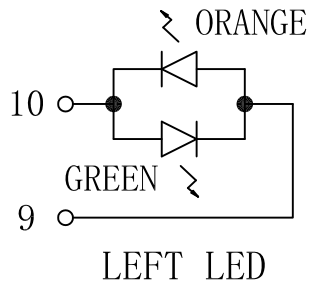
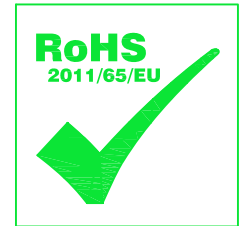
CHIP SIDE



CABLE SIDE

ELECTRICAL SPECIFICATIONS @25°C

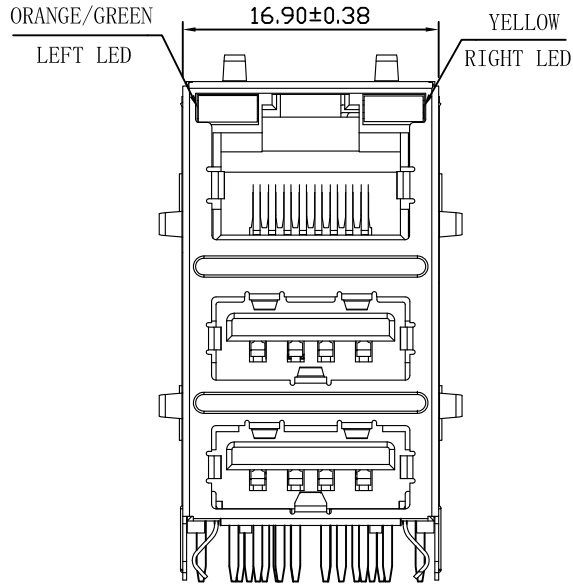
- Turn Ratio($\pm 2\%$):
TX=1CT:1 RX=1CT:1CT
- Inductance OCL:
350uH MIN@100KHz/0.1V 8mA DC Bias
- Insertion Loss:
-1.0dB MAX @ 1.0-100MHz
- Return Loss:
-18dB MIN @ 1-30MHz
-15dB MIN @ 30-60MHz
-12dB MIN @ 60-80MHz
-10dB MIN @ 80-100MHz
- Cross talk:
-35dB MIN @ 1-100MHz
- Common Mode Rejection:
-40dB MIN @ 30MHz
-35dB MIN @ 60MHz
-30dB MIN @ 100MHz
- Hipot Test:1500VAC 2Ses
- LED Lamp:
Wave Length: ORANGE/GREEN: 610nm/570nm
YELLOW: 585nm
Forward Voltage(Vf):
1.8V-2.6V (Test Condition: 20mA)
- Operating Temperature Range: 0°C TO 70°C



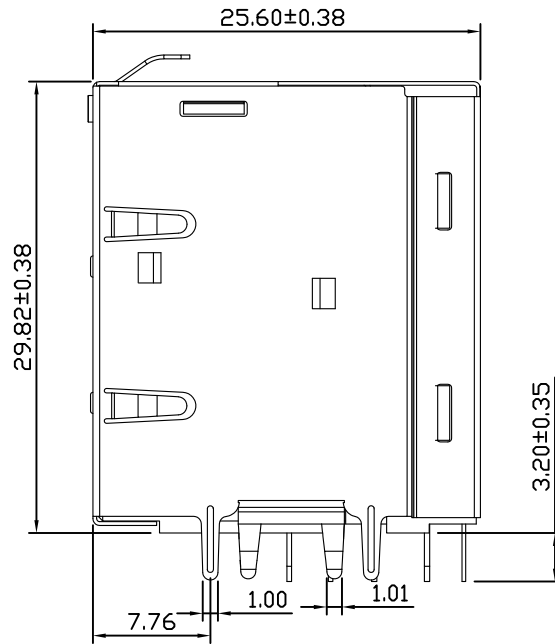
X:X	± 0.25	APPD:	LINK-PP	
X:XX	± 0.20	CHKD:	LINK-PP INT'L TECHNOLOGY CO., LIMITED	
X:XXX	± 0.05	DR: TOM	TITLE: RJ45 10/100 Base-TX Jack/Dual USB Combo	
ANGLES	$\pm 1^\circ$	UNIT: mm	PART NO. : LPJU4111AONL	
	SCALE: 2/1	SHEET: 1/2	REV: A	DWG NO. : LP09101008

Mechanical:

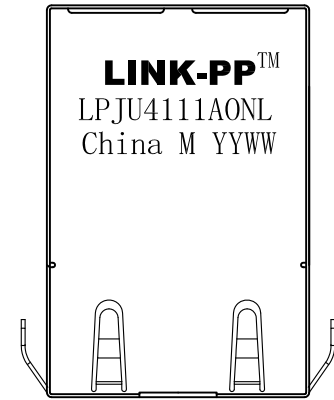
REV.	ECN NO.	DESCRIPTION	DATE	APPD
A	REL		10/10/2009	



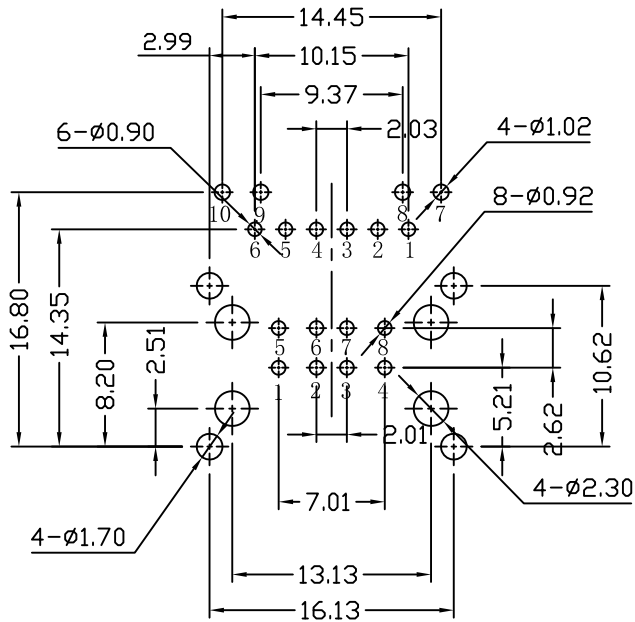
Front Side View



Left Side View



Top Side View



Suggested PCB Layout (Top View)



NOTES:

1. Designed to support application, such as SOHO (ADSL modems), LAN-on-Motherboard (LOM), hub and Switches.
2. Meets IEEE 802.3 specification
3. Connector Materials:
 Housing Material: Thermoplastic PBT+30%G.F UL94V-0
 Contact Material: Phosphor Bronze C5210R-EH Thickness=0.35mm
 Pins: Brass C2680R-H Thickness=0.25mm
 Shield: SUS S304-1/2H Thickness=0.2mm
 Contact plating: Gold 6 micro-inches min. In contact area.
 USB Contact plating: Gold Flash
4. Wave solder tip temperature: 265°C Max, 5 Sec Max.
5. UL Certification: File Number E484635.

X:X ±0.25	APPD:	LINK-PP LINK-PP INT'L TECHNOLOGY CO., LIMITED
X:XX ±0.20	CHKD:	
X:XXX ±0.05	DR: TOM	
ANGLES ±1°	UNIT: mm	TITLE: RJ45 10/100 Base-TX Jack/Dual USB Combo
		PART NO.: LPJU4111AONL
	SCALE: 2/1	SHEET: 2/2
	REV: A	DWG NO.: LP09101008