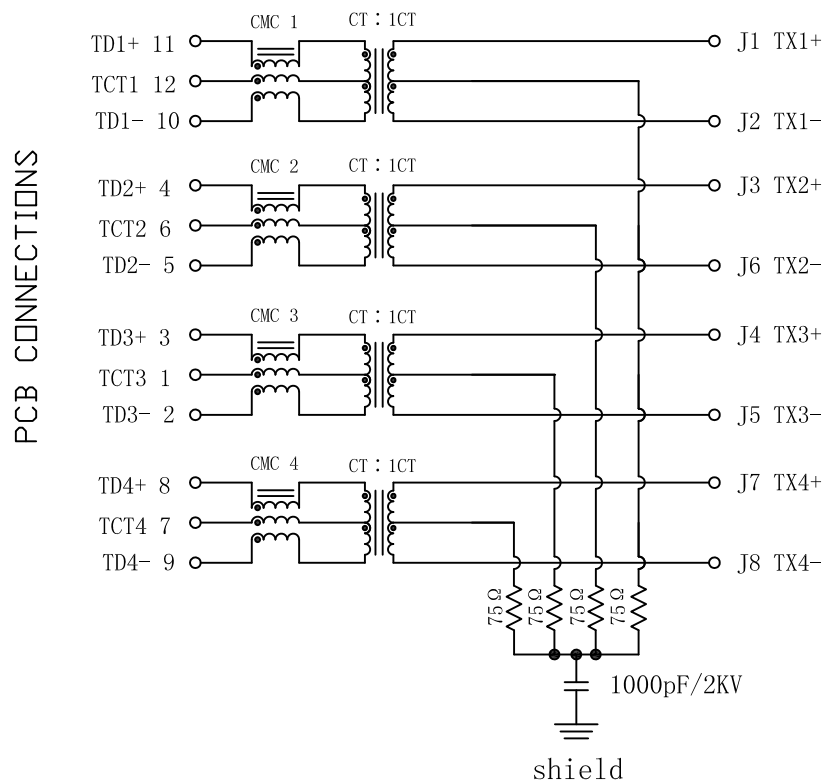


Schematic:

REV.	ECN NO.	DESCRIPTION	DATE	APPD
A	REL		2013/06/29	

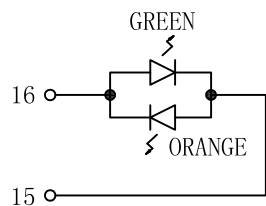


PCB CONNECTIONS

RJ45 CONNECTOR

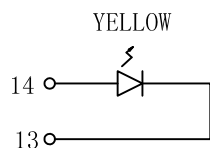
ELECTRICAL SPECIFICATIONS @25°C

1. Turn Ratio: 1CT : 1CT
2. Inductance OCL: 350uH MIN @100KHz/0.1V, 8mA DC Bias
3. Insertion Loss: -1.1dB MAX @ 0.5~100MHz
4. Return Loss: -18dB MIN @ 0.5~40MHz
-12-20LOG(f/80)dB MIN @ 40.1~100MHz
5. Cross talk: -35dB MIN @ 0.5~40MHz
-33-20LOG(f/50)dB MIN @ 40.1~100MHz
6. Common Mode Rejection Ratio(CMRR): -30dB MIN @ 0.5~100MHz
7. Hipot Test: 1500Vrms
8. Operating Temperature: -40°C TO +85°C



LEFT LED

LED POLARITY		COLOR
PIN 16	PIN 15	
+	-	GREEN
-	+	ORANGE



RIGHT LED

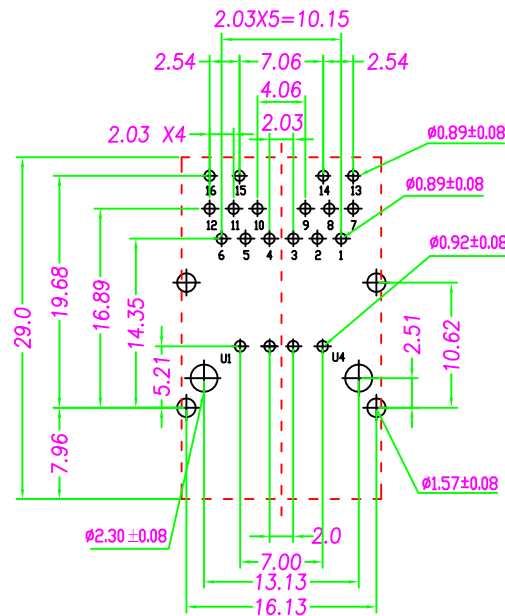
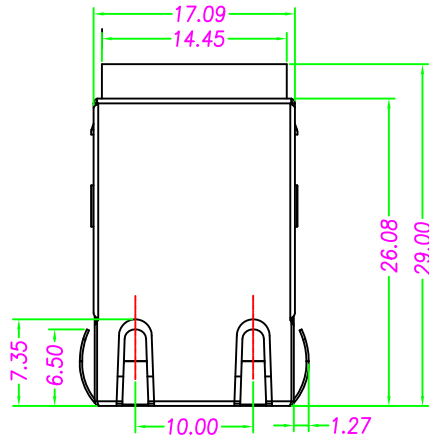
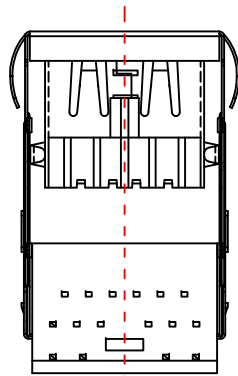
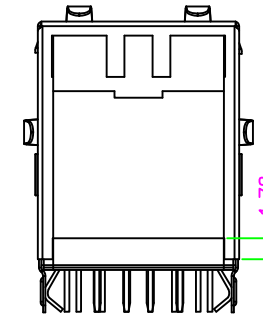
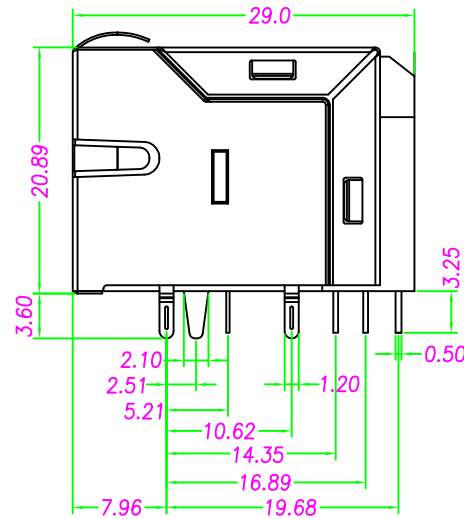
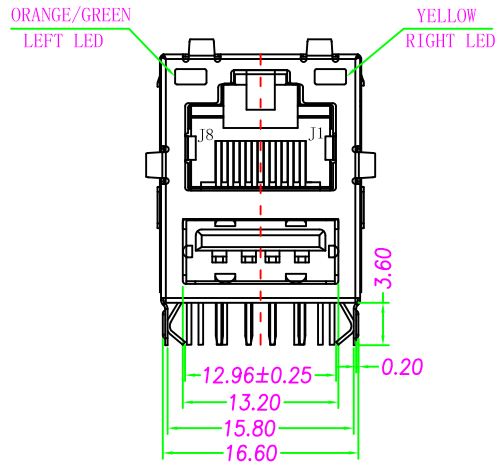
LED POLARITY		COLOR
PIN 14	PIN 13	
+	-	YELLOW

Emitting Color	λ p(nm)	VF@IF=20mA	IR @VR=5V
Orange/Green	610/570	1.8~2.6V	10 μ A max
Yellow	585	1.8~2.6V	10 μ A max

X:X	± 0.30	APPD:	LINK-PP INT'L TECHNOLOGY CO., LIMITED	
X:XX	± 0.25	CHKD:	TITLE: RJ45/Single USB Jack With 1000 Magnetics	
X:XXX	± 0.10	DR: TOM	PART NO.: LPJU3836AONL	
ANGLES	$\pm 1^\circ$	UNIT: mm		
SCALE: 2/1		SHEET: 1/2	REV: A	DWG NO.: LP13062922

Mechanical :

REV.	ECN NO.	DESCRIPTION	DATE	APPD
A	REL		2013/06/29	



SUGGESTED PCB LAYOUT <TOP VIEW>

NOTES:

1. Designed to support application, such as SOHO (ADSL modems), LAN-on-Motherboard (LOM), hub and Switches.
2. Meets IEEE 802.3 specification
3. Connector Materials:
Housing: Thermoplastic UL94V-0
Contact/Shield: Copper alloy
Shield plating: Nickel
RJ-45 Contact plating: Gold 6 micro-inches min. In contact area
USB Contact plating: Gold Flash
4. Wave solder tip temperature and time: 265°C MAX, 5 Sec MAX.

X:X	±0.30	APPD:	LINK-PP INT'L TECHNOLOGY CO., LIMITED	
X:XX	±0.25	CHKD:	TITLE: RJ45/Single USB Jack With 1000 Magnetics	
X:XXX	±0.10	DR: TOM	PART NO.: LPJU3836AONL	
ANGLES	±1°	UNIT: mm		
	SCALE: 2/1	SHEET: 2/2	REV: A	DWG NO.: LP13062922