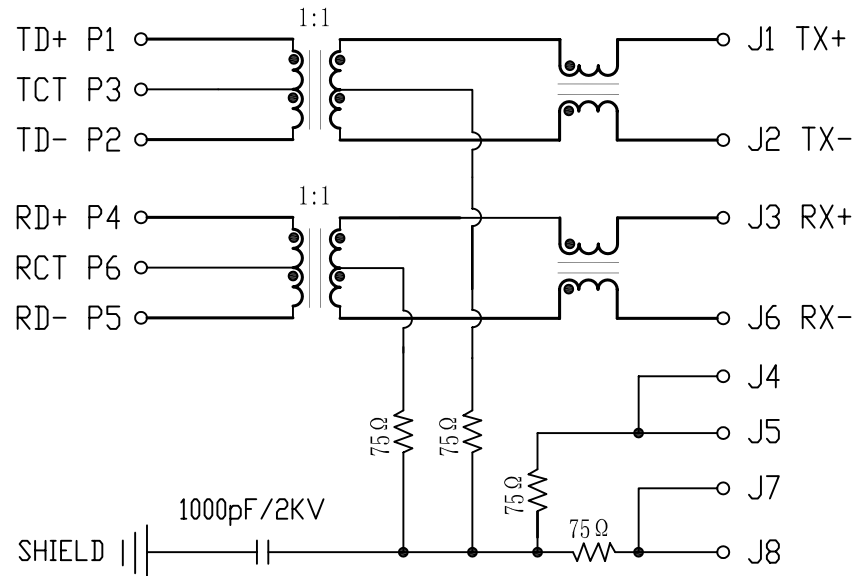


Schematic:

REV.	ECN NO.	DESCRIPTION	DATE	APPD
A	REL		2013/06/26	

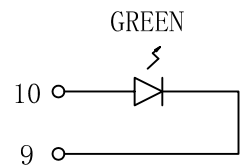
PCB CONNECTIONS



RJ45 CONNECTOR

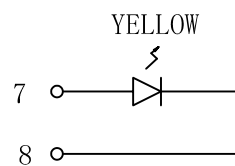
Electrical Specifications @25°C

1. OCL (@100KHz, 100mV, 8mA DC BIAS):
350uH Min
2. Turns Ratio ($\pm 2\%$):
TX=1CT:1CT RX=1CT:1CT
3. Insertion Loss:
1~100MHz: -1.0dB Max
4. Return Loss (dB Min @100Ω):
1~30MHz: -18; 30~60MHz: -16;
60~80MHz: -12
5. Crosstalk:
1~100MHz: -30dB Min
6. Common Mode Rejection:
1~100MHz: -30dB Min
7. Hi-Pot: 1500Vrms @60Hz
8. Operating Temperature: 0°C ~70°C.



LEFT LED

LED POLARITY		COLOR
PIN 10	PIN 9	
+	-	GREEN



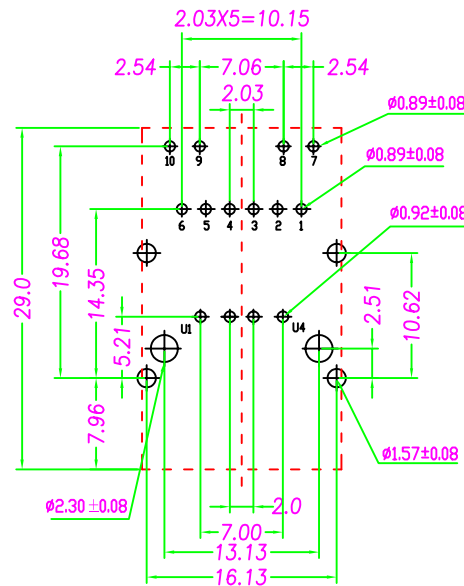
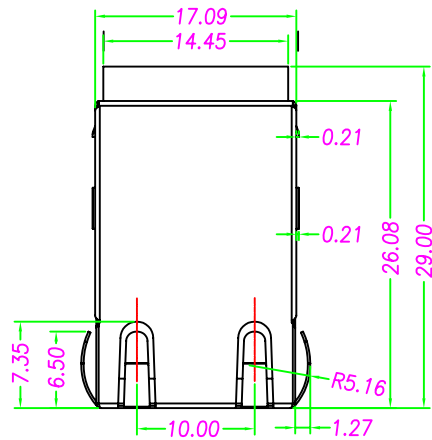
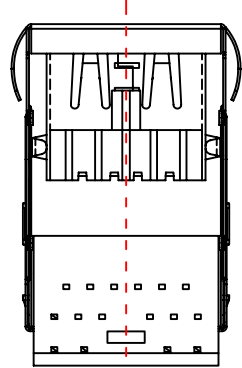
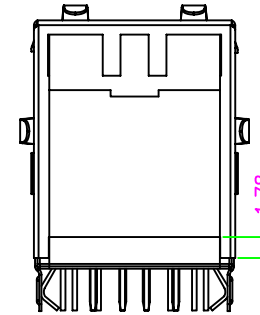
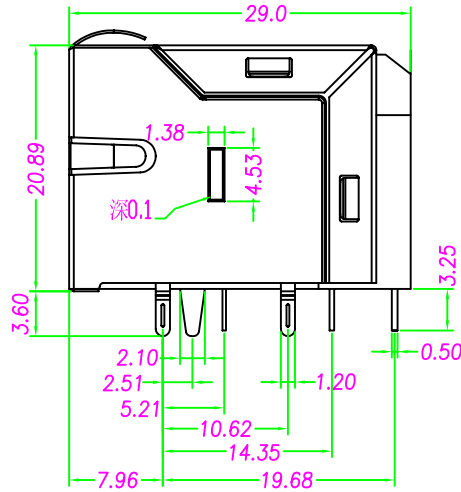
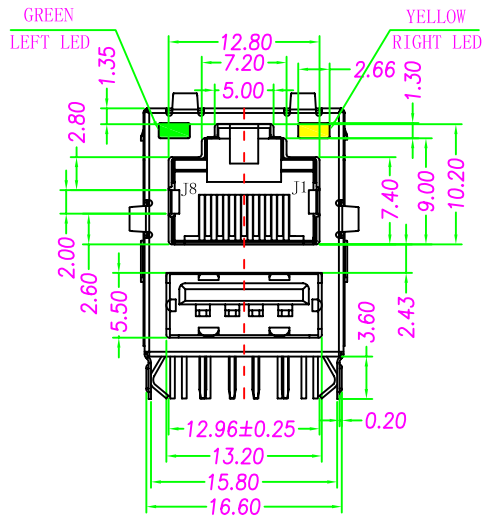
RIGHT LED

LED POLARITY		COLOR
PIN 7	PIN 8	
+	-	YELLOW

X:X	± 0.30	APPD:	LINK-PP INT'L TECHNOLOGY CO., LIMITED
X:XX	± 0.20	CHKD:	
X:XXX	± 0.10	DR: TOM	TITLE: RJ45/Single USB Jack With 10/100 Magnetics
ANGLES	$\pm 1^\circ$	UNIT: mm	PART NO.: LPJU3102ABNL
	SCALE: 2/1	SHEET: 1/2	REV: A DWG NO.: LP13062601

Mechanical:

REV.	ECN NO.	DESCRIPTION	DATE	APPD
A	REL		2013/06/26	



SUGGESTED PCB LAYOUT (TOP VIEW)

NOTES:

1. Designed to support application, such as SOHO (ADSL modems), LAN-on-Motherboard (LOM), hub and Switches.
2. Meets IEEE 802.3 specification
3. Connector Materials:
Housing: Thermoplastic UL94V-0
Contact/Shield: Copper alloy
Shield plating: Nickel
RJ-45 Contact plating: Gold 6 micro-inches min. In contact area
USB Contact plating: Gold Flash
4. Wave solder tip temperature and time: 265°C MAX, 5 Sec MAX.

X:X	±0.30	APPD:	LINK-PP INT'L TECHNOLOGY CO., LIMITED	
X:XX	±0.20	CHKD:	TITLE: RJ45/Single USB Jack With 10/100 Magnetics	
X:XXX	±0.10	DR: TOM	PART NO.: LPJU3102ABNL	
ANGLES	±1°	UNIT: mm		
	SCALE: 2/1	SHEET: 2/2	REV: A	DWG NO.: LP13062601