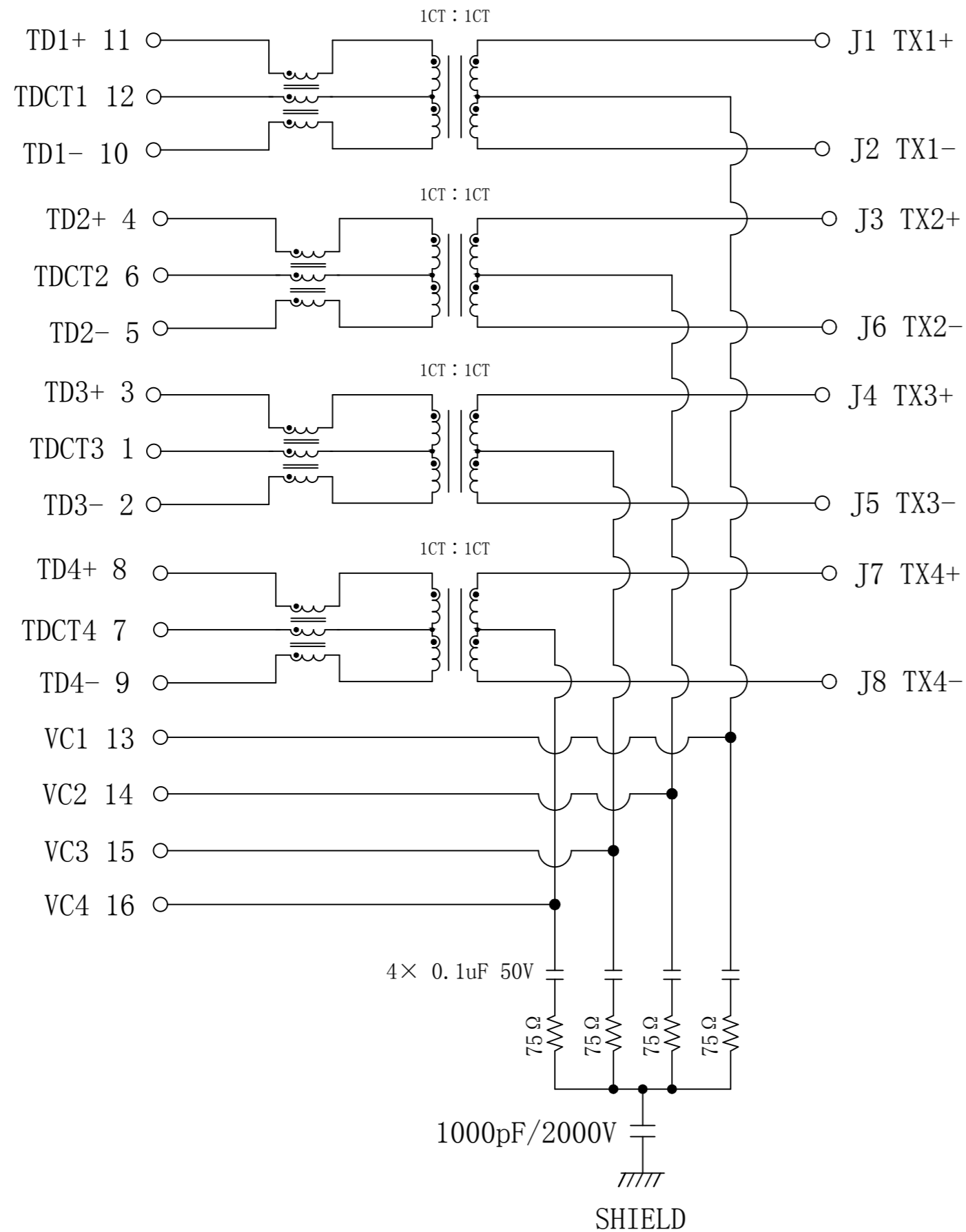


Schematic:

REV.	ECN NO.	DESCRIPTION	DATE	APPD
A6	REL		2023-03-19	

PC BOARD CONNECTIONS

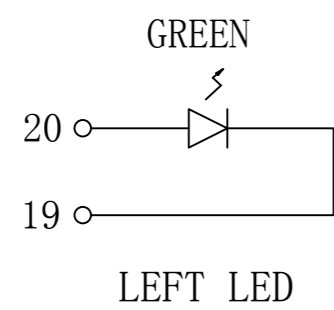


RJ45 CONNECTOR

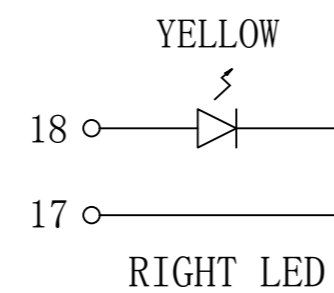
ELECTRICAL SPECIFICATIONS @25°C

- Turn Ratio : 1CT:1CT $\pm 5\%$
- OCL: 200uH Min @100KHz , 0.1V
- Insertion Loss (dB Max):
1-100MHz: -1.0 100-125MHz: -1.5
- Return Loss(dB Min):
1-30MHz: -16 30-100MHz: -12
100-150MHz: -10
- Cross Talk:
1-125MHz: -25dB Min.
- Common Mode Rejection(dB Min):
1-125MHz: -30
- Common Mode to Differential Mode Rejection(dB Min):
1-100MHz: -30 100-125MHz: -25.
- Balance DC Line current:
720mA Max @57VDC Continuous.
- Isolation PHY SIDE To Line SIDE : 1500Vrms
- Operating Temperature Range: 0°C ~ +70°C.

Emitting Color	λ_p (nm)	V _F @I _F =20mA	I _R @V _R =5V
GREEN	565	1.8~2.6V	10 μ A max
YELLOW	585	1.8~2.6V	10 μ A max



LED POLARITY		COLOR
PIN 19	PIN 20	
-	+	GREEN



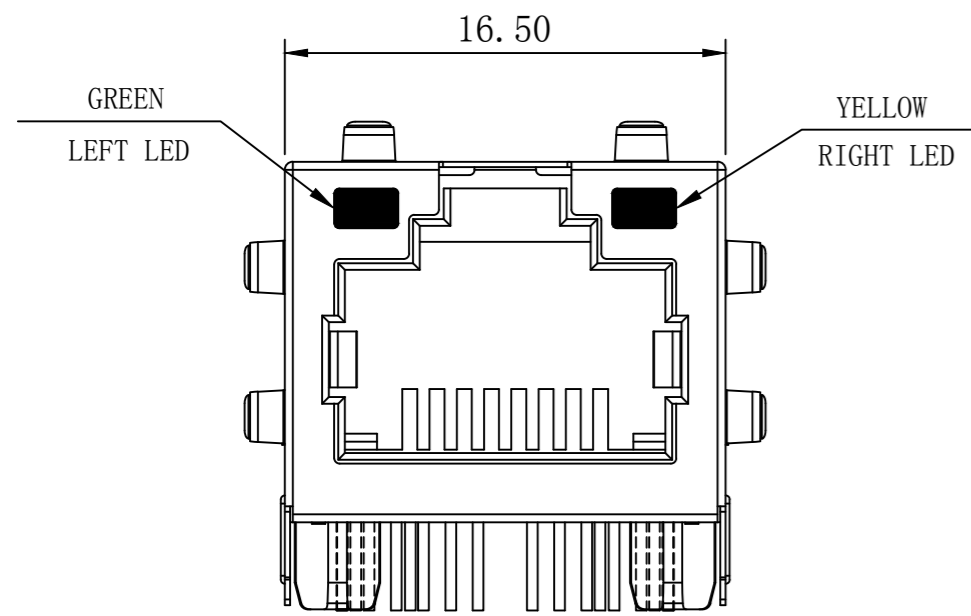
LED POLARITY		COLOR
PIN 17	PIN 18	
-	+	YELLOW



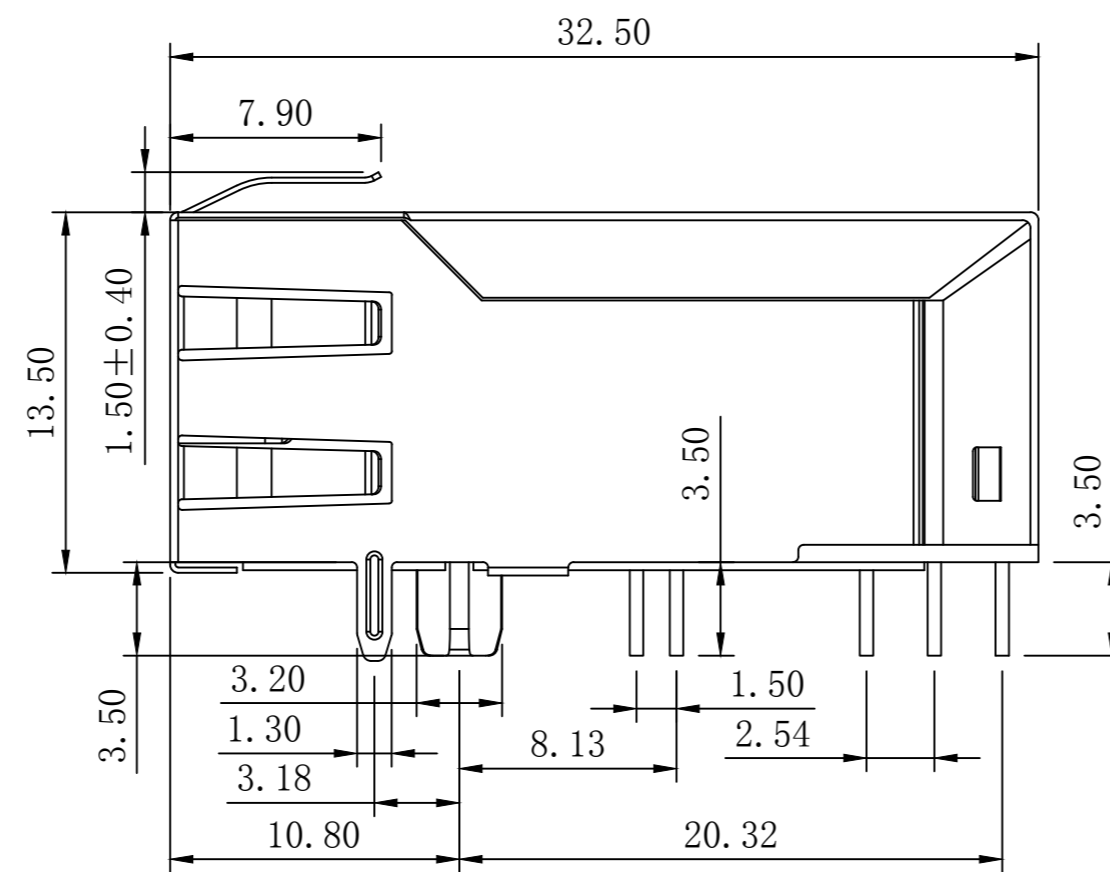
X:X ± 0.30	APPD: TOM	LINK-PP INT'L TECHNOLOGY CO., LIMITED
X:XX ± 0.25	CHKD: JAMES	
X:XXX ± 0.05	DR: LEO	TITLE: RJ45 Connector with 2.5G Base-T Integrated Magnetics For PoE+ Application
ANGLES $\pm 1^\circ$	UNIT: mm	PART NO.: LPJT95282-8AHNL
	SCALE: 2/1	SHEET: 1/2
	REV: A6	DWG NO.: LP23031953

Mechanical :

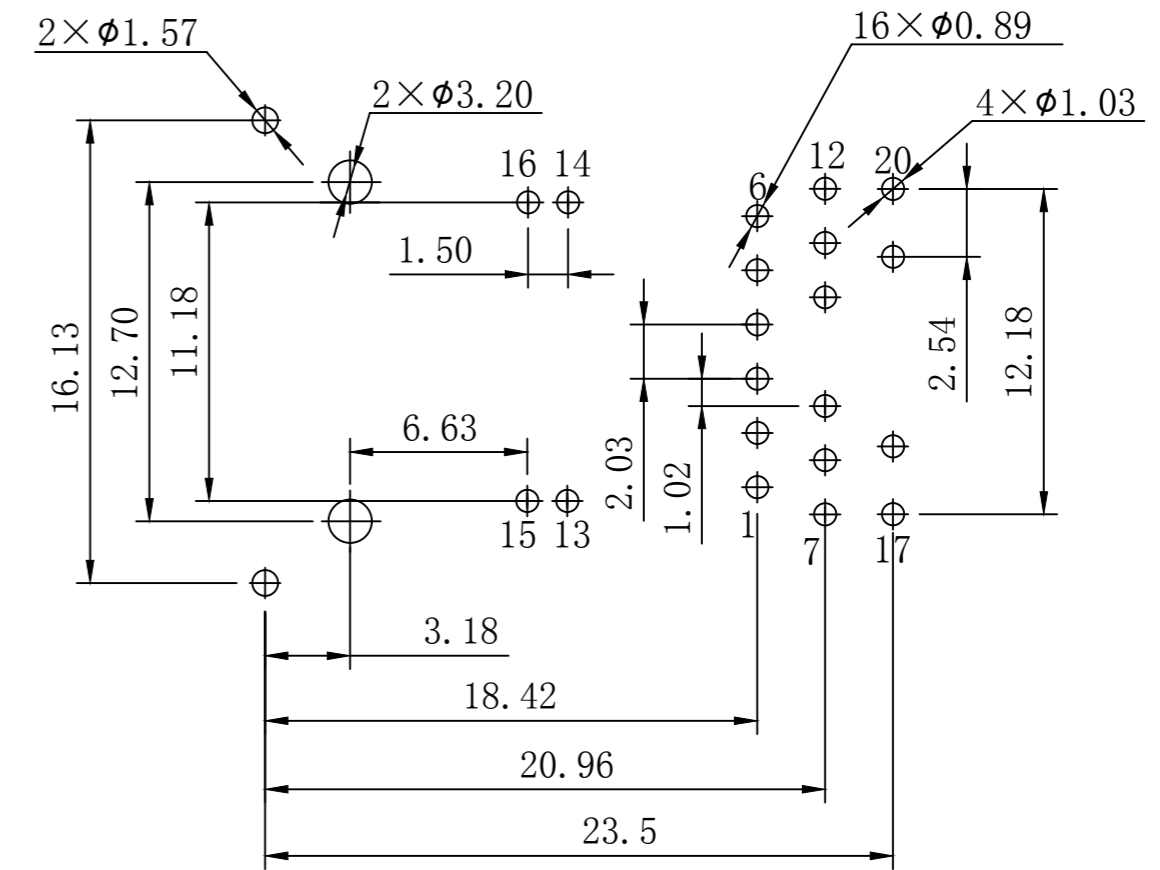
REV.	ECN NO.	DESCRIPTION	DATE	APPD
A6	REL		2023-03-19	



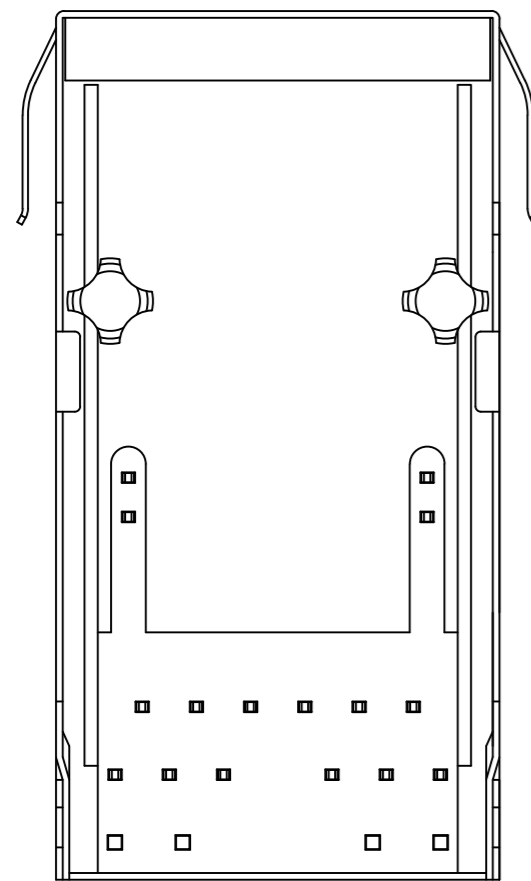
Front Side View



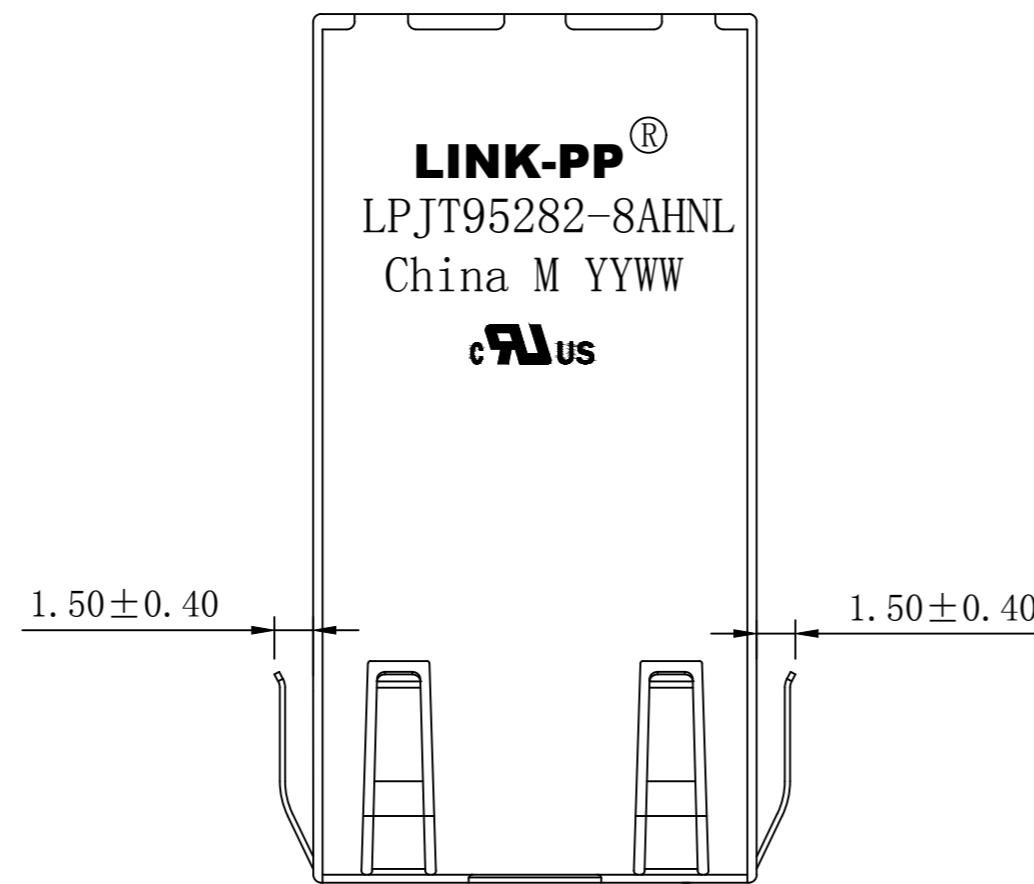
Left Side View



Suggested PCB Layout (Top View)



Bottom Side View



Top Side View



NOTES:

1. Designed to support application, such as SOHO (ADSL modems), LAN-on-Motherboard (LOM), hub and Switches.
2. Meets IEEE 802.3at specification
3. Connector Materials:
 Housing Material: Thermoplastic PBT+30%G.F UL94V-0
 Contact Material: Phosphor Bronze C5210R-EH Thickness=0.35mm
 Pins: Brass C2680R-H Thickness=0.35mm
 Shield: SUS 304 1/2EH Thickness=0.2mm
 Contact plating: Gold 6 micro-inches min. In contact area.
4. Wave solder tip temperature: 250°C, 5 Sec.
5. UL Certification: File Number E484635.

X:X ±0.30	APPD: TOM	LINK-PP INT'L TECHNOLOGY CO., LIMITED
X:XX ±0.25	CHKD: JAMES	
X:XXX ±0.05	DR: LEO	TITLE: RJ45 Connector with 2.5G Base-T Integrated Magnetics For PoE+ Application
ANGLES ±1°	UNIT: mm	PART NO.: LPJT95282-8AHNL
	SCALE: 2/1	SHEET: 2/2
	REV: A6	DWG NO.: LP23031953