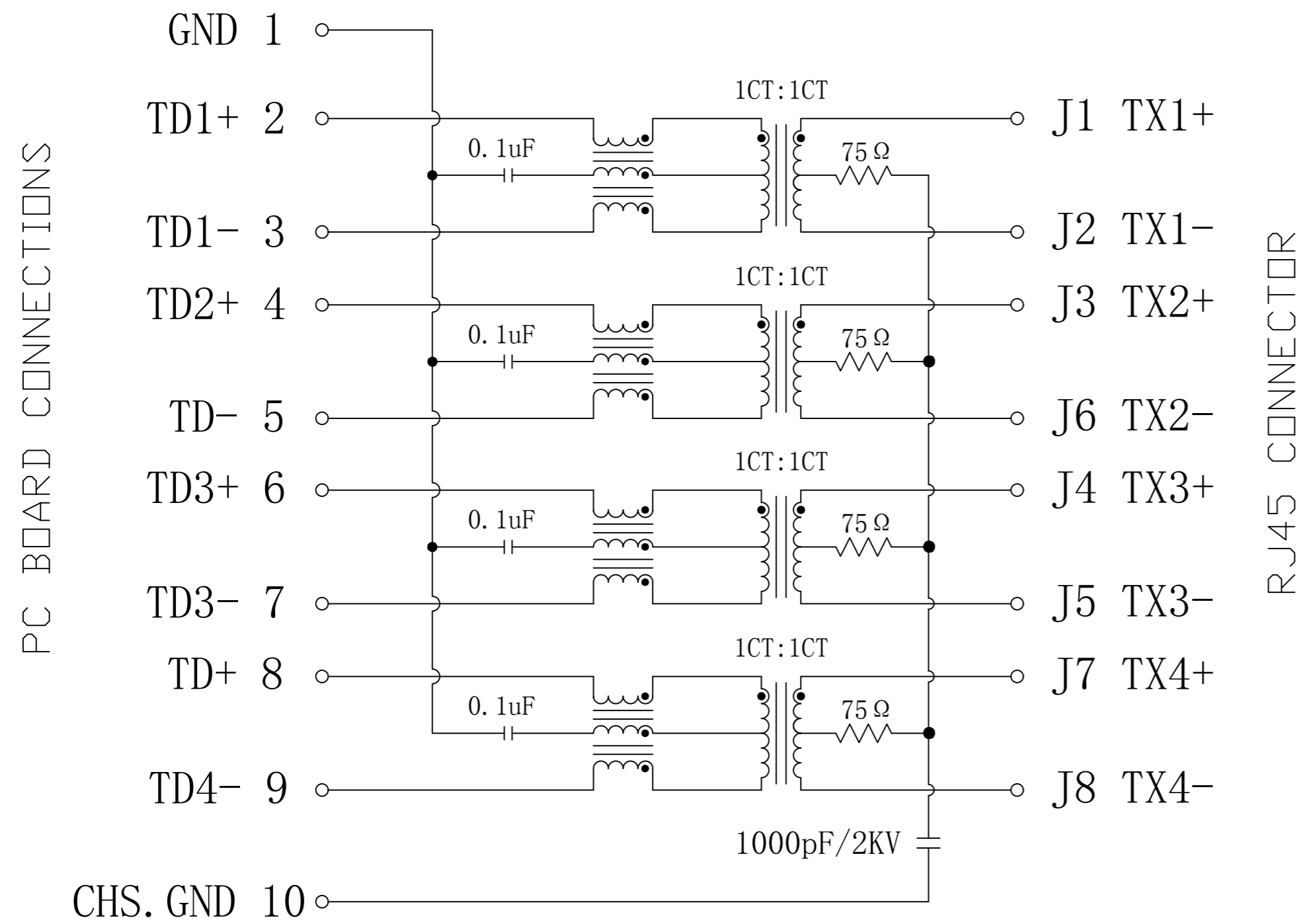


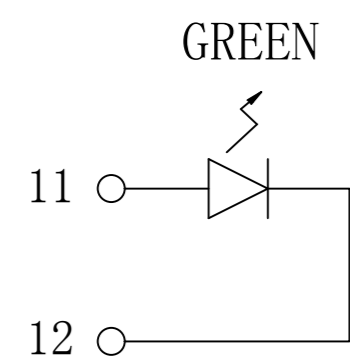
Schematic:

REV.	ECN NO.	DESCRIPTION	DATE	APPD
A	REL		2020-08-25	

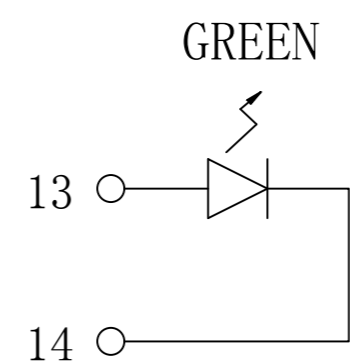


ELECTRICAL SPECIFICATIONS @25°C

- Turn Ratio($\pm 2\%$):
Pri : Sec = 1CT : 1CT
- Inductance OCL:
150uH Min @100KHz, 0.1V
- Insertion Loss(dB Max):
1~50MHz:-0.5 50~125MHz:-1.0
- Return Loss(dB Min):
1~40MHz:-20
40~200MHz:-20+15*LOG¹⁰(f/40)
- Cross talk(dB Min):
1~125MHz:-30
- Common Mode Rejection Ratio(dB Min):
30~200MHz:-30
- Common to Diff Rejection Ratio(dB Min):
10~125MHz:-45+f/35
- Isolation PHY SIDE To Line SIDE : 1500Vrms
- Operating Temperature: 0°C ~+70°C.



LEFT LED



RIGHT LED

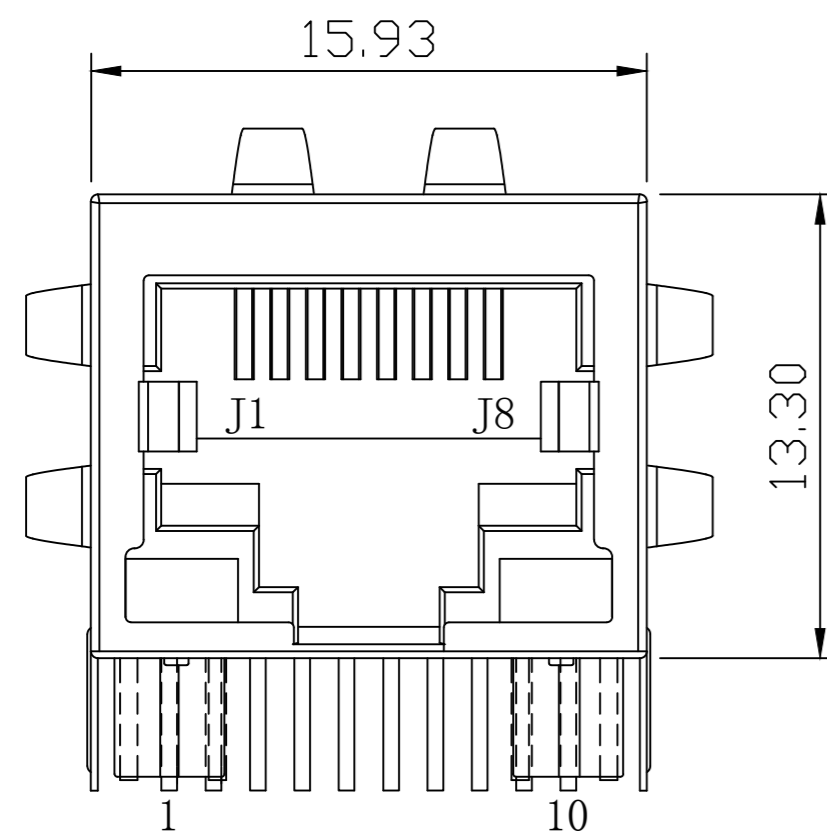
Emitting Color	λ_p (nm)	VF@IF=20mA	IR @VR=5V
GREEN	565	1.8~2.6V	10 μ A max
YELLOW	585	1.8~2.6V	10 μ A max



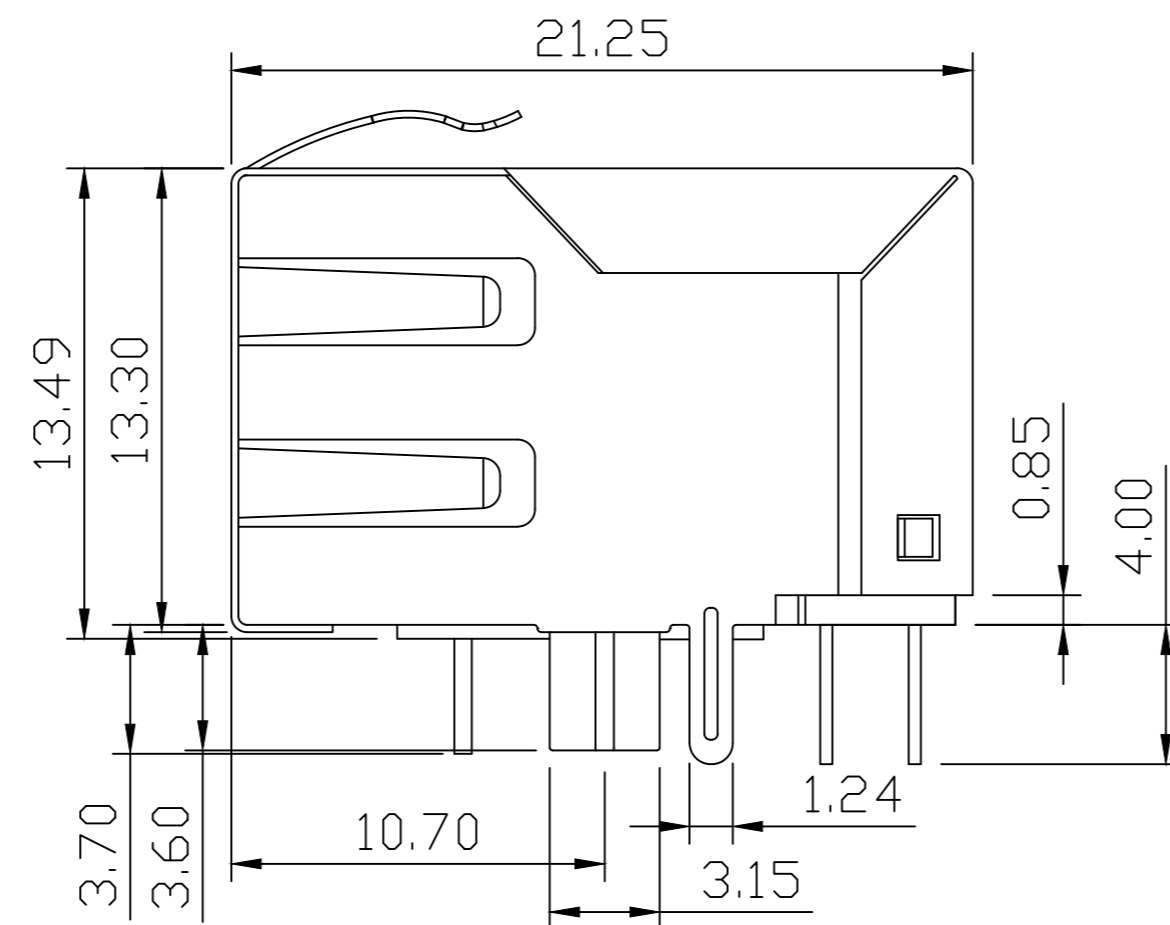
X:X	± 0.30	APPD: TOM	LINK-PP INT'L TECHNOLOGY CO., LIMITED
X:XX	± 0.25	CHKD: JAMES	
X:XXX	± 0.05	DR: LEO	
ANGLES $\pm 1^\circ$		UNIT: mm	TITLE: RJ45 Connector with 2.5G Base-T Integrated Magnetics
			PART NO.: LPJT0540-8GFNL
	SCALE: 2/1	SHEET: 1/2	REV: A
			DWG NO.: LP20082525

Mechanical:

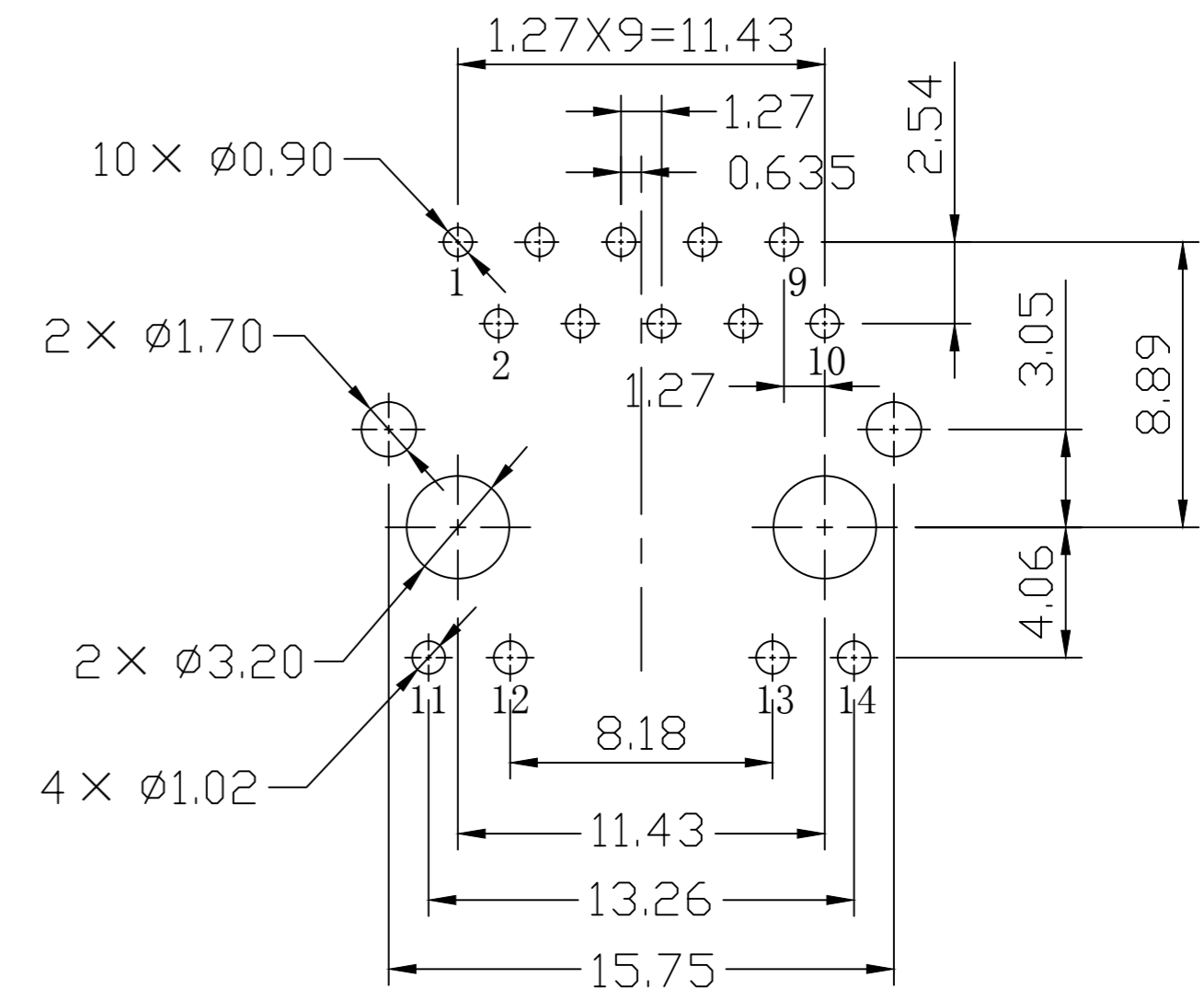
REV.	ECN NO.	DESCRIPTION	DATE	APPD
A	REL		2020-08-25	



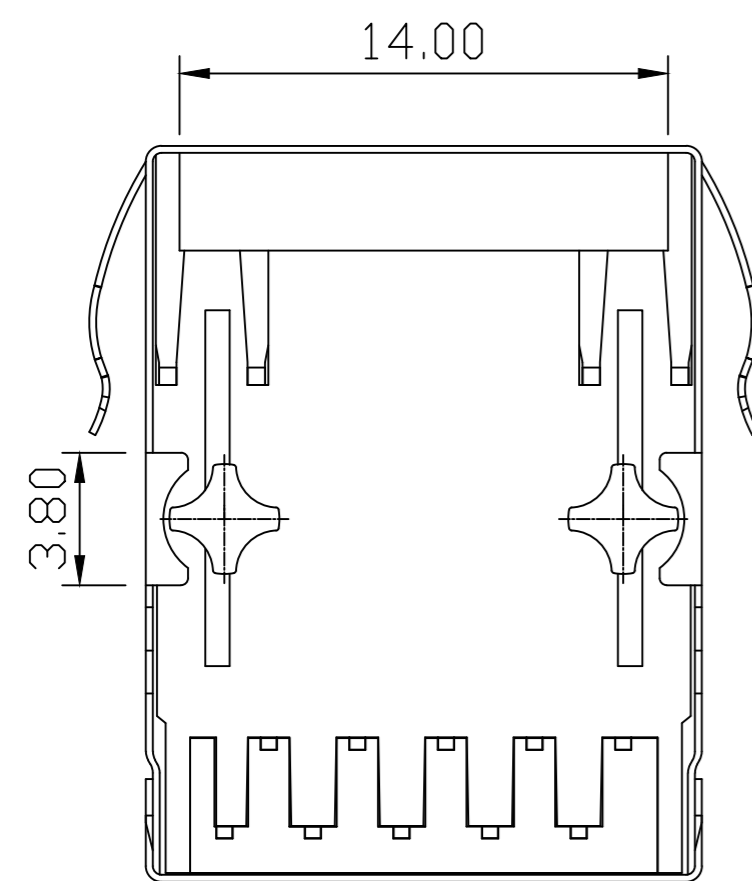
Front Side View



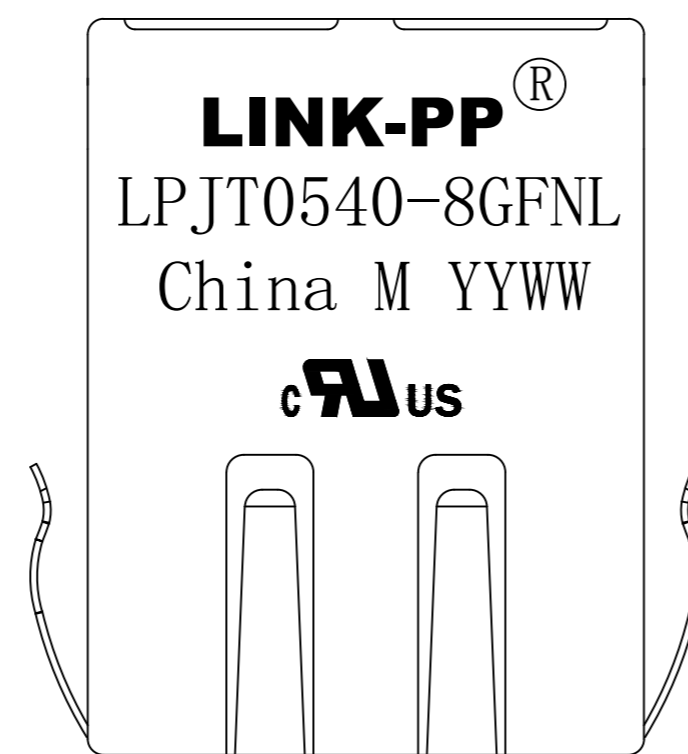
Left Side View



Suggested PCB Layout (Top View)



Bottom Side View



Top Side View

NOTES:

1. Designed to support application, such as SOHO (ADSL modems), LAN-on-Motherboard (LOM), hub and Switches.
2. Meets IEEE802.3 specification
3. Connector Materials:
 Housing: Thermoplastic PBT+30%G.F UL94V-0
 Contact: Phosphor Bronze C5210R-EH Thickness=0.35mm
 Pins: Brass C2680R-H Thickness=0.35mm
 Shield: SUS 304-1/2H Thickness=0.2mm
 Contact plating: Gold 30 micro-inches min. In contact area.
4. Wave solder tip temperature: 250°C, 5 Sec.
5. UL Certification: File Number E484635.



X:X ±0.30	APPD: TOM	LINK-PP INT'L TECHNOLOGY CO., LIMITED		
X:XX ±0.25	CHKD: JAMES			
X:XXX ±0.05	DR: LEO			
ANGLES ±1°	UNIT: mm	TITLE: RJ45 Connector with 2.5G Base-T Integrated Magnetics		
		PART NO.: LPJT0540-8GFNL		
	SCALE: 2/1	SHEET: 2/2	REV: A	DWG NO.: LP20082525