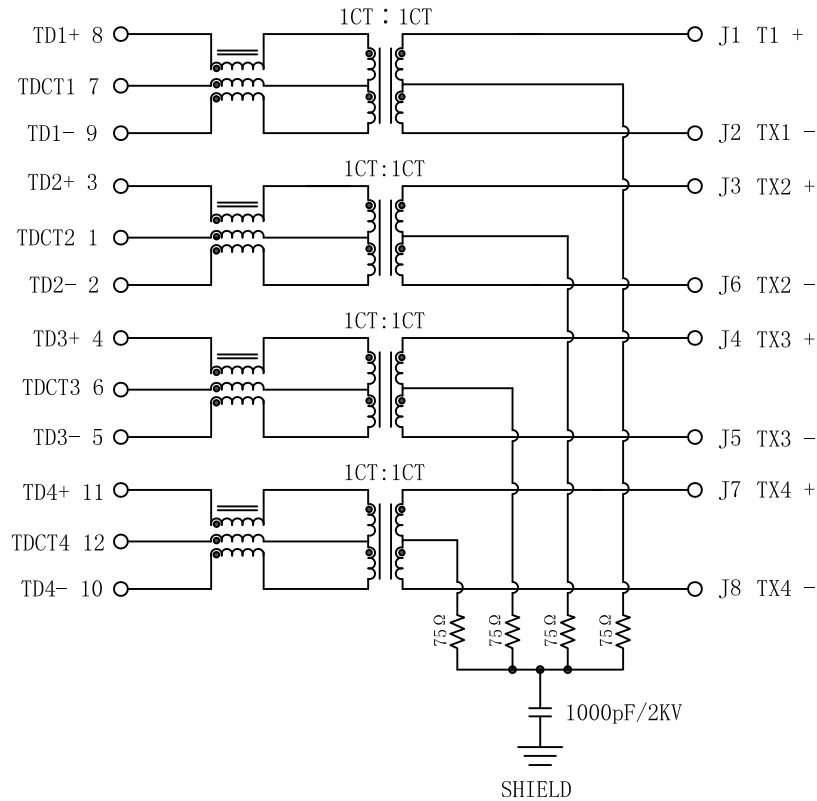


# Schematic:

REV.	ECN NO.	DESCRIPTION	DATE	APPD
A	REL		2019/11/08	

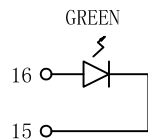
PCB CONNECTIONS



RJ45 CONNECTOR

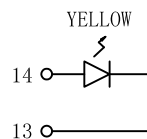
## Electrical Specification @25°C

- Turns Ratio ( $\pm 2\%$ ) :  
Pri : Sec = 1CT : 1CT
- OCL: 120uH Min @100KHz/100mVrms  
8mA DC Bias.
- Insertion Loss (dB Max):  
1~250MHz: -1.2      250~500MHz: -3
- Return Loss (dB Min):  
1~40MHz: -18      40~100MHz: -14  
100~250MHz: -11      250~500MHz: -8
- Crosstalk (dB Min):  
1~100MHz: -30      100~500MHz: -20
- Common Mode Rejection Ratio:  
1~100MHz: -28      100~250MHz: -22  
250~500MHz: -20
- Hipot: 1500Vrms
- Operating Temperature: 0°C ~ 70°C.



LEFT LED

LED POLARITY		COLOR
PIN 15	PIN 16	
-	+	GREEN



RIGHT LED

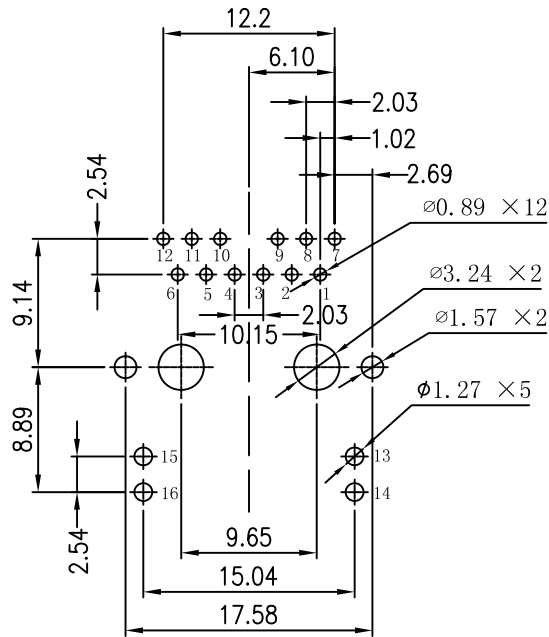
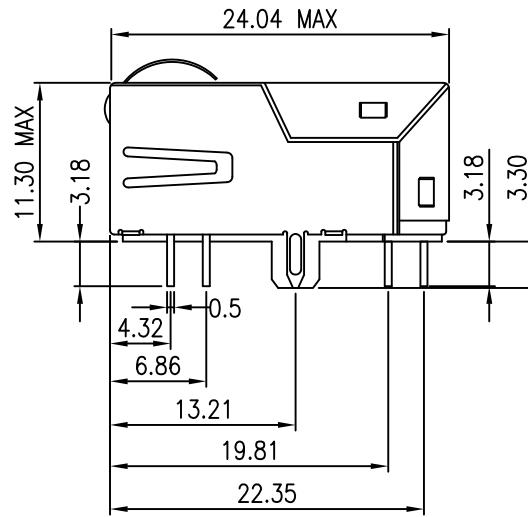
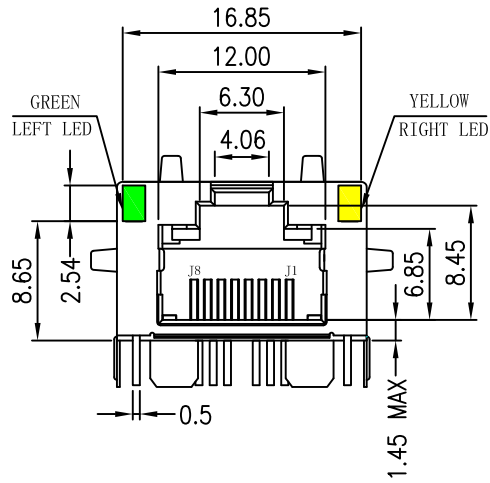
LED POLARITY		COLOR
PIN 13	PIN 14	
-	+	YELLOW

Emitting Color	$\lambda_p$ (nm)	V <sub>F</sub> @I <sub>F</sub> =20mA	I <sub>R</sub> @V <sub>R</sub> =5V
GREEN	565	1.8~2.6V	10 $\mu$ A max
YELLOW	585	1.8~2.6V	10 $\mu$ A max

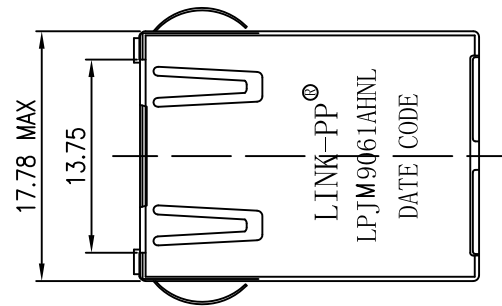
X:X	$\pm 0.30$	APPD:	LINK-PP INT'L TECHNOLOGY CO., LIMITED	
X:XX	$\pm 0.25$	CHKD:	TITLE: RJ45 Connector With 10G Base-TX Integrated Magnetic	
X:XXX	$\pm 0.05$	DR: TOM	PART NO.: LPJM9061AHNL	
ANGLES	$\pm 1^\circ$	UNIT: mm		
	SCALE: 2/1	SHEET: 1/2	REV: A	DWG: LP19110829

# Mechanical:

REV.	ECN NO.	DESCRIPTION	DATE	APPD
A	REL		2019/11/08	



SUGGESTED PCB LAYOUT(TOP VIEW)



## NOTES:

1. Designed to support application, such as SOHO (ADSL modems), LAN-on-Motherboard (LOM), hub and Switches.
2. Meets IEEE 802.3 specification
3. Connector Materials:  
Housing: Thermoplastic UL94V-0  
Contact/Shield: Copper alloy  
Shield plating: Nickel  
Contact plating: Gold 6 micro-inches min. In contact area.
4. Wave peak temperature: 260°C, 5Sec.
5. UL Certification: File Number E484635.



X:X	±0.30	APPD:	LINK-PP INT'L TECHNOLOGY CO., LIMITED
X:XX	±0.25	CHKD:	
X:XXX	±0.05	DR: TOM	TITLE: RJ45 Connector With 10G Base-TX Integrated Magnetic
ANGLES	±1°	UNIT: mm	PART NO.: LPJM9061AHNL
	SCALE: 2/1	SHEET: 2/2	REV: A DWG: LP19110829