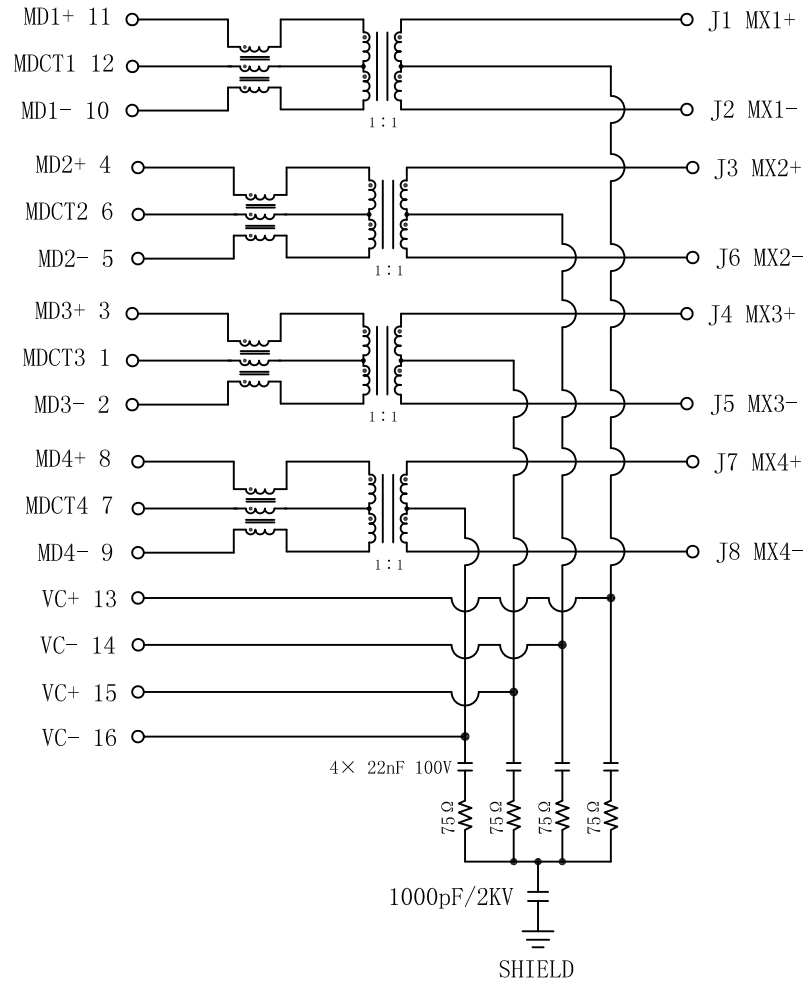


Schematic :

REV.	ECN NO.	DESCRIPTION	DATE	APPD
A	REL		2013-12-26	

PC BOARD CONNECTIONS

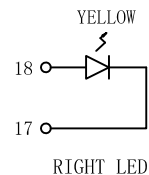
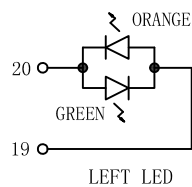


RJ45 CONNECTOR

Electrical Specifications @25°C

- Turn Ratio : 1CT:1CT +/- 5%
- OCL : 200uH Min@ 100KHz, 0.1V.
- Insertion Loss :
 - 1-100MHz -1.0dB Max
 - 100-125MHz -1.5dB Max
- Return Loss :
 - 1-30MHz -16dB Min.
 - 30-100MHz -12dB Min.
 - 100-150MHz -10dB Min.
- Cross Talk :
 - 1-125MHz -25dB Min.
- Common Mode Rejection :
 - 1-125MHz -30dB Min.
- Common Mode to Differential Mode Rejection :
 - 1-100MHz -30dB Min.
 - 100-125MHz -28dB Min.
- Balanced DC Line Current:
 - 720mA Max @57VDC Continuous.
 - 1.2A Max @57VDC For 200 Milliseconds.
- Isolation Hi-Pot : 2250VDC Min@ 60S
- Operating Temperature: -40°C ~ +85°C.

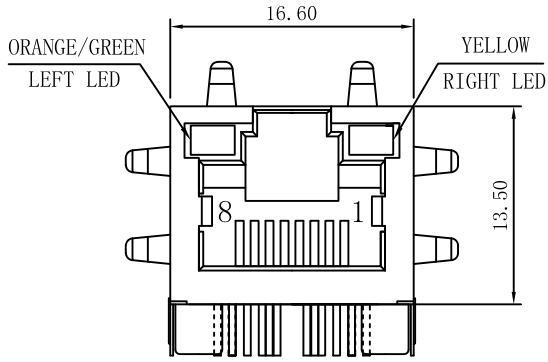
Emitting Color	λ_p (nm)	V _F @I _F =20mA	I _R @V _R =5V
ORANGE / GREEN	610 / 565	1.8~2.6V	10 μ A max
YELLOW	585	1.8~2.6V	10 μ A max



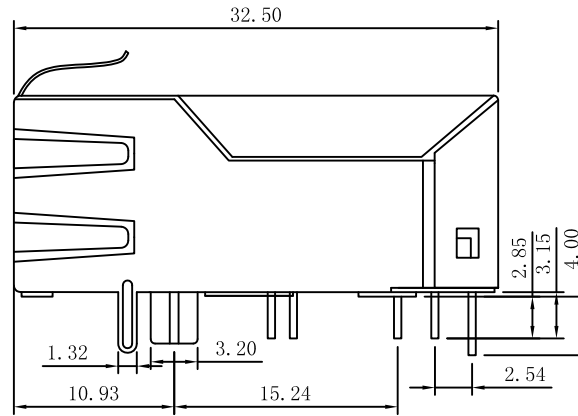
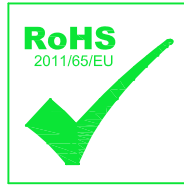
X:X ±0.30	APPD:	TITLE: RJ45 Connector with 2.5G Base-T Integrated Magnetics For PoE+ Application		
X:XX ±0.25	CHKD:			
X:XXX ±0.05	DR: TOM			
ANGLES ±1°	UNIT: mm	PART NO. : LPJM6001AONL		
	SCALE: 2/1	SHEET: 1/2	REV: A	DWG NO. : LP21112201

Mechanical :

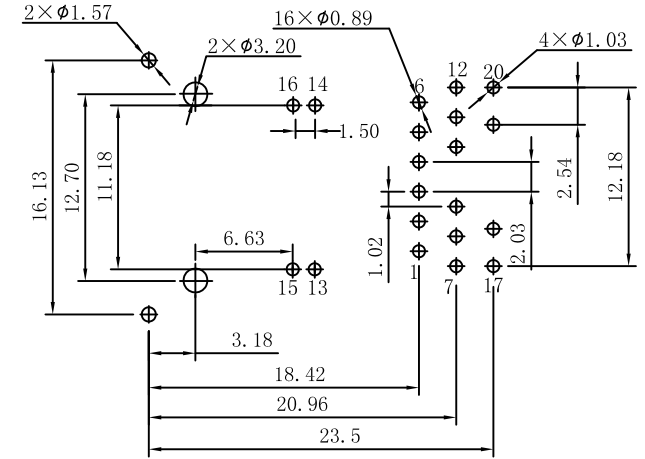
REV.	ECN NO.	DESCRIPTION	DATE	APPD
A	REL		2013-12-26	



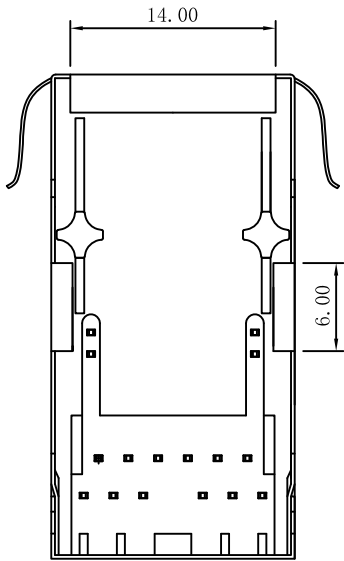
Front Side View



Left Side View



Suggested PCB Layout (Top View)



Bottom Side View



Top Side View

NOTES:

1. Designed to support application, such as SOHO (ADSL modems), LAN-ON-Motherboard (LOM), hub and Switches.
2. Meets IEEE 802.3at specification
3. Connector Materials:
Housing Material: Thermoplastic PBT+30%G.F UL94V-0
Contact Material: Phosphor Bronze C5210R-EH Thickness=0.35mm
Pins: Brass C2680R-H Thickness=0.35mm
Shield: Copper alloy Brass H65Y Thickness=0.2mm
Contact plating: Gold 6 micro-inches min. In contact area.
4. Wave solder tip temperature: 265°C Max, 5 Sec.
5. UL Certification: File Number E484635.

X:X ±0.30	APPD:	TITLE: RJ45 Connector with 2.5G Base-T Integrated Magnetics For PoE+ Application
X:XX ±0.25	CHKD:	
X:XXX ±0.05	DR: TOM	PART NO.: LPJM6001AONL
ANGLES ±1°	UNIT: mm	DWG NO.: LP21112201
	SCALE: 2/1	SHEET: 2/2
	REV: A	