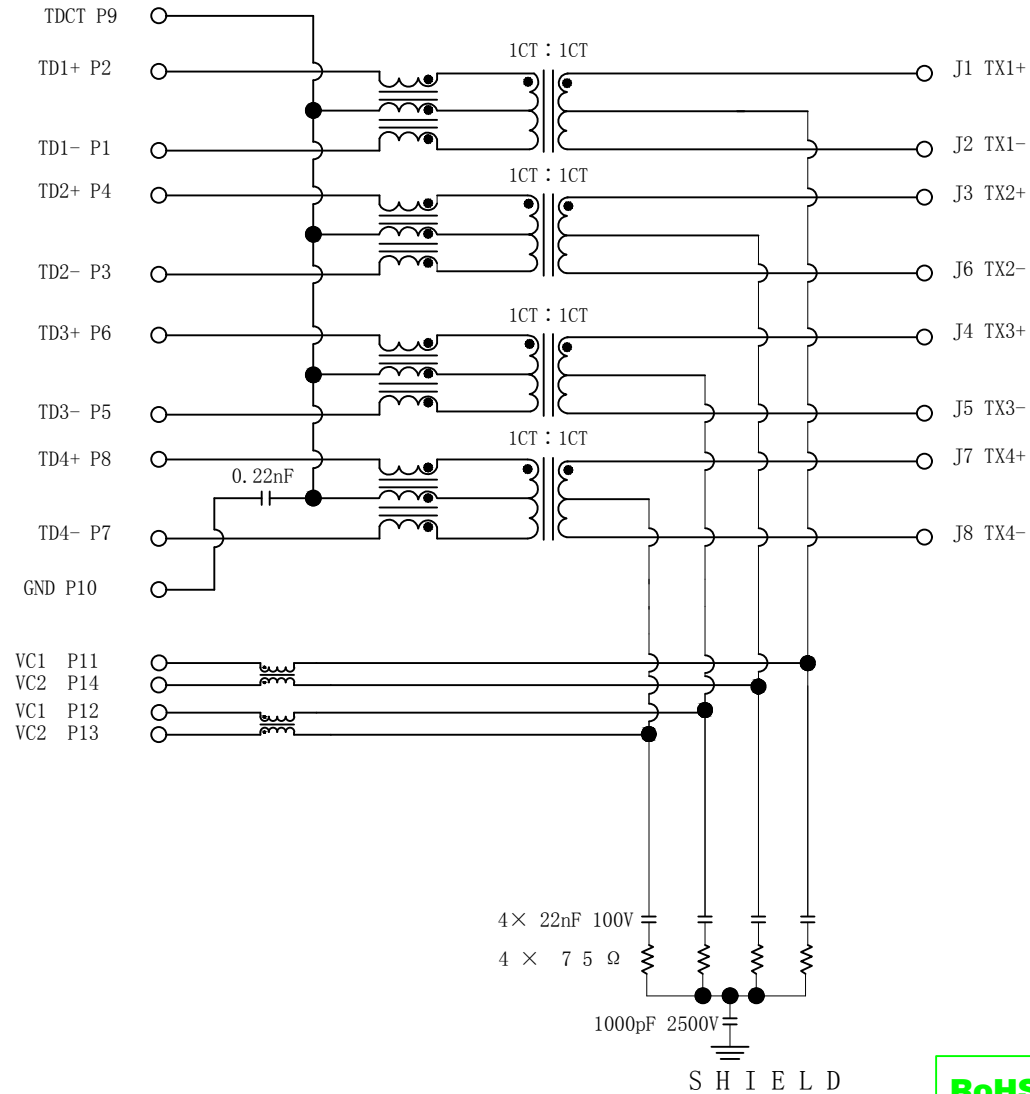


Schematic:

REV.	ECN NO.	DESCRIPTION	DATE	APPD
A	REL		2017/07/17	

PC BOARD CONNECTIONS



RJ45 CONNECTOR

Electrical Specification @25°C

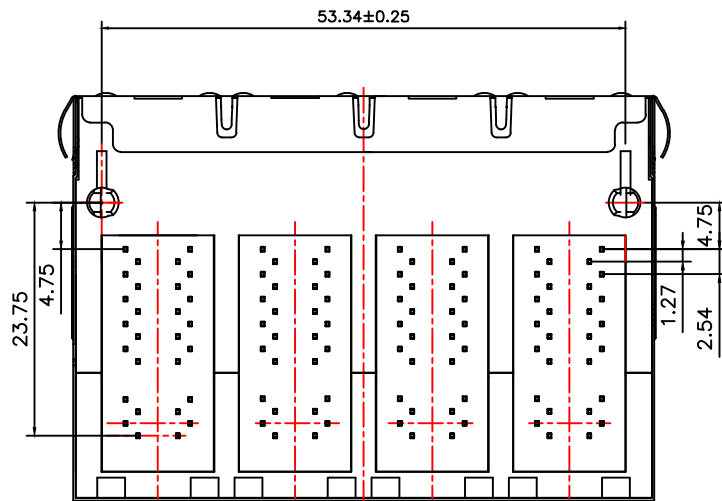
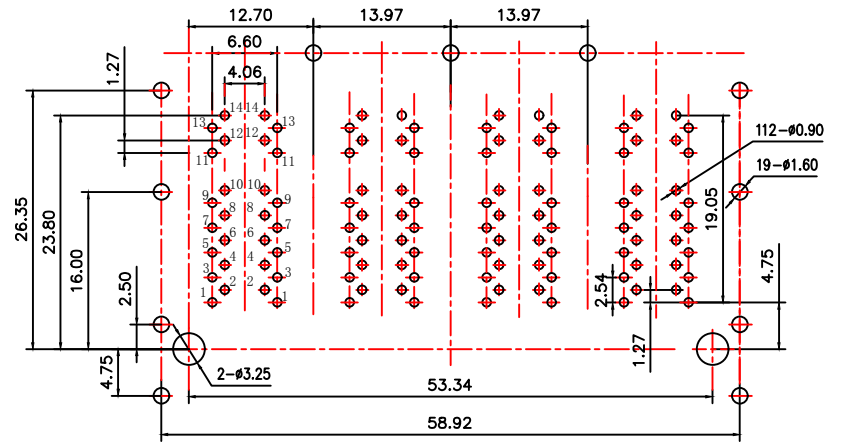
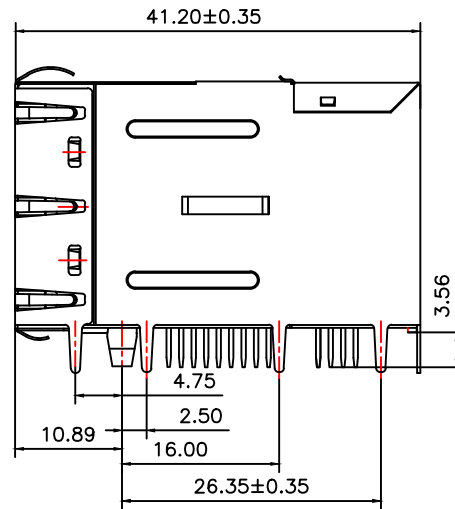
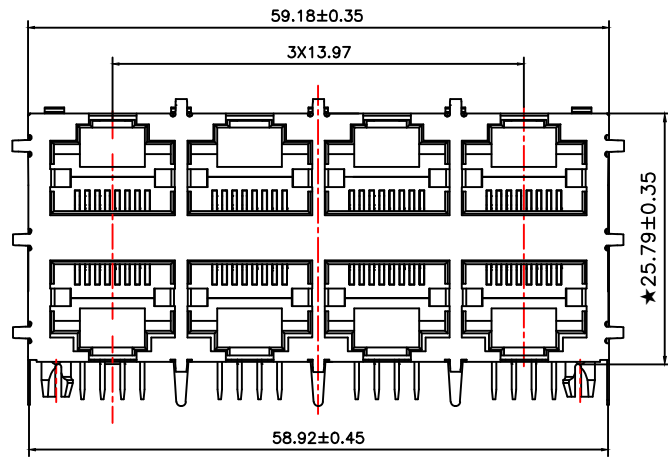
1. OCL: 120uH Min
@100KHz, 100mVrms, 18mA DC Bias
2. Turns Ratio: 1CT : 1CT
3. Insertion Loss (dB MAX):
 - 0.8 @ 1MHz TO 40MHz
 - 1.2 @ 40MHz TO 125MHz
 - 3.0 @ 125MHz TO 250MHz
4. Return Loss (dB Min):
 - 18 @ 1MHz TO 40MHz
 - 14 @ 40MHz TO 80MHz
 - 12 @ 100MHz TO 125MHz
 - 5 @ 125MHz TO 250MHz
5. Common Mode Rejection Ratio (CMRR):
1~250MHz: -40dB Min
6. Hi-Pot: 1500Vrms @60Hz/1min
7. Operating Temperature: 0°C ~ +70°C.



X:X	±0.30	APPD:	LINK-PP INT'L TECHNOLOGY CO., LIMITED	
X:XX	±0.25	CHKD:	TITLE: RJ45 .Transformer. 5G Base-T 2x4 Port For PoE Application	
X:XXX	±0.05	DR: James	PART NO. : LPJM49030CNL	
ANGLES	±1°	UNIT: mm	DWG NO. : LP17071716	
	SCALE: 2/1	SHEET: 1/2	REV: A	

Mechanical:

REV.	ECN NO.	DESCRIPTION	DATE	APPD
A	REL		2017/07/17	



NOTES:

1. Designed to support application, such as SOHO (ADSL modems), LAN-on-Motherboard (LOM), hub and Switches.
2. Meets IEEE 802.3at specification
3. PoE rating: 600mA MAX @57VDC (Continuous)
4. Connector Materials:
Housing: Thermoplastic UL94V-0
Contact/Shield: Copper alloy
Shield plating: Nickel
Contact plating: Gold 6 micro-inches min. In contact area.
5. Wave solder tip temperature: 265°C Max, 5 Sec Max.
6. UL Certification: File Number E484635.



X:X	±0.30	APPD:	LINK-PP INT'L TECHNOLOGY CO., LIMITED	
X:XX	±0.25	CHKD:	TITLE: RJ45 .Transformer. 5G Base-T 2x4 Port For PoE Application	
X:XXX	±0.05	DR: James	PART NO. : LPJM49030CNL	
ANGLES	±1°	UNIT: mm		
	SCALE: 2/1	SHEET: 2/2	REV: A	DWG NO. : LP17071716