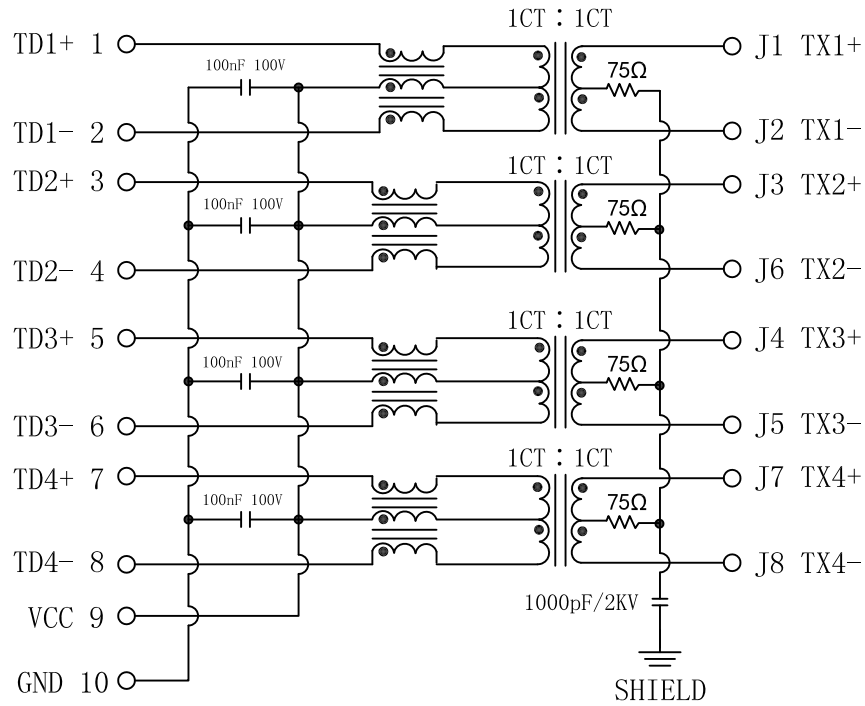


Schematic:

REV.	ECN NO.	DESCRIPTION	DATE	APPD
A	REL		2022/08/26	

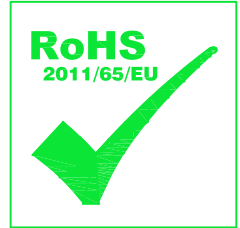
PC BOARD CONNECTIONS



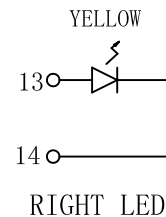
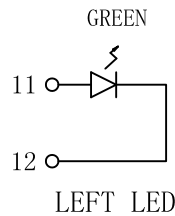
RJ45 CONNECTOR

ELECTRICAL SPECIFICATIONS @25°C

- Turn Ratio : 1CT:1CT +/- 5%
- OC:160uH Min @100KHz , 0.1V
- Insertion Loss (dB Max):
 - 1-125MHz: -1.0 125-200MHz: -2.0
 - 200-250MHz -2.5
- Return Loss(dB Min):
 - 1-30MHz: -18 30-100MHz: -14
 - 100-200MHz: -11 200-250MH: -9
- Cross Talk:
 - 1-250MHz: -25dB Min.
- Common Mode Rejection(dB Min):
 - 1-100MHz: -30 100-250MHz:-20
- Common Mode to Differential Mode Rejection(dB Min):
 - 1-100MHz: -30 100-250MHz:-25.
- Isolation Hi-Pot: 2250VDC Min@ 60S
- Operating Temperature Range: 0°C~70°C.



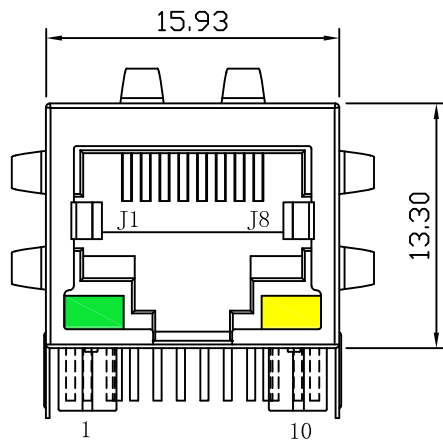
Emitting Color	λp(nm)	VF@IF=20mA	IR @VR=5V
GREEN	565	1.8~2.6V	10 μA max
YELLOW	585	1.8~2.6V	10 μA max



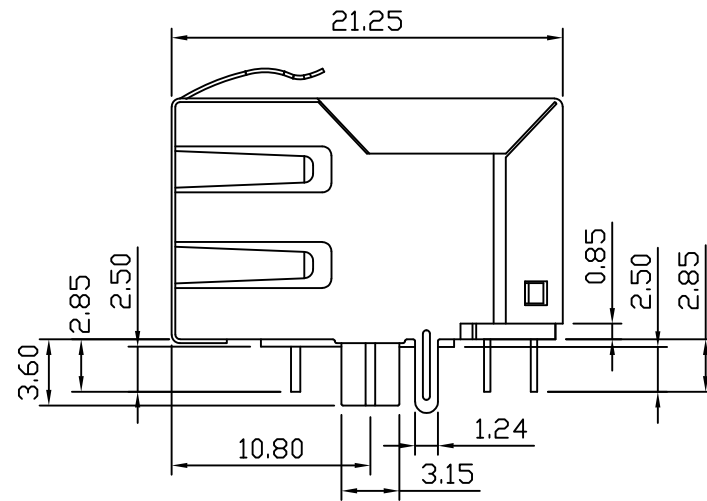
X:X ±0.30	APPD:	LINK-PP INT'L TECHNOLOGY CO., LIMITED
X:XX ±0.25	CHKD:	
X:XXX ±0.05	DR: TOM	TITLE: RJ45 Connector with 5G Base-T Integrated Magnetics
ANGLES ±1°	UNIT: mm	PART NO.: LPJM4538GENL
	SCALE: 2/1	SHEET: 1/2
	REV: A	DWG NO.: LP22082601

Mechanical:

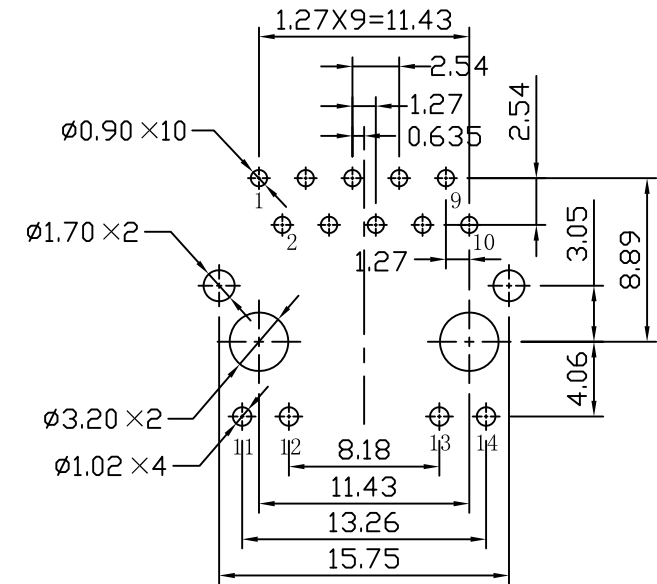
REV.	ECN NO.	DESCRIPTION	DATE	APPD
A	REL		2022/08/26	



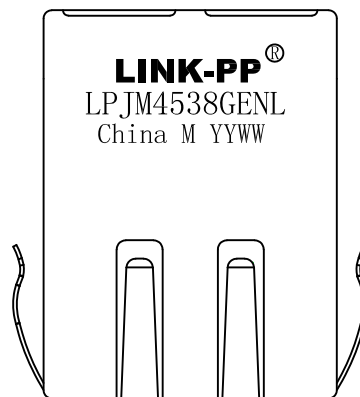
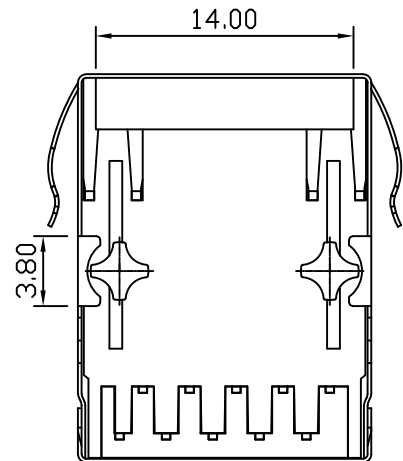
Front Side View



Left Side View



Suggested PCB Layout (Top View)



NOTES:

1. Designed to support application, such as SOHO (ADSL modems), LAN-on-Motherboard (LOM), hub and Switches.
2. Meets IEEE802.3 specification
3. Connector Materials:
 Housing: Thermoplastic PBT+30%G.F UL94V-0
 Contact: Phosphor Bronze C5210R-EH Thickness=0.35mm
 Pins: Brass C2680R-H Thickness=0.35mm
 Shield: SUS 201-1/2H Thickness=0.2mm
 Contact plating: Gold 6 micro-inches min. In contact area.
4. Wave solder tip temperature: 250°C, 5 Sec.
5. UL Certification: File Number E484635.

X:X ±0.30	APPD:	LINK-PP INT'L TECHNOLOGY CO., LIMITED
X:XX ±0.25	CHKD:	TITLE: RJ45 Connector with 5G Base-T Integrated Magnetics
X:XXX ±0.05	DR: TOM	PART NO.: LPJM4538GENL
ANGLES ±1°	UNIT: mm	DWG NO.: LP22082601
	SCALE: 2/1	SHEET: 2/2
	REV: A	