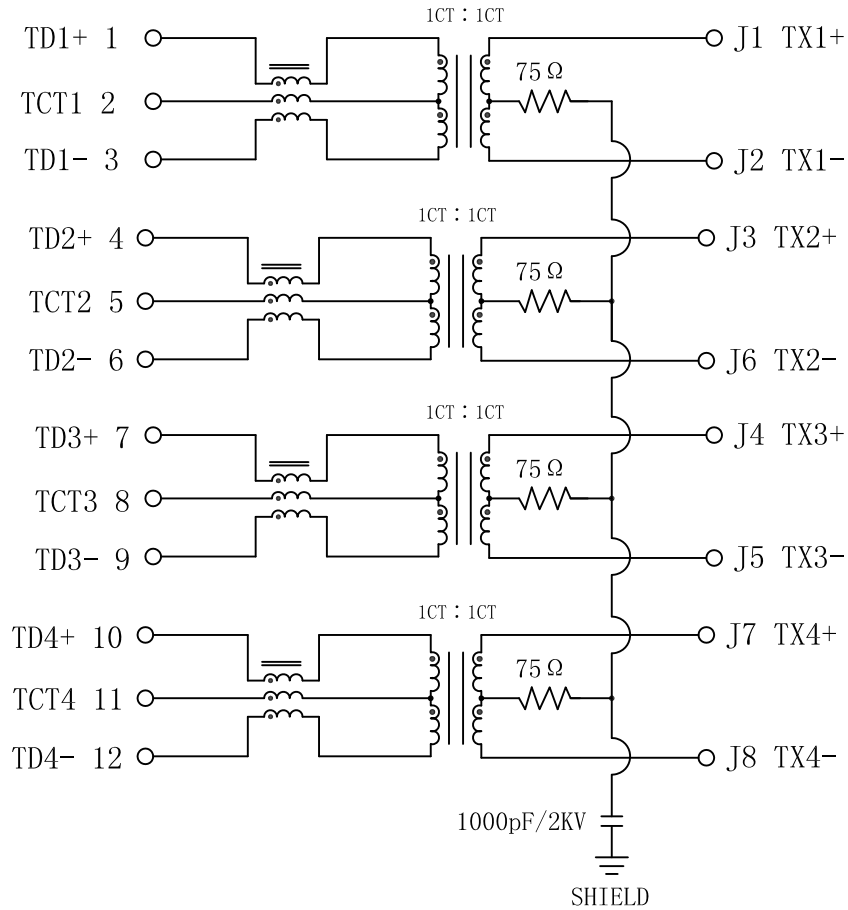


Schematic:

REV.	ECN NO.	DESCRIPTION	DATE	APPD
A	REL		2021-11-08	

PC BOARD CONNECTIONS



RJ45 CONNECTOR

ELECTRICAL SPECIFICATIONS @25°C

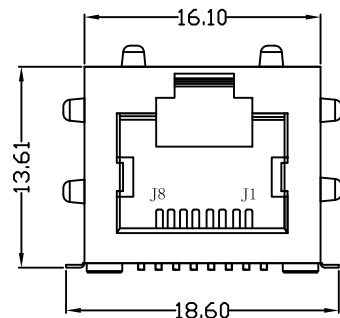
- Turn Ratio(±2%):
Pri:Sec = 1CT:1CT
- Inductance OCL:
150uH MIN @100KHz 0.1Vrms
- Insertion Loss(dB Max):
1~125MHz:-1.0
- Return Loss(dB Min):
1~40MHz:-20
40~200MHz:-22+15LOG₁₀(f/40)
- Cross talk(dB Typ):
1~125MHz:-30
- Common Mode Rejection Ratio(dB Min):
30~200MHz:-30
- Hipot Test: 1500Vrms
- Operating Temperature Range: -40°C ~+85°C.



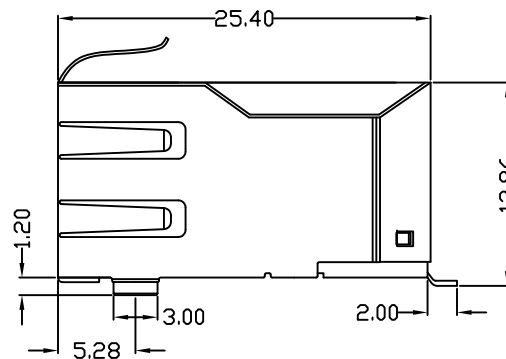
X:X ±0.30	APPD:	LINK-PP INT'L TECHNOLOGY CO., LIMITED
X:XX ±0.25	CHKD:	
X:XXX ±0.05	DR: TOM	TITLE: Surface Mount 1×1 Tab-Up RJ45 Connector With 2.5G Magnetic
ANGLES ±1°	UNIT: mm	PART NO.: LPJM19434CNL
	SCALE: 2/1	SHEET: 1/2
	REV: A	DWG NO.: LP21110818

Mechanical:

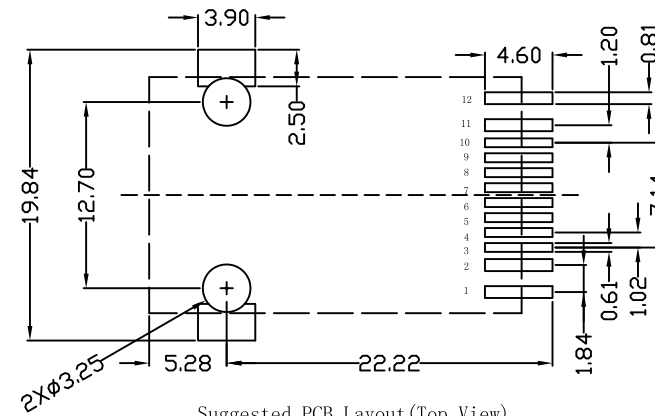
REV.	ECN NO.	DESCRIPTION	DATE	APPD
A	REL		2021-11-08	



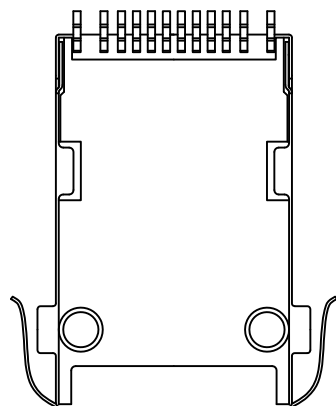
Front Side View



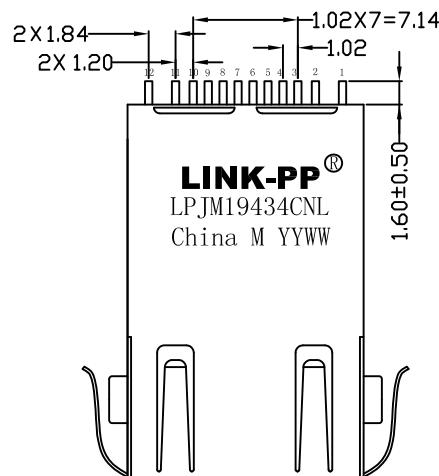
Left Side View



Suggested PCB Layout (Top View)



Bottom Side View



Top Side View

NOTES:

1. Designed to support application, such as SOHO (ADSL modems), LAN-on-Motherboard (LOM), hub and Switches.
2. Meets IEEE802.3 specification.
3. Connector Materials:
 Housing: Thermoplastic LCP+30%G.F UL94V-0
 Contact: Phosphor Bronze C5210R-EH Thickness=0.35mm
 Pins: Brass C2680R-H Thickness=0.35mm
 Shield: SUS 201-1/2H Thickness=0.2mm
 Contact plating: Gold 6 micro-inches min. In contact area.
4. Maximum reflow temperature is 250°C, 10 Sec.
5. UL Certification: File Number E484635.

X:X ±0.30	APPD:	LINK-PP INT'L TECHNOLOGY CO., LIMITED
X:XX ±0.25	CHKD:	
X:XXX ±0.05	DR: TOM	TITLE: Surface Mount 1x1 Tab-Up RJ45 Connector With 2.5G Magnetic
ANGLES ±1°	UNIT: mm	PART NO.: LPJM19434CNL
	SCALE: 2/1	SHEET: 2/2
	REV: A	DWG NO.: LP21110818