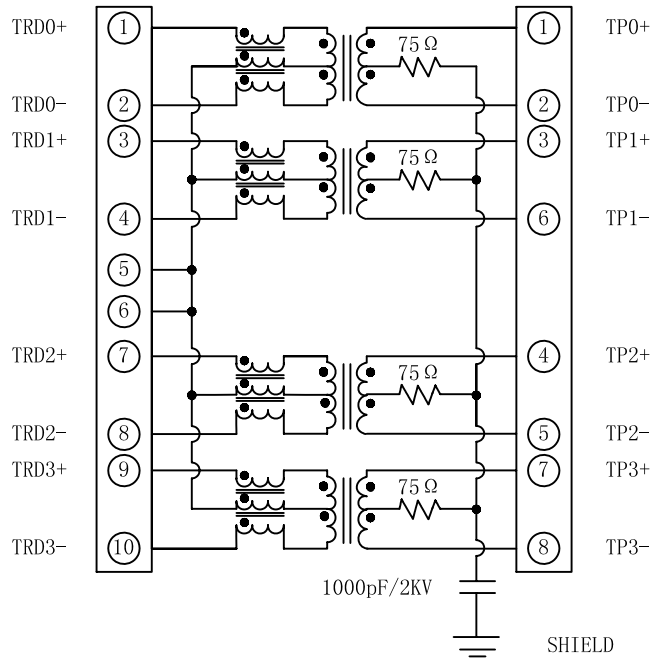


Schematic:

REV.	ECN NO.	DESCRIPTION	DATE	APPD
A	REL		2021/12/08	

PC BOARD CONNECTIONS



RJ45 CONNECTOR

Electrical Specifications @25°C

1. OCL:

120 uH MIN @ 100KHz, 100mV

2. Turns Ratio ($\pm 2\%$):

TX = 1CT : 1CT RX = 1CT : 1CT

3. Insertion Loss:

1-50MHz: -0.5dB Max 50-125MHz: -1.0dB Max
125-250MHz: -1.5dB Max

4. Return Loss (dB Min):

1-40MHz: -20 40-250MHz: -20+15*LOG10(f/40)

5. Crosstalk (dB Typ):

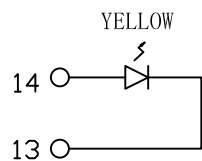
1-125MHz: -30 125-250MHz: -20

6. Common Mode Rejection (dB Typ):

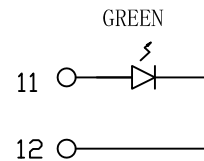
30-250MHz: -30

7. Isolation Voltage: 2250 VDC FOR 60 SECONDS

8. Operating Temperature: 0°C ~ +70°C



LEFT LED



RIGHT LED

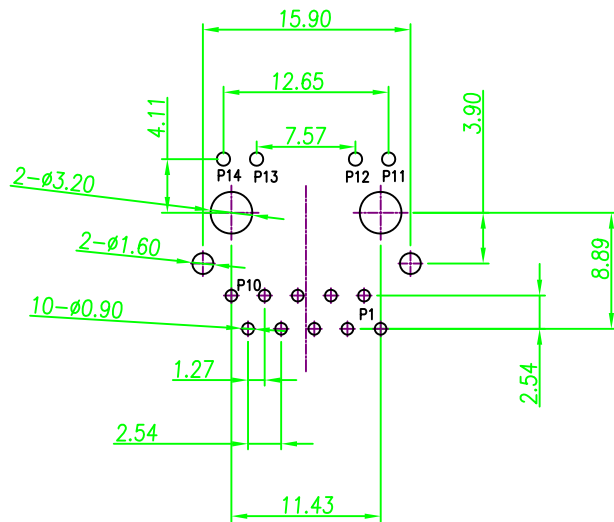
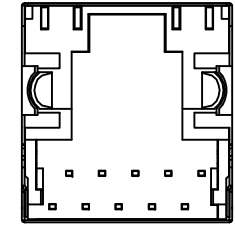
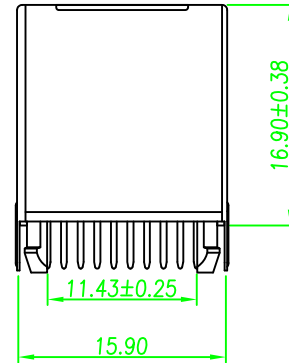
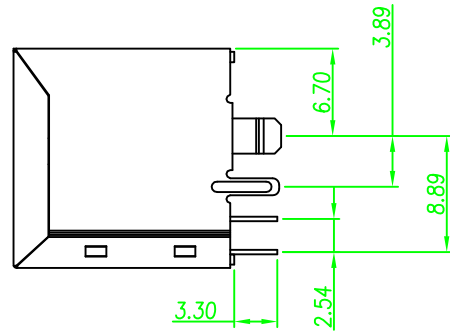
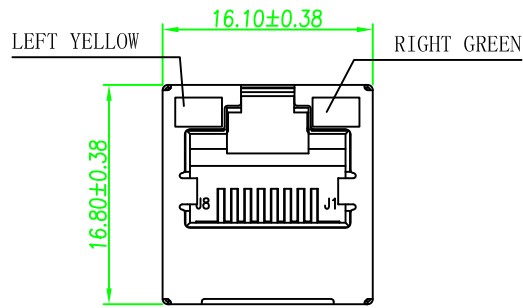


Emitting Color	λ p(nm)	V _F @I _F =20mA	I _R @V _R =5V
Green	565	1.8~2.6V	10 μ A max
Yellow	585	1.8~2.6V	10 μ A max

X:X	± 0.30	APPD:	LINK-PP INT'L TECHNOLOGY CO., LIMITED
X:XX	± 0.25	CHKD:	
X:XXX	± 0.05	DR: James	TITLE: Vertical RJ45 Connector With 2.5G Base-T Integrated Magnetic
ANGLES	$\pm 1^\circ$	UNIT: mm	PART NO.: LPJM0608BANL
	SCALE: 2/1	SHEET: 1/2	REV: A DWG NO.: LP21120817

Mechanical:

REV.	ECN NO.	DESCRIPTION	DATE	APPD
A	REL		2021/12/08	



RECOMMENDED PCB LAYOUT
(COMPONENT SIDE VIEW)
TOLERANCE: ± 0.05 (T=1.6mm)



NOTES:

1. Designed to support application, such as SOHO (ADSL modems), LAN-on Motherboard (LOM), hub and Switches.
2. Meets IEEE 802.3 specification
3. Connector Materials:
 Housing Material: Thermoplastic PBT+30%G.F UL94V-0
 Contact Material: Phosphor Bronze C5210R-EH Thickness=0.35mm
 Pins: Brass C2680R-H Thickness=0.35mm
 Shield: Copper alloy Brass H65Y Thickness=0.2mm
 Contact plating: Gold 6 micro-inches Min. In contact area.
4. Wave solder tip temperature: 265°C Max, 5 Sec Max
5. UL Certification: File Number E484635

X:X	± 0.30	APPD:	LINK-PP INT'L TECHNOLOGY CO., LIMITED	
X:XX	± 0.25	CHKD:	TITLE: Vertical RJ45 Connector With 2.5G Base-T Integrated Magnetic	
X:XXX	± 0.05	DR: James		
ANGLES	$\pm 1^\circ$	UNIT: mm	PART NO.: LPJM0608BANL	
	SCALE: 2/1	SHEET: 2/2	REV: A	DWG NO.: LP21120817