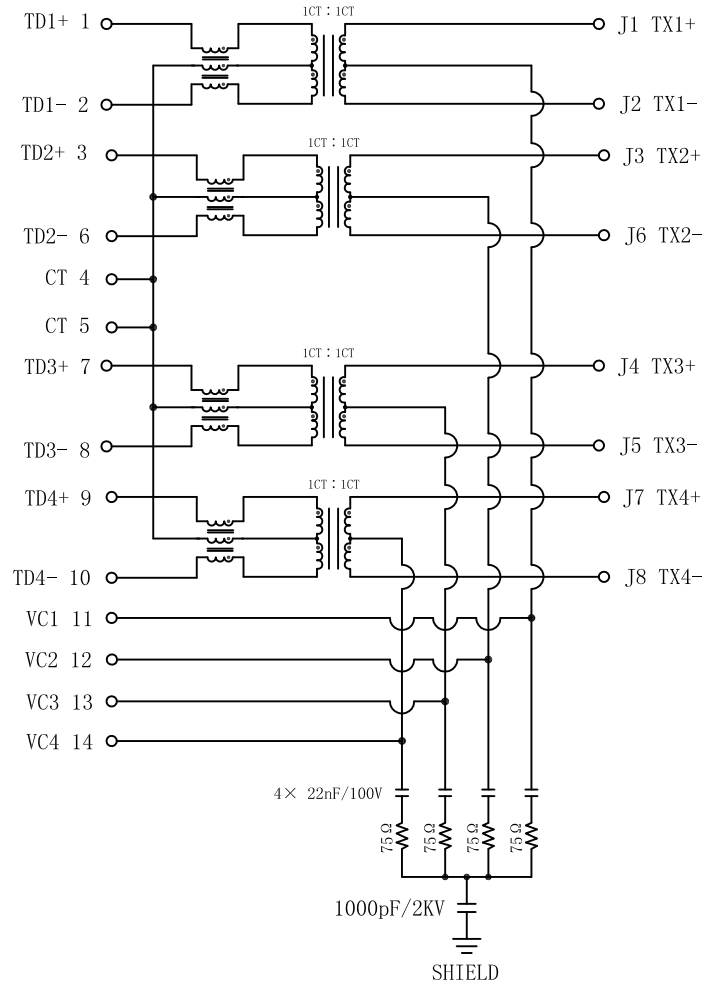


# Schematic:

REV.	ECN NO.	DESCRIPTION	DATE	APPD
A	REL		2021-08-20	

PC BOARD CONNECTIONS



RJ45 CONNECTOR

## ELECTRICAL SPECIFICATIONS @25°C

- Turn Ratio(±2%) :  
Pri : Sec = 1CT : 1CT
- Inductance OCL :  
180uH Min @100KHz, 0.1V, 8mADC Bias.
- Insertion Loss(dB Max) :  
1~50MHz:-0.5      50~125MHz:-1.0
- Return Loss(dB Min) :  
1~40MHz:-20  
40~200MHz:-20+15\*LOG (f/40)
- Cross talk(dB Min) :  
1~125MHz:-30
- Common Mode Rejection Ratio(dB Min) :  
30~200MHz:-30
- Common to Diff Rejection Ratio(dB Min) :  
10~125MHz:-45+f/35
- DC Current/Voltage Rating pse Pins :  
720mA Max @57VDC(Continuous)
- Hipot Test: 1500Vrms Min
- Operating Temperature: 0°C~70°C.



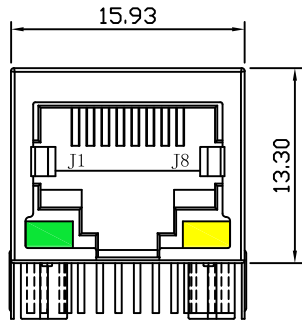
Emitting Color	λp(nm)	V <sub>F</sub> @I <sub>F</sub> =20mA	I <sub>R</sub> @V <sub>R</sub> =5V
GREEN	565	1.8~2.6V	10 μA max
YELLOW	585	1.8~2.6V	10 μA max



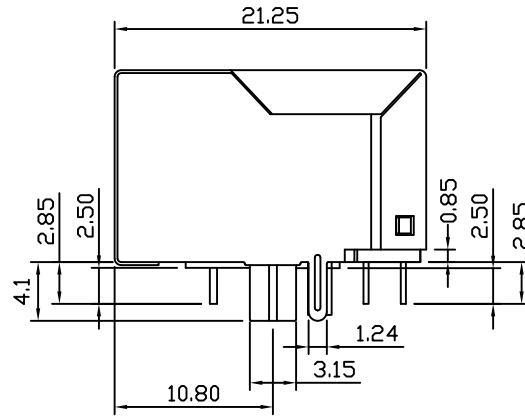
X:X ±0.30	APPD:	LINK-PP INT'L TECHNOLOGY CO., LIMITED
X:XX ±0.25	CHKD:	
X:XXX ±0.05	DR: TOM	TITLE: RJ45 Connector with 2.5G Base-T Integrated Magnetics For PoE+ Application
ANGLES ±1°	UNIT: mm	PART NO. : LPJM05125HENL
	SCALE: 2/1	SHEET: 1/2
	REV: A	DWG NO. : LP21082001

# Mechanical:

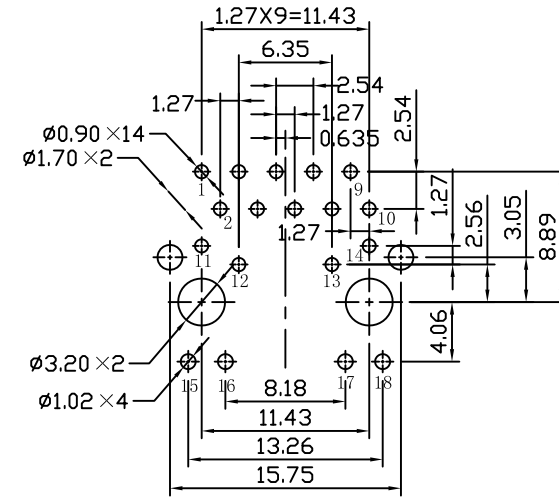
REV.	ECN NO.	DESCRIPTION	DATE	APPD
A	REL		2021-08-20	



Front Side View



Left Side View

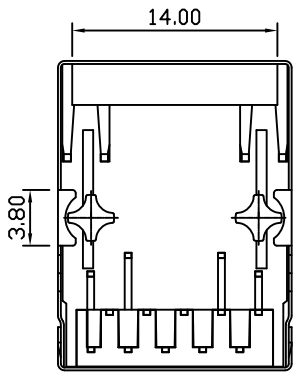


Suggested PCB Layout (Top View)

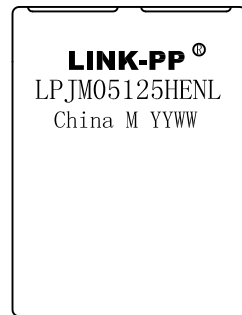


## NOTES:

1. Designed to support application, such as SOHO (ADSL modems), LAN-on-Motherboard (LOM), hub and Switches.
2. Meets IEEE802.3at specification.
3. Connector Materials:  
 Housing: Thermoplastic PBT+30%G.F UL94V-0  
 Contact: Phosphor Bronze C5210R-EH Thickness=0.35mm  
 Pins: Brass C2680R-H Thickness=0.35mm  
 Shield: SUS 201-1/2H Thickness=0.2mm  
 Contact plating: Gold 6 micro-inches min. In contact area.
4. Wave solder tip temperature: 250°C, 5 Sec.
5. UL Certification: File Number E484635.



Bottom Side View



Top Side View

X:X ±0.30	APPD:	LINK-PP INT'L TECHNOLOGY CO., LIMITED
X:XX ±0.25	CHKD:	
X:XXX ±0.05	DR: TOM	TITLE: RJ45 Connector with 2.5G Base-T Integrated Magnetics For PoE+ Application
ANGLES ±1°	UNIT: mm	PART NO.: LPJM05125HENL
	SCALE: 2/1	SHEET: 2/2
	REV: A	DWG NO.: LP21082001