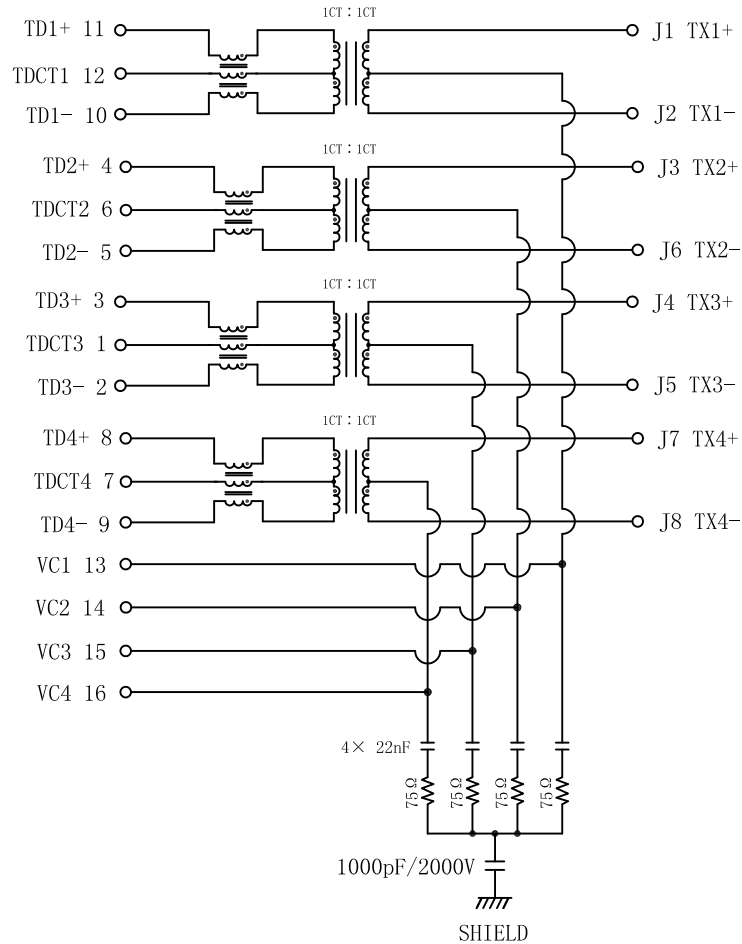


Schematic:

| REV. | ECN NO. | DESCRIPTION | DATE | APPD |
|------|---------|-------------|------------|------|
| A | REL | | 2019-06-29 | |

PC BOARD CONNECTIONS

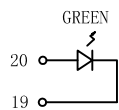


RJ45 CONNECTOR

ELECTRICAL SPECIFICATIONS @25°C

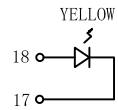
- Turn Ratio ($\pm 2\%$):
Pri:Sec = 1CT:1CT
- Inductance OCL:
180uH MIN @ 100KHz 0.1Vrms
- Insertion Loss (dB Max):
100KHz: -3.0 1~100MHz: -1.0
100~500MHz: -3.0
- Return Loss (dB Min):
1~100MHz: -22
100~500MHz: -22+18.27*LOG (f/100)
- Cross talk (dB Min):
1~100MHz: -28 100~500MHz: -19
- CDMR (dB Min):
1~250MHz: -30 250~500MHz: -22
- Balance DC Line current:
1.0A MAX, @57VDC Continuous.
- Hipot Test: 1500Vrms
- Operating Temperature Range: -40°C ~ +85°C.

| Emitting Color | λ_p (nm) | VF@IF=20mA | IR @VR=5V |
|----------------|------------------|------------|----------------|
| GREEN | 565 | 1.8~2.6V | 10 μ A max |
| YELLOW | 585 | 1.8~2.6V | 10 μ A max |



LEFT LED

| LED POLARITY | | COLOR |
|--------------|--------|-------|
| PIN 20 | PIN 19 | GREEN |
| + | - | |



RIGHT LED

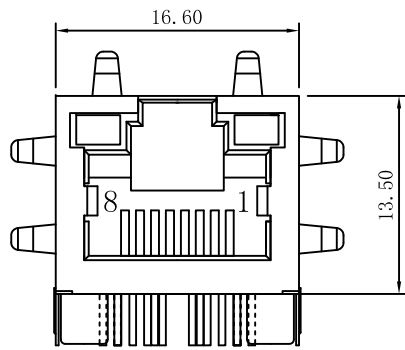
| LED POLARITY | | COLOR |
|--------------|--------|--------|
| PIN 18 | PIN 17 | YELLOW |
| + | - | |



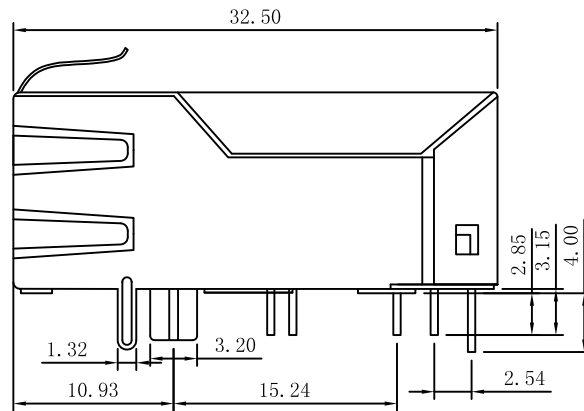
| | | | | |
|--------|---------------|------------|--|---------------------|
| X:X | ± 0.30 | APPD: | LINK-PP INT'L TECHNOLOGY CO., LIMITED | |
| X:XX | ± 0.25 | CHKD: | TITLE: RJ45 Connector with 10G Base-T Integrated Magnetics For PoE++ Application | |
| X:XXX | ± 0.05 | DR: SEA | PART NO.: LPJK9493AHNL | |
| ANGLES | $\pm 1^\circ$ | UNIT: mm | | |
| | SCALE: 2/1 | SHEET: 1/2 | REV: A | DWG NO.: LP19062919 |

Mechanical :

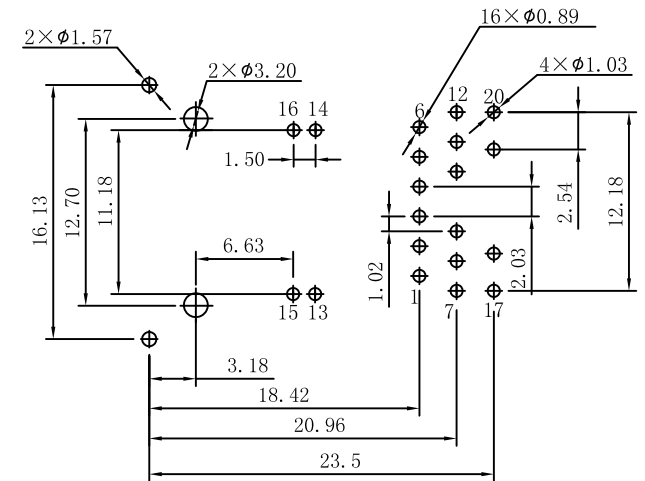
| REV. | ECN NO. | DESCRIPTION | DATE | APPD |
|------|---------|-------------|------------|------|
| A | REL | | 2019-06-29 | |



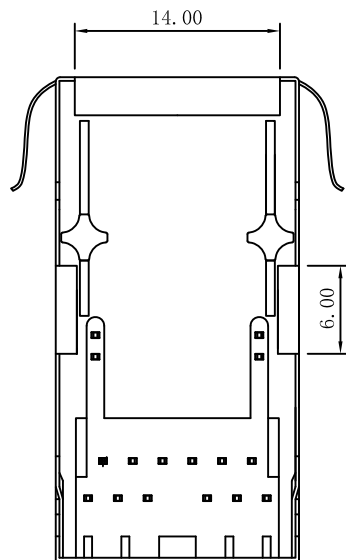
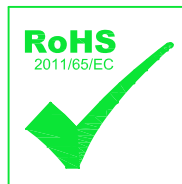
Front Side View



Left Side View



Suggested PCB Layout (Top View)



Bottom Side View



Top Side View

NOTES:

1. Designed to support application, such as SOHO (ADSL modems), LAN-on-Motherboard (LOM), hub and Switches.
2. Meets IEEE 802.3bt specification
3. Connector Materials:
Housing: Thermoplastic UL94V-0
Contact/Shield: Copper alloy
Shield plating: Nickel
Contact plating: Gold 6 micro-inches min. In contact area.
4. Wave solder tip temperature: 265°C Max, 5 Sec.
5. UL Certification: File Number E484635.

| | | |
|-------------|------------|--|
| X:X ±0.30 | APPD: | LINK-PP INT'L TECHNOLOGY CO., LIMITED |
| X:XX ±0.25 | CHKD: | |
| X:XXX ±0.05 | DR: SEA | TITLE: RJ45 Connector with 10G Base-T Integrated Magnetics For PoE++ Application |
| ANGLES ±1° | UNIT: mm | PART NO.: LPJK9493AHNL |
| | SCALE: 2/1 | SHEET: 2/2 |
| | REV: A | DWG NO.: LP19062919 |