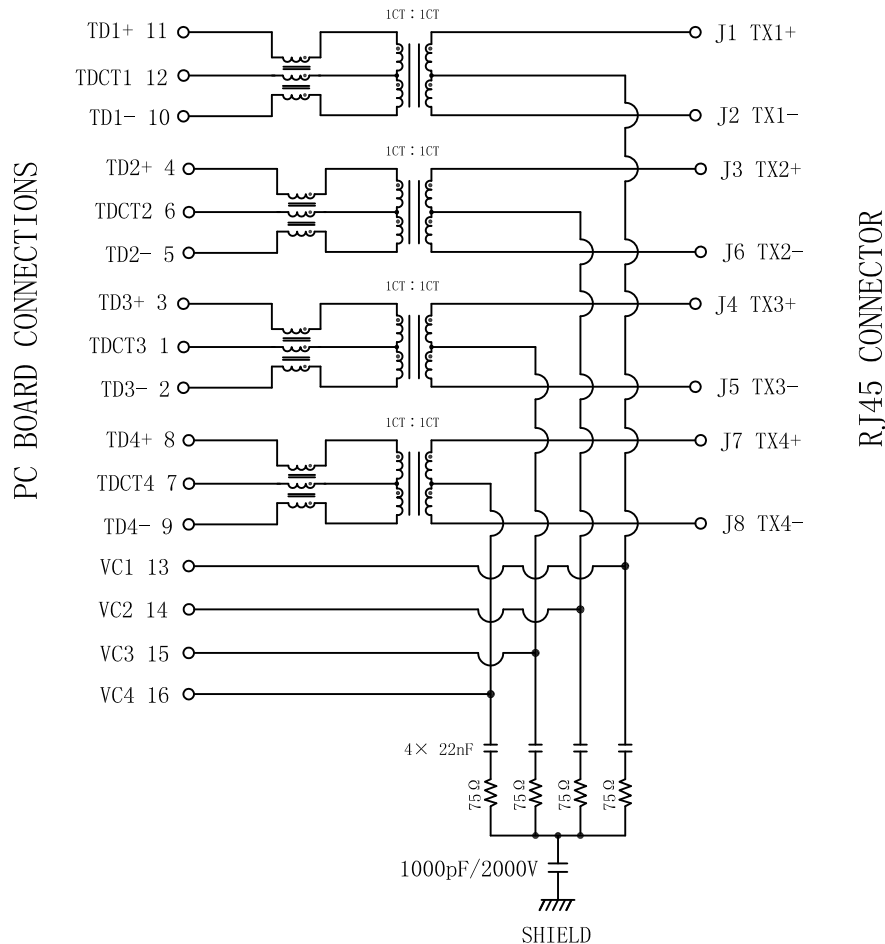


Schematic:

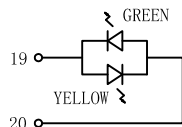
REV.	ECN NO.	DESCRIPTION	DATE	APPD
A	REL		2019-07-18	



ELECTRICAL SPECIFICATIONS @25°C

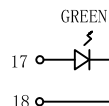
- Turn Ratio($\pm 2\%$):
Pri:Sec = 1CT:1CT
- Inductance OCL:
180uH MIN @ 100KHz, 0.1Vrms.
150uH MIN @ 100KHz, 0.1Vrms, 10.8mA DC Bias
- Insertion Loss(dB Max):
1-50MHz:-0.5 50~125MHz:-1.0
125~250MHz:-1.5
- Return Loss(dB Min, @100 Ohms $\pm 1\%$):
1~40MHz:-20
40~250MHz:-20+15*LOG₁₀ (f/40)
- Cross talk(dB Min):
1~125MHz:-30 125~250MHz:-20
- Common Mode Rejection Ratio(dB Min):
30~250MHz:-30
- Common to Diff Rejection Ratio(dB Min):
10~250MHz:-45+f/35
- Balance DC Line current:
720mA MAX, @57VDC Continuous.
- Hipot Test: 1500Vrms
- Operating Temperature Range: 0°C~70°C.

Emitting Color	λ_p (nm)	V _F @I _F =20mA	I _R @V _R =5V
GREEN	565	1.8~2.6V	10 μA max
YELLOW	585	1.8~2.6V	10 μA max



LEFT LED

LED POLARITY		COLOR
PIN 20	PIN 19	
+	-	GREEN
-	+	YELLOW



RIGHT LED

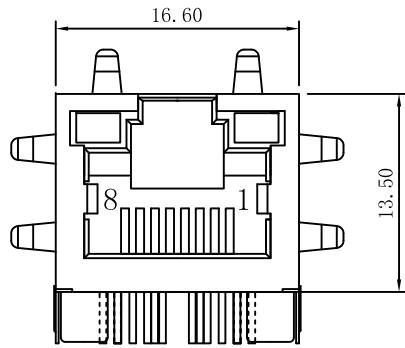
LED POLARITY		COLOR
PIN 18	PIN 17	
-	+	GREEN



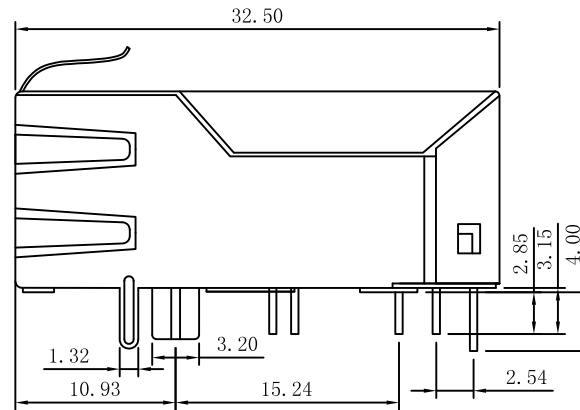
X:X	± 0.30	APPD:	LINK-PP INT'L TECHNOLOGY CO., LIMITED	
X:XX	± 0.25	CHKD:	TITLE: RJ45 Connector with 10G Base-T Integrated Magnetics For PoE+ Application	
X:XXX	± 0.05	DR: SEA		
ANGLES	$\pm 1^\circ$	UNIT: mm	PART NO.: LPJK9094A9NL	
	SCALE: 2/1	SHEET: 1/2	REV: A	DWG NO.: LP19071801

Mechanical :

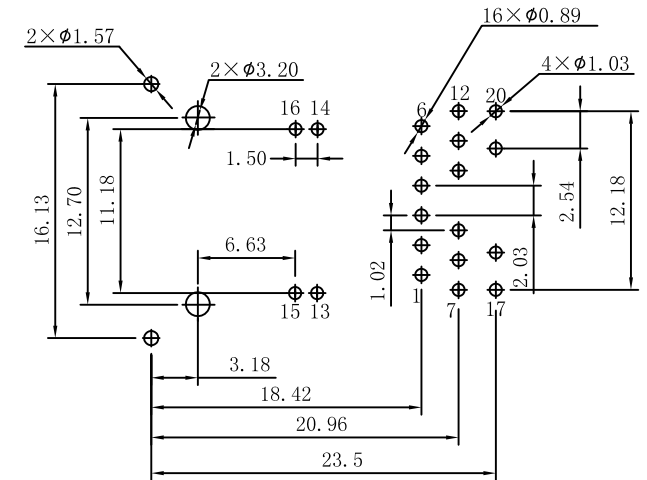
REV.	ECN NO.	DESCRIPTION	DATE	APPD
A	REL		2019-07-18	



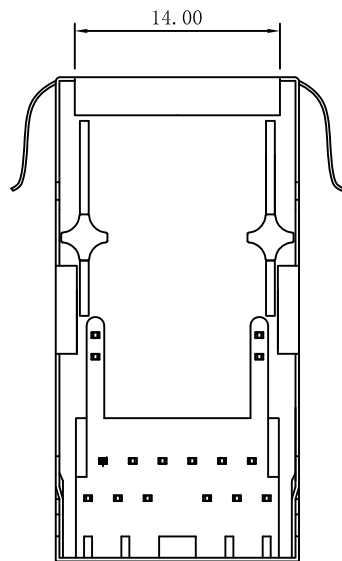
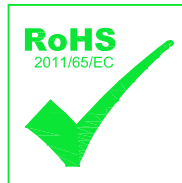
Front Side View



Left Side View



Suggested PCB Layout (Top View)



Bottom Side View



Top Side View

NOTES:

1. Designed to support application, such as SOHO (ADSL modems), LAN-on-Motherboard (LOM), hub and Switches.
2. Meets IEEE 802.3at specification
3. Connector Materials:
Housing: Thermoplastic UL94V-0
Contact/Shield: Copper alloy
Shield plating: Nickel
Contact plating: Gold 6 micro-inches min. In contact area.
4. Wave solder tip temperature: 265°C Max, 5 Sec.
5. UL Certification: File Number E484635.

X:X ±0.30	APPD:	LINK-PP INT'L TECHNOLOGY CO., LIMITED
X:XX ±0.25	CHKD:	
X:XXX ±0.05	DR: SEA	TITLE: RJ45 Connector with 5G Base-T Integrated Magnetics For PoE+ Application
ANGLES ±1°	UNIT: mm	PART NO.: LPJK9094A9NL
	SCALE: 2/1	SHEET: 2/2
	REV: A	DWG NO.: LP19071801