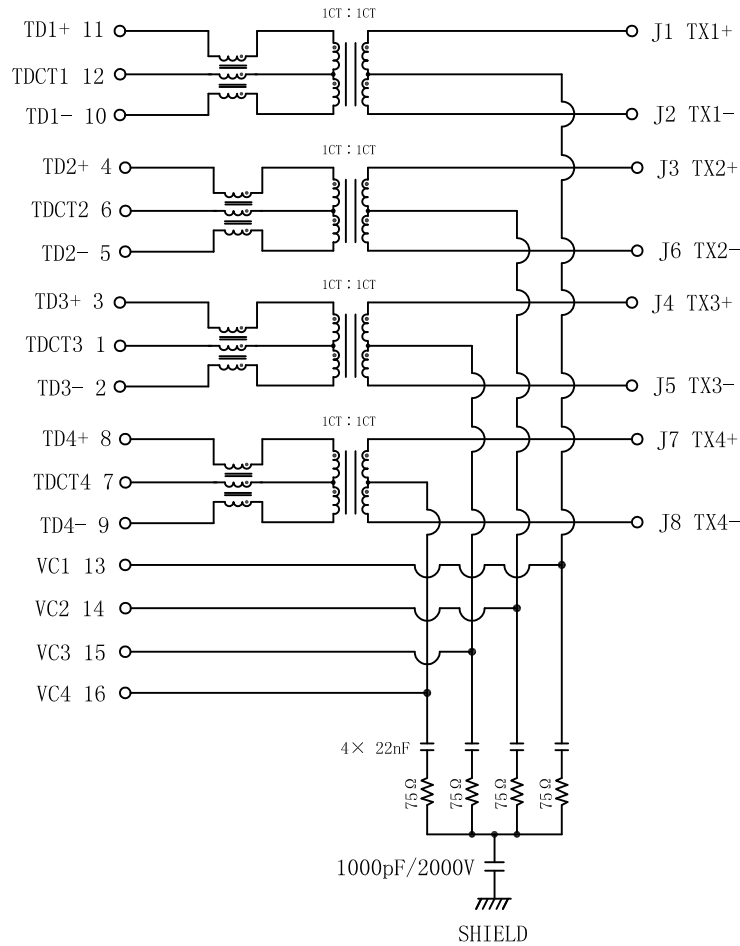


# Schematic:

REV.	ECN NO.	DESCRIPTION	DATE	APPD
A	REL		2019-06-29	

PC BOARD CONNECTIONS

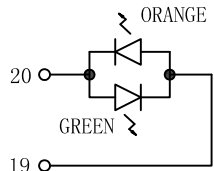


RJ45 CONNECTOR

## ELECTRICAL SPECIFICATIONS @25°C

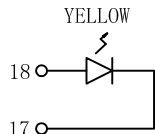
- Turn Ratio ( $\pm 2\%$ ):  
Pri : Sec = 1CT : 1CT
- Inductance OCL:  
180uH MIN @100KHz 0.1Vrms
- Insertion Loss (dB Max):  
100KHz: -3.0                      1~100MHz: -1.0  
100~500MHz: -3.0
- Return Loss (dB Min):  
1~100MHz: -22  
100~500MHz: -22+18.27\*LOG (f/100)
- Cross talk (dB Min):  
1~100MHz: -28                      100~500MHz: -19
- CDMR (dB Min):  
1~250MHz: -30                      250~500MHz: -22
- Balance DC Line current:  
1.0A MAX, @57VDC Continuous.
- Hipot Test: 1500Vrms
- Operating Temperature Range: 0°C ~ 70°C.

Emitting Color	$\lambda_p$ (nm)	V <sub>F</sub> @I <sub>F</sub> =20mA	I <sub>R</sub> @V <sub>R</sub> =5V
ORANGE / GREEN	610 / 565	1.8~2.6V	10 $\mu$ A max
YELLOW	585	1.8~2.6V	10 $\mu$ A max



LEFT LED

LED POLARITY		COLOR
PIN 20	PIN 19	
+	-	GREEN
-	+	ORANGE



RIGHT LED

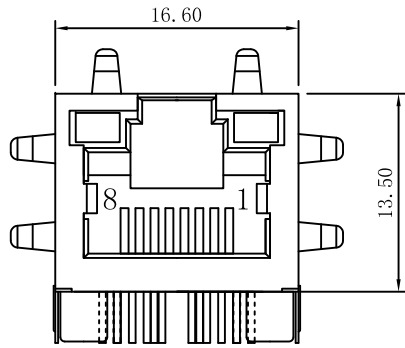
LED POLARITY		COLOR
PIN 18	PIN 17	
+	-	YELLOW



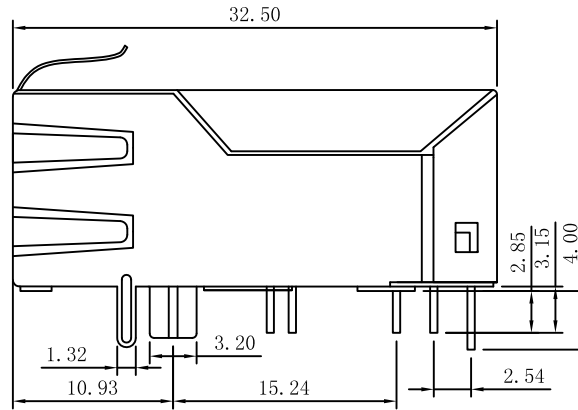
X:X	$\pm 0.30$	APPD:	LINK-PP INT'L TECHNOLOGY CO., LIMITED
X:XX	$\pm 0.25$	CHKD:	
X:XXX	$\pm 0.05$	DR: SEA	
ANGLES	$\pm 1^\circ$	UNIT: mm	PART NO.: LPJK9093AONL
	SCALE: 2/1	SHEET: 1/2	REV: A      DWG NO.: LP19062942

# Mechanical :

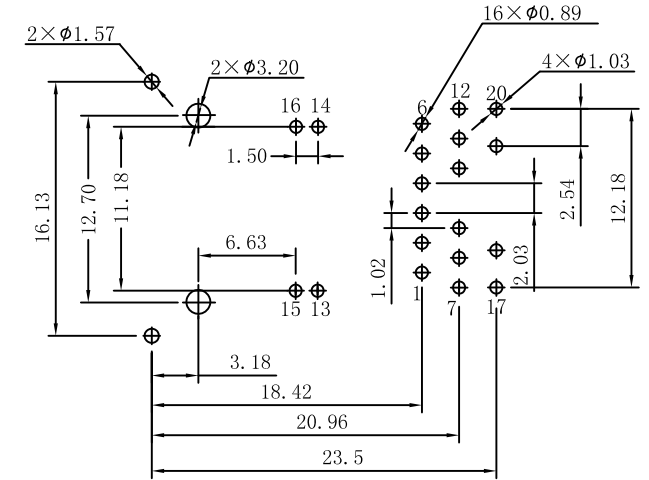
REV.	ECN NO.	DESCRIPTION	DATE	APPD
A	REL		2019-06-29	



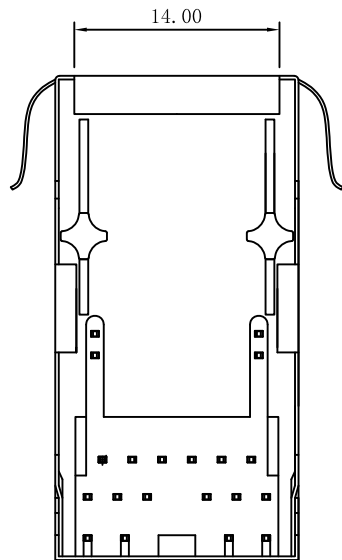
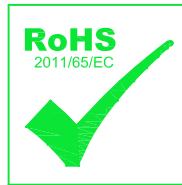
Front Side View



Left Side View



Suggested PCB Layout (Top View)



Bottom Side View



Top Side View

## NOTES:

1. Designed to support application, such as SOHO (ADSL modems), LAN-on-Motherboard (LOM), hub and Switches.
2. Meets IEEE 802.3bt specification
3. Connector Materials:  
Housing: Thermoplastic UL94V-0  
Contact/Shield: Copper alloy  
Shield plating: Nickel  
Contact plating: Gold 6 micro-inches min. In contact area.
4. Wave solder tip temperature: 265°C Max, 5 Sec.
5. UL Certification: File Number E484635.

X:X ±0.30	APPD:	LINK-PP INT'L TECHNOLOGY CO., LIMITED
X:XX ±0.25	CHKD:	
X:XXX ±0.05	DR: SEA	TITLE: RJ45 Connector with 10G Base-T Integrated Magnetics For PoE++ Application
ANGLES ±1°	UNIT: mm	PART NO.: LPJK9093AONL
	SCALE: 2/1	SHEET: 2/2
	REV: A	DWG NO.: LP19062942