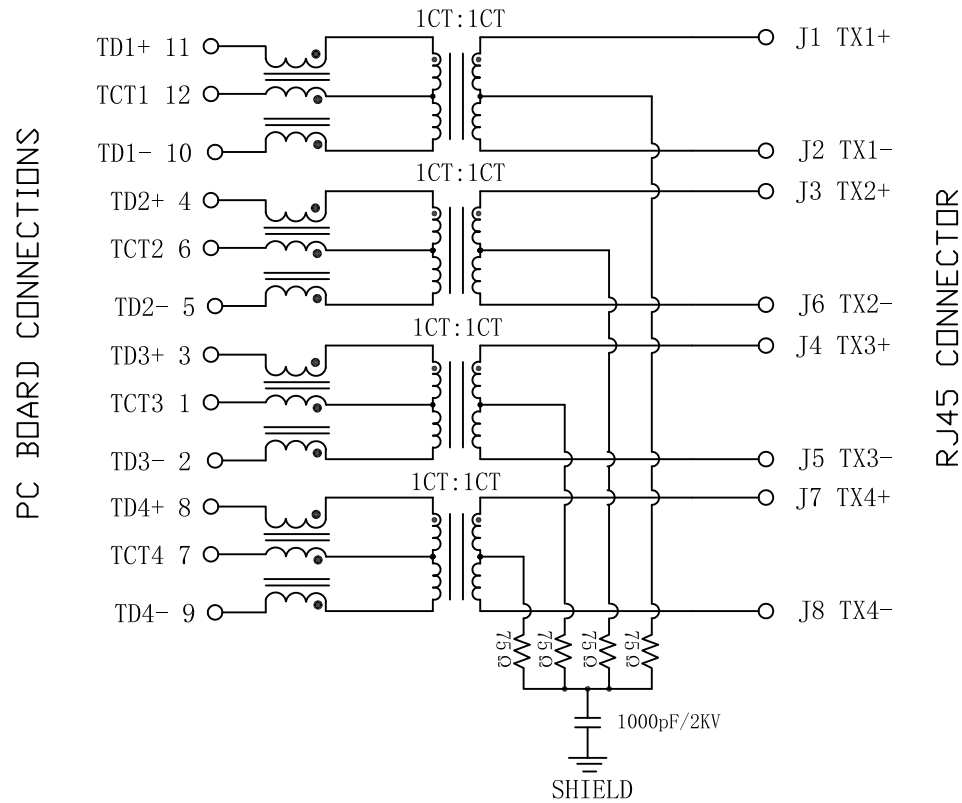


Schematic:

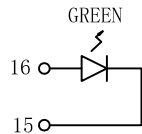
REV.	ECN NO.	DESCRIPTION	DATE	APPD
A	REL		2015-04-21	



Electrical Specifications @25°C

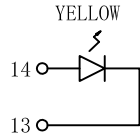
- Turns Ratio ($\pm 2\%$):
Pri:Sec = 1CT:1CT
- OCL:
200uH Min @100KHz/0.1Vrms
- Insertion Loss (dB Max):
0.1-10MHz: -1.0 100-650MHz: -3.0
- Return Loss (dB Min):
1-40MHz: -18 40-400MHz: -8
400-500MHz: -5
- Crosstalk (dB Min):
1-500MHz: -30
- CMDR (dB Min):
1-500MHz: -25
- Hi-Pot: 1500Vrms @60Hz
- Operating Temperature: 0°C ~ 70°C.

Emitting Color	λ p(nm)	VF@IF=20mA	IR @VR=5V
GREEN	565	1.8~2.6V	10 μ A max
YELLOW	585	1.8~2.6V	10 μ A max



LEFT LED

LED POLARITY		COLOR
PIN 16	PIN 15	COLOR
+	-	GREEN



RIGHT LED

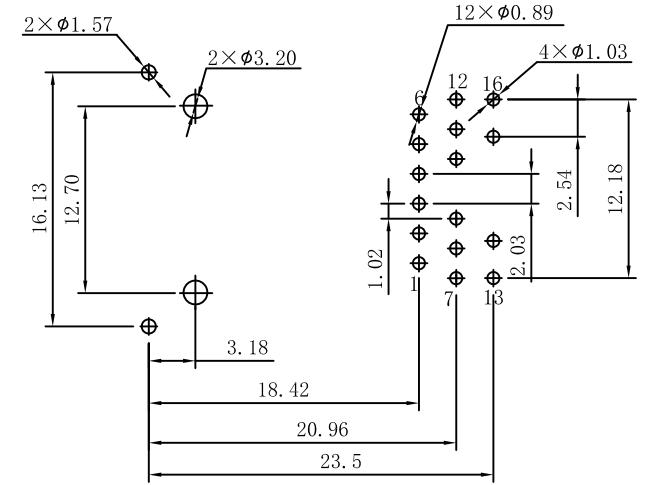
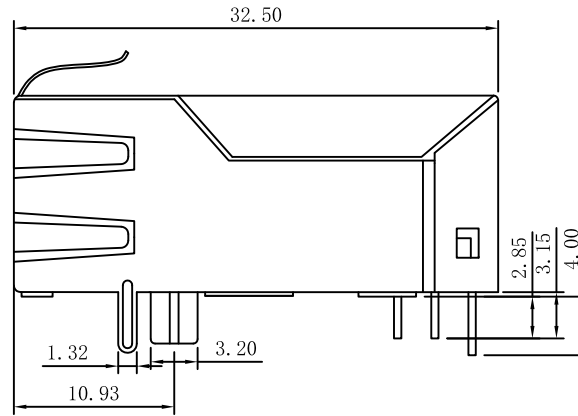
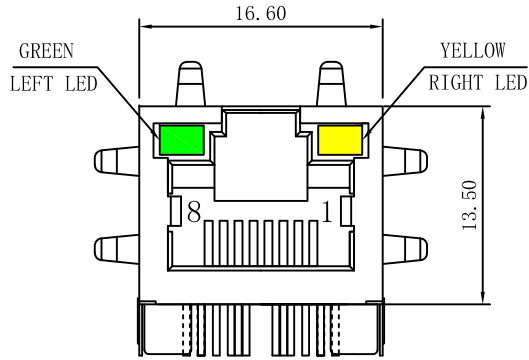
LED POLARITY		COLOR
PIN 14	PIN 13	COLOR
+	-	YELLOW



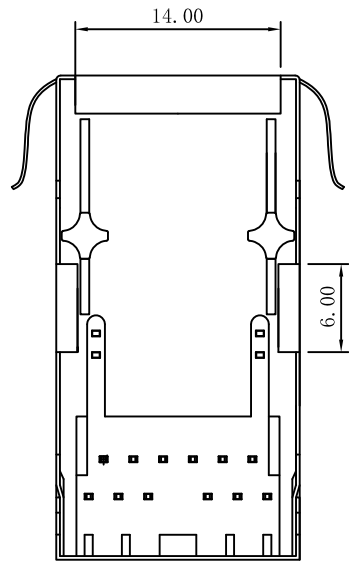
X:X	± 0.30	APPD:	LINK-PP INT'L TECHNOLOGY CO., LIMITED	
X:XX	± 0.25	CHKD:	TITLE: RJ45 Connector with 10G Base-T Integrated Magnetics	
X:XXX	± 0.05	DR: TOM	PART NO.: LPJK9036AHNL	
ANGLES	$\pm 1^\circ$	UNIT: mm	DWG NO.: LP15042101	
	SCALE: 2/1	SHEET: 1/2	REV: A	

Mechanical :

REV.	ECN NO.	DESCRIPTION	DATE	APPD
A	REL		2015-04-21	



Suggested PCB Layout (Top View)



Bottom Side View



Top Side View

NOTES:

1. Designed to support application, such as SOHO (ADSL modems), LAN-on-Motherboard (LOM), hub and Switches.
2. Meets IEEE 802.3 specification
3. Connector Materials:
 Housing: Thermoplastic UL94V-0
 Contact/Shield: Copper alloy
 Shield plating: Nickel
 Contact plating: Gold 6 micro-inches Min. In contact area.
4. Wave peak temperature: 260°C Max, 5Sec.
5. UL Certification: File Number E484635.



X:X ±0.30	APPD:	LINK-PP INT'L TECHNOLOGY CO., LIMITED		
X:XX ±0.25	CHKD:	TITLE: RJ45 Connector with 10G Base-T Integrated Magnetics		
X:XXX ±0.05	DR: TOM	PART NO.: LPJK9036AHNL		
ANGLES ±1°	UNIT: mm			
	SCALE: 2/1	SHEET: 2/2	REV: A	DWG NO.: LP15042101