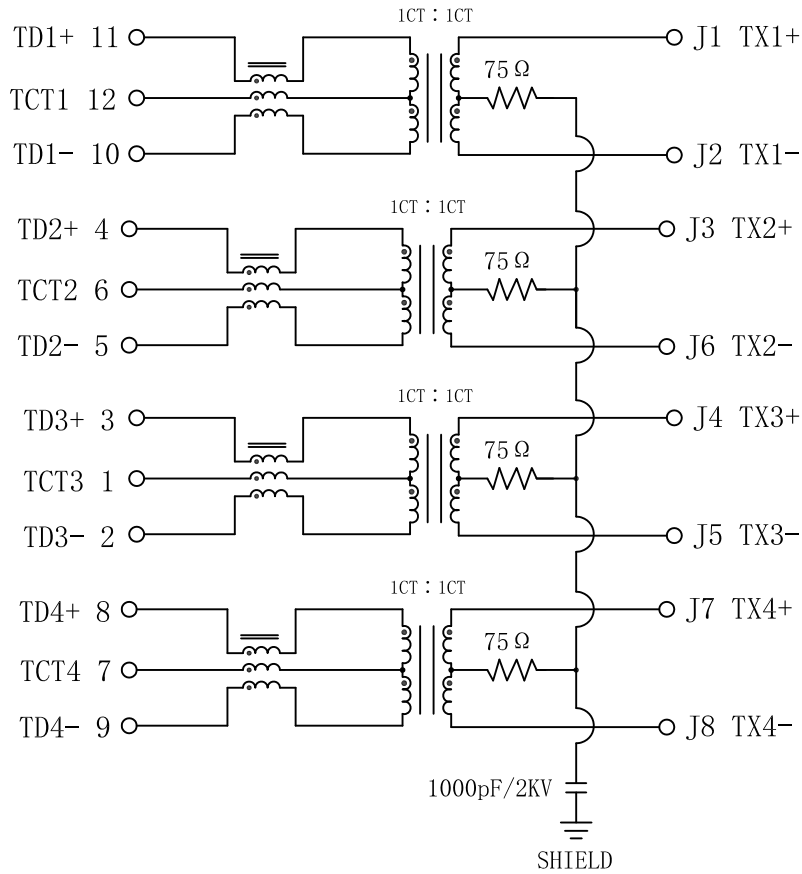


# Schematic:

REV.	ECN NO.	DESCRIPTION	DATE	APPD
A	REL		2018/10/12	

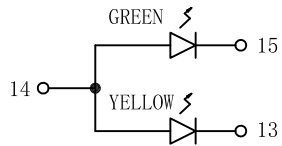
PC BOARD CONNECTIONS



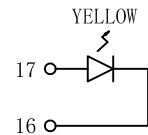
RJ45 CONNECTOR

## Electrical Specifications @25°C

- Turns Ratio ( $\pm 2\%$ ):  
Pri:Sec = 1CT:1CT
- OCL:  
140uH Min @100KHz/0.1Vrms
- Insertion Loss (dB Max):  
1-40MHz: -0.8                      40-125MHz: -1.2  
125-250MHz: -3.0
- Return Loss (dB Min):  
1-40MHz: -16                      40-80MHz: -14  
100-125MHz: -12                      125-250MHz: -8
- Crosstalk (dB Min):  
1-30MHz: -30                      100-250MHz: -18
- CMR (dB Min):  
1-250MHz: -40
- Hi-Pot: 1500Vrms @60Hz
- Operating Temperature: 0°C ~ 70°C.



LEFT LED



RIGHT LED

LED POLARITY			COLOR
PIN 13	PIN 14	PIN 15	
-	+	/	YELLOW
/	+	-	GREEN

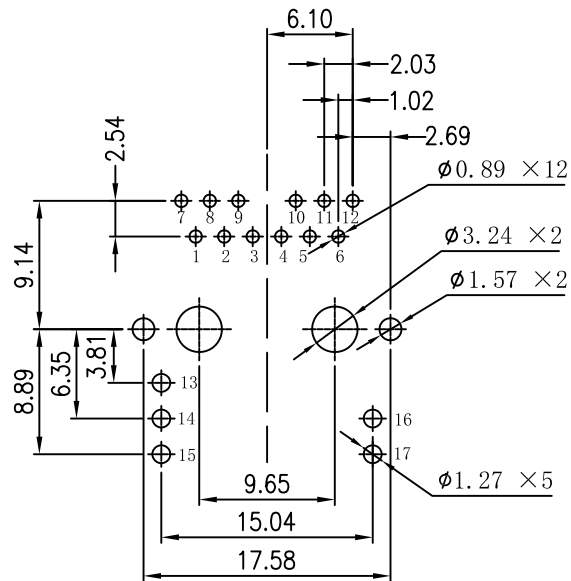
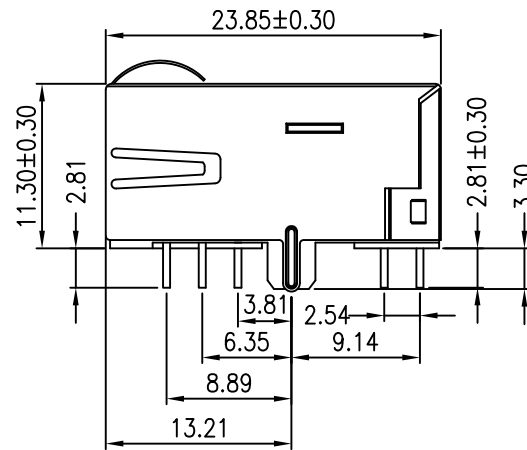
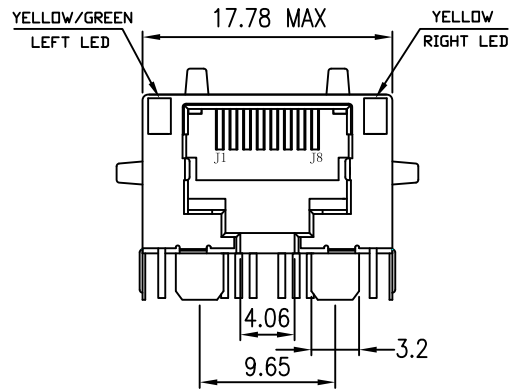
LED POLARITY			COLOR
PIN 16	PIN 17		
-	+		GREEN

Emitting Color	$\lambda$ p(nm)	VF@IF=20mA	IR @VR=5V
YELLOW / GREEN	585 / 565	1.8-2.6V	10 $\mu$ A max
GREEN	565	1.8-2.6V	10 $\mu$ A max

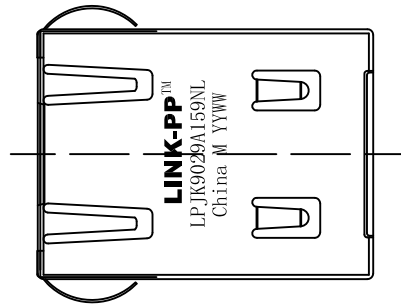
X:X	$\pm 0.30$	APPD:	LINK-PP INT'L TECHNOLOGY CO., LIMITED
X:XX	$\pm 0.25$	CHKD:	
X:XXX	$\pm 0.05$	DR: TOM	TITLE: RJ45 Connector With 5G Base-T Integrated Magnetic
ANGLES	$\pm 1^\circ$	UNIT: mm	PART NO.: LPJK9029A159NL
	SCALE: 2/1	SHEET: 1/2	REV: A      DWG: LP18101202

# Mechanical:

REV.	ECN NO.	DESCRIPTION	DATE	APPD
A	REL		2018/10/12	



SUGGESTED PCB LAYOUT(TOP VIEW)



## NOTES:

1. Designed to support application, such as SOHO (ADSL modems), LAN-on-Motherboard (LOM), hub and Switches.
2. Meets IEEE 802.3 specification
3. Connector Materials:  
Housing: Thermoplastic UL94V-0  
Contact/Shield: Copper alloy  
Shield plating: Nickel  
Contact plating: Gold 6 micro-inches Min. In contact area.
4. Wave peak temperature: 260°C Max, 5Sec.
5. UL Certification: File Number E484635.



X:X	±0.30	APPD:	LINK-PP INT'L TECHNOLOGY CO., LIMITED	
X:XX	±0.25	CHKD:	TITLE: RJ45 Connector With 5G Base-T Integrated Magnetic	
X:XXX	±0.05	DR: TOM	PART NO.: LPJK9029A159NL	
ANGLES	±1°	UNIT: mm		
	SCALE: 2/1	SHEET: 2/2	REV: A	DWG: LP18101202