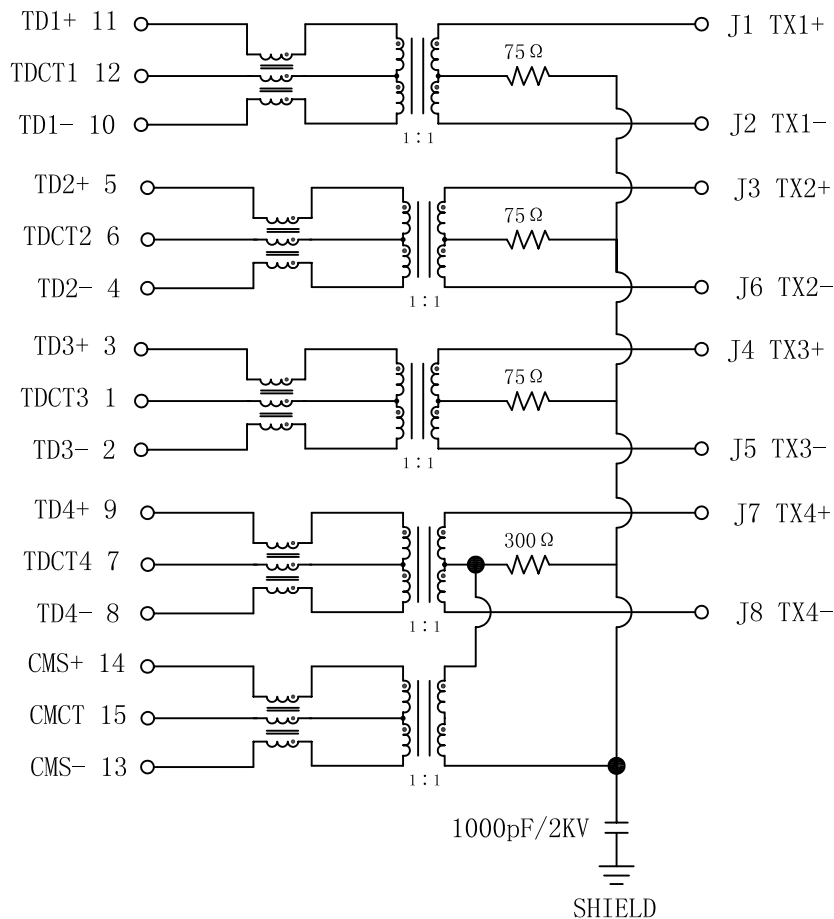


Schematic:

REV.	ECN NO.	DESCRIPTION	DATE	APPD
A	REL		2013/07/04	

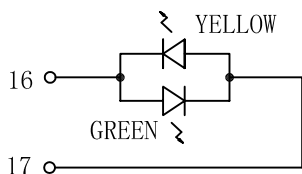
PC BOARD CONNECTIONS



RJ45 CONNECTOR

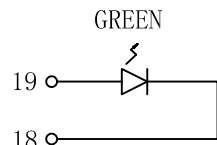
Electrical Specifications @25°C

- Inductance (OCL): 180uH Min @100KHz, 100mV
- Turns Ratio ($\pm 2\%$): 1CT:1CT
- Insertion Loss:
100KHz: -3.0dB Max
1-400MHz: -2.0dB Max (-1.4dB Typ)
- Return Loss (dB Min, @100 $\Omega \pm 1\%$):
1-100MHz: -22
100-500MHz: -22+18.27*LOG(f/100)
- Crosstalk (dB Min):
1-100MHz: -28 100-500MHz: -19
- Common Mode Rejection Ratio (dB Min):
1-100MHz: -35 100-300MHz: -30
300-500MHz: -25
- Common to Differential Mode Rejection:
1-250MHz: -30dB Min
250-500MHz: -22dB Min
- Hipot: 1500Vrms Min @60Hz
- Operating Temperature: 0°C ~ 70°C.



LEFT LED

LED POLARITY		COLOR
PIN 16	PIN 17	
+	-	GREEN
-	+	YELLOW



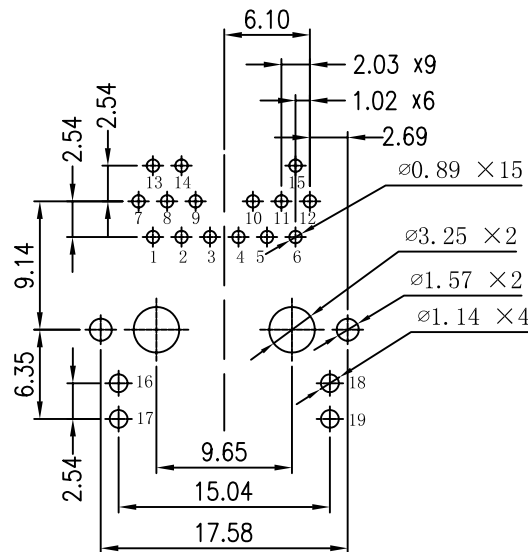
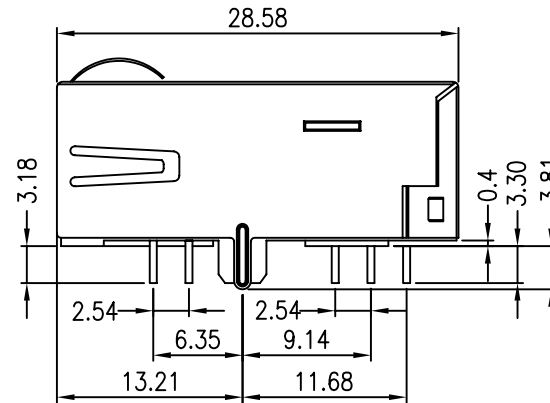
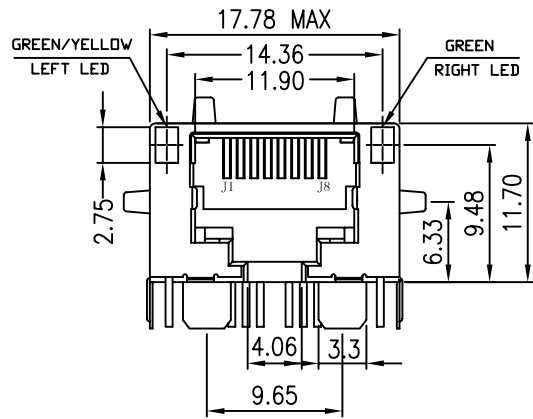
RIGHT LED

LED POLARITY		COLOR
PIN 18	PIN 19	
-	+	GREEN

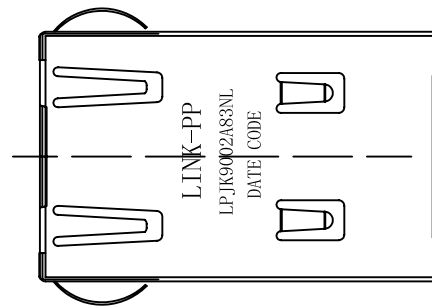
X:X	± 0.20	APPD:	LINK-PP
X:XX	± 0.10	CHKD:	
X:XXX	± 0.05	DR: TOM	TITLE: RJ45 Connector With 10G Base-T Integrated Magnetic
ANGLES	$\pm 1^\circ$	UNIT: mm	PART NO.: LPJK9002A83NL
	SCALE: 2/1	SHEET: 1/2	REV: A DWG: LP11021020

Mechanical:

REV.	ECN NO.	DESCRIPTION	DATE	APPD
A	REL		2011/02/10	



SUGGESTED PCB LAYOUT(TOP VIEW)



NOTES:

1. Designed to support application, such as SOHO (ADSL modems), LAN-on-Motherboard (LOM), hub and Switches.
2. Meets IEEE 802.3 specification
3. Connector Materials:
Housing: Thermoplastic UL94V-0
Contact/Shield: Copper alloy
Shield plating: Nickel
Contact plating: Gold 6 micro-inches min. In contact area.
4. Wave peak temperature: 260°C, 5Sec.



X:X	±0.20	APPD:	LINK-PP LINK-PP INT'L TECHNOLOGY CO., LIMITED
X:XX	±0.10	CHKD:	
X:XXX	±0.05	DR: TOM	TITLE: RJ45 Connector With 10G Base-T Integrated Magnetic
ANGLES	±1°	UNIT: mm	PART NO.: LPJK9002A83NL
	SCALE: 2/1	SHEET: 2/2	REV: A DWG: LP11021020