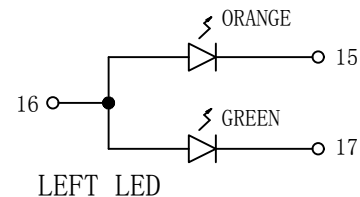
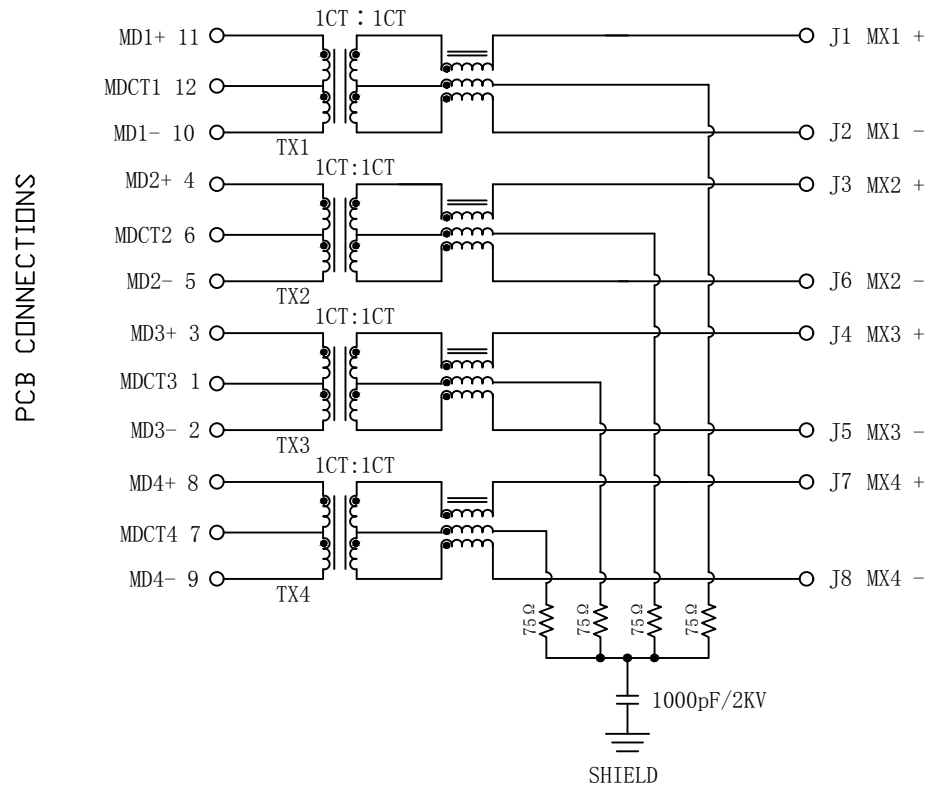


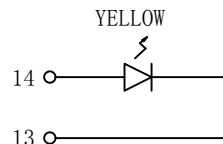
Schematic:

REV.	ECN NO.	DESCRIPTION	DATE	APPD
A6	REL		2022/03/29	



LEFT LED

LED POLARITY			COLOR
PIN 15	PIN 16	PIN 17	
-	+	/	ORANGE
/	+	-	GREEN



RIGHT LED

LED POLARITY			COLOR
PIN 13	PIN 14		
-	+		YELLOW

RJ45 CONNECTOR

- Electrical Specification @25°C
- Turns Ratio ($\pm 2\%$) : 1CT : 1CT
 - OCL: 350uH Min @100KHz/100mVrms 8mA DC Bias
 - Insertion Loss (dB Max):
 - 0.5~100MHz:-0.8
 - 100~125MHz:-1.2
 - Return Loss (dB Min @100 OHMS $\pm 15\%$):
 - 0.5~40MHz:-18
 - 50~100MHz:-[12-20LOG(f/80MHz)]
 - Crosstalk (dB Min):
 - 0.5~40MHz:-35
 - 40~100MHz:-[33-20LOG(f/50MHz)]
 - Common Mode Rejection Ratio:
 - 0.5~100MHz:-30dB Min
 - Isolation PHY SIDE To Line SIDE : 1500Vrms
 - Operating Temperature: -40°C ~ +85°C.

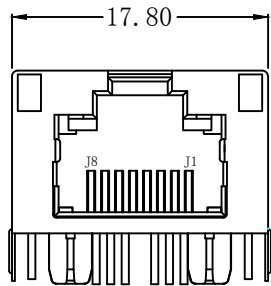
Emitting Color	λ_p (nm)	VF@IF=20mA	IR @VR=5V
ORANGE	610	1.8~2.6V	10 μ A max
GREEN	565	1.8~2.6V	10 μ A max
YELLOW	585	1.8~2.6V	10 μ A max



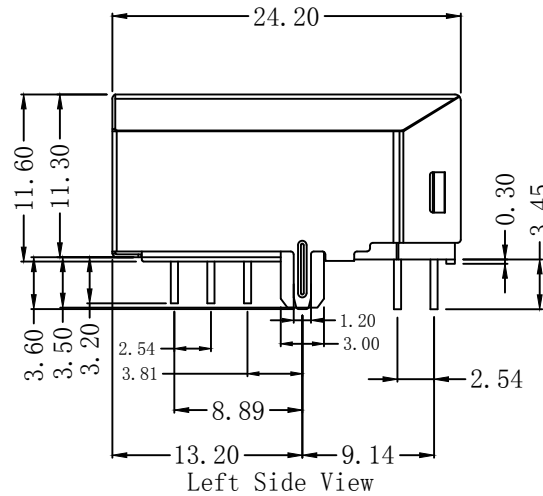
X:X	± 0.30	APPD: TOM	LINK-PP INT'L TECHNOLOGY CO., LIMITED
X:XX	± 0.25	CHKD: JAMES	
X:XXX	± 0.05	DR: LEO	TITLE: RJ45 Connector With 1000 Base-TX Integrated Magnetic
ANGLES	$\pm 1^\circ$	UNIT: mm	PART NO.: LPJK7403B98NL
	SCALE: 2/1	SHEET: 1/2	REV: A6 DWG: LP22032916

Mechanical:

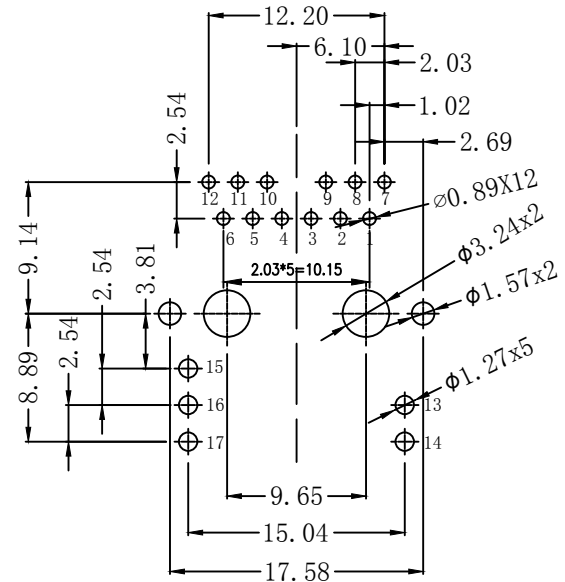
REV.	ECN NO.	DESCRIPTION	DATE	APPD
A6	REL		2022/03/29	



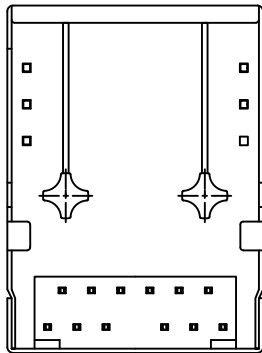
Front Side View



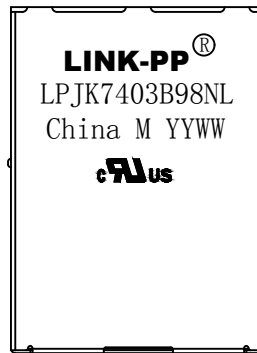
Left Side View



Suggested PCB Layout (Top View)



Bottom Side View



Top Side View

NOTES:

1. Designed to support application, such as SOHO (ADSL modems), LAN-on-Motherboard (LOM), hub and Switches.
2. Meets IEEE 802.3 specification
3. Connector Materials:
Housing: Thermoplastic PBT UL94V-0
Contact/Shield: Copper alloy
Shield plating: Nickel
Shield: SUS 304-1/2H Thickness=0.2mm
Contact plating: Gold 6 micro-inches min. In contact area.
4. Wave solder tip temperature: 250°C, 5 Sec.
5. UL Certification: File Number E484635.



X:X	±0.30	APPD:	TOM	LINK-PP INT'L TECHNOLOGY CO., LIMITED
X:XX	±0.25	CHKD:	JAMES	
X:XXX	±0.05	DR:	LEO	TITLE: RJ45 Connector With 1000 Base-TX Integrated Magnetic
ANGLES	±1°	UNIT:	mm	PART NO.: LPJK7403B98NL
	SCALE:	2/1	SHEET:	2/2
	REV:	A6	DWG:	LP22032916