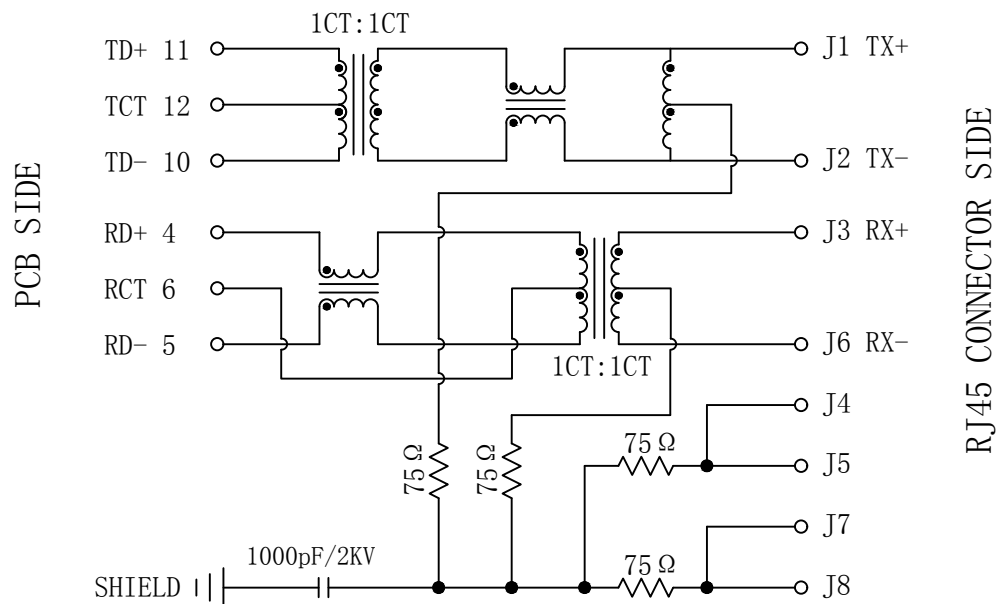


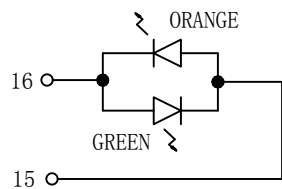
# Schematic:

| REV. | ECN NO. | DESCRIPTION | DATE       | APPD |
|------|---------|-------------|------------|------|
| A    | REL     |             | 2012/06/12 |      |



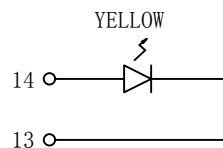
## Electrical Specification @25°C

- Turns Ratio:  
TX=1CT : 1CT                      RX=1CT : 1CT
- OCL: 350uH Min @100KHz/100mVrms  
8mA DC Bias (0°C~70°C)
- Insertion Loss(dB Max):  
0.1~1MHz:-1.1  
1~65MHz:-0.5  
65~100MHz:-0.8  
100~125MHz:-1.2
- Return Loss(dB Min @100 OHMS±15%):  
0.5~40MHz:-18  
50~100MHz:-[12+20LOG(f/80MHz)]
- CM to CM Rej:  
0.1~100MHz:-30dB Min
- CM to DM Rej:  
0.1~100MHz:-35dB Min
- Hipot: 1500Vrms
- Operating Temperature: 0°C~+70°C.



LEFT LED

| LED POLARITY |        | COLOR  |
|--------------|--------|--------|
| PIN 15       | PIN 16 |        |
| -            | +      | GREEN  |
| +            | -      | ORANGE |



RIGHT LED

| LED POLARITY |        | COLOR  |
|--------------|--------|--------|
| PIN 13       | PIN 14 |        |
| -            | +      | YELLOW |

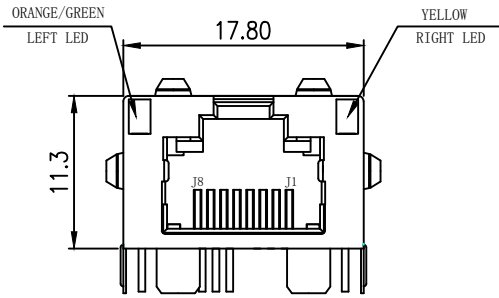


| Emitting Color | λp(nm)  | Vf@I=20mA | IR @Vr=5V |
|----------------|---------|-----------|-----------|
| ORANGE/GREEN   | 610/565 | 1.8~2.6V  | 10 μA max |
| YELLOW         | 585     | 1.8~2.6V  | 10 μA max |

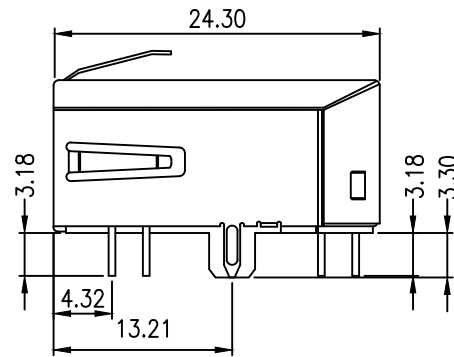
|        |            |             |   |  |
|--------|------------|-------------|---|--|
| X:X    | ±0.25      | APPD: TOM   | LINK-PP INT'L TECHNOLOGY CO., LIMITED                         |  |
| X:XX   | ±0.20      | CHKD: JAMES | TITLE: RJ45 Connector With 10/100 Base-TX Integrated Magnetic |  |
| X:XXX  | ±0.05      | DR: LEO     | PART NO.: LPJK70409AONLV                                      |  |
| ANGLES | ±1°        | UNIT: mm    | DWG: LP12061215   |  |
|        | SCALE: 2/1 | SHEET: 1/2  | REV: A  |  |

# Mechanical :

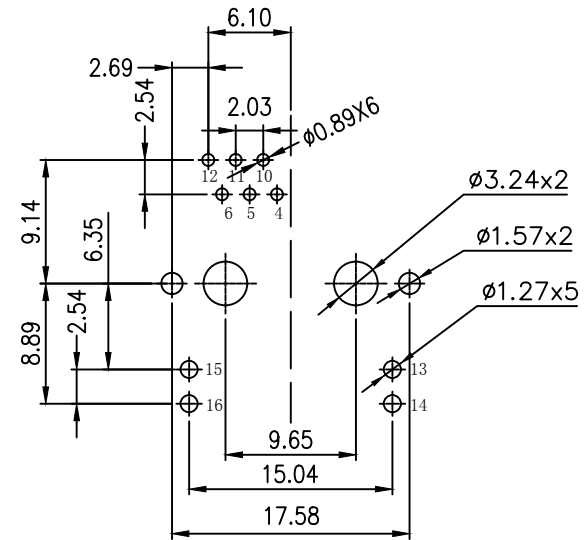
| REV. | ECN NO. | DESCRIPTION | DATE       | APPD |
|------|---------|-------------|------------|------|
| A    | REL     |             | 2012/03/15 |      |



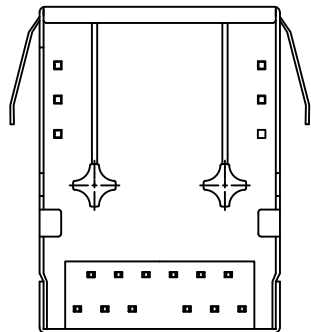
Front Side View



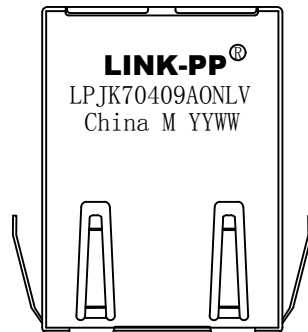
Left Side View



Suggested PCB Layout (Top View)



Bottom Side View



Top Side View

## NOTES:

1. Designed to support application, such as SOHO (ADSL modems), LAN-on-Motherboard (LOM), hub and Switches.
2. Meets IEEE 802.3 specification
3. Connector Materials:  
Housing: Thermoplastic UL94V-0  
Contact/Shield: Copper alloy  
Shield plating: Nickel  
Contact plating: Gold 6 micro-inches min. In contact area.
4. Wave peak temperature: 260°C, 5Sec.
5. UL Certification: File Number E484635.



|        |        |       |        |                                       |
|--------|--------|-------|--------|---------------------------------------|
| X:X    | ±0.25  | APPD: | TOM    | LINK-PP INT'L TECHNOLOGY CO., LIMITED |
| X:XX   | ±0.20  | CHKD: | JAMES  |                                       |
| X:XXX  | ±0.05  | DR:   | LEO    |                                       |
| ANGLES | ±1°    | UNIT: | mm     | PART NO. : LPJK70409AONLV             |
|        | SCALE: | 2/1   | SHEET: | 2/2                                   |
|        | REV:   | A     | DWG:   | LP12061215                            |