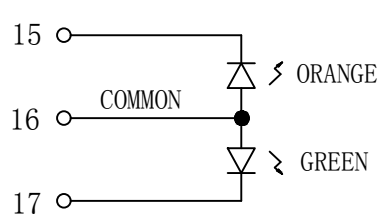
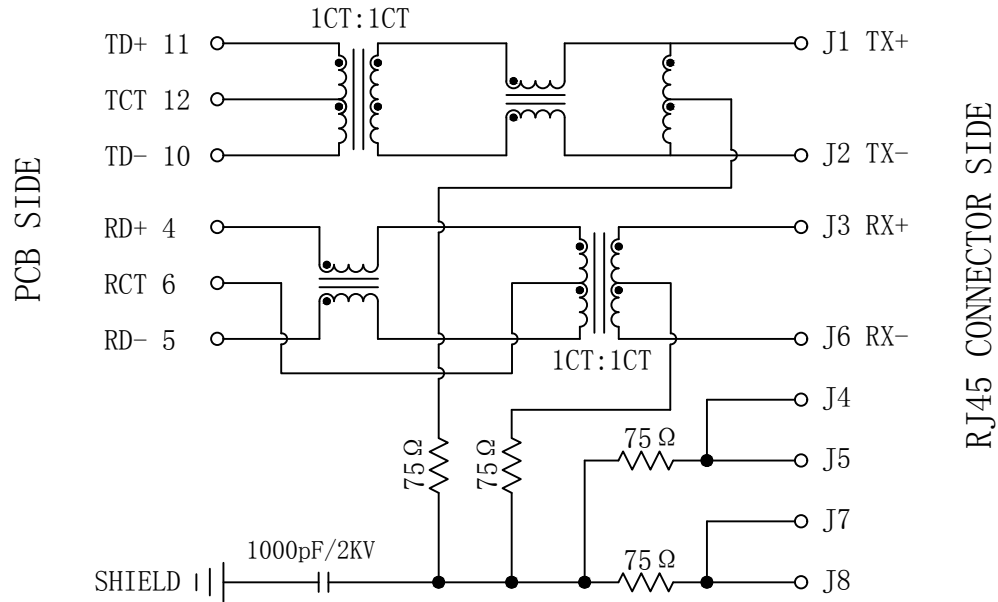
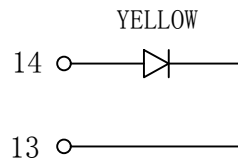


# Schematic:

REV.	ECN NO.	DESCRIPTION	DATE	APPD
A6	REL		2012/06/12	



LEFT LED



RIGHT LED

## Electrical Specification @25°C

- Turns Ratio:  
TX=1CT : 1CT                      RX=1CT : 1CT
- OCL: 350uH Min @100KHz/100mVrms  
8mA DC Bias (0°C~70°C)
- Insertion Loss(dB Max):  
0.1~1MHz:-1.1  
1~65MHz:-0.5  
65~100MHz:-0.8  
100~125MHz:-1.2
- Return Loss(dB Min @100 OHMS±15%):  
0.5~40MHz:-18  
50~100MHz:-[12+20LOG(f/80MHz)]
- CM to CM Rej:  
0.1~100MHz:-30dB Min
- CM to DM Rej:  
0.1~100MHz:-35dB Min
- Isolation PHY SIDE To Line SIDE : 1500Vrms
- Operating Temperature: 0°C~+70°C.

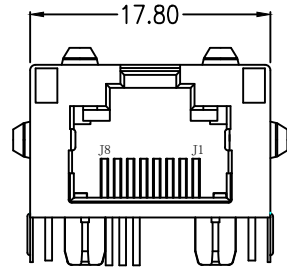
Emitting Color	λp(nm)	VF@IF=20mA	IR @VR=5V
GREEN	565	1.8~2.6V	10 μA max
YELLOW	585	1.8~2.6V	10 μA max
ORANGE	600	1.8~2.6V	10 μA max

X:X	±0.25	APPD: TOM	LINK-PP INT'L TECHNOLOGY CO., LIMITED	
X:XX	±0.20	CHKD: JAMES		
X:XXX	±0.05	DR: LEO	TITLE: RJ45 Connector With 10/100 Base-TX Integrated Magnetic	
ANGLES	±1°	UNIT: mm	PART NO.: LPJK70409A98NLV	
	SCALE: 2/1	SHEET: 1/2	REV: A6	DWG: LP12061215

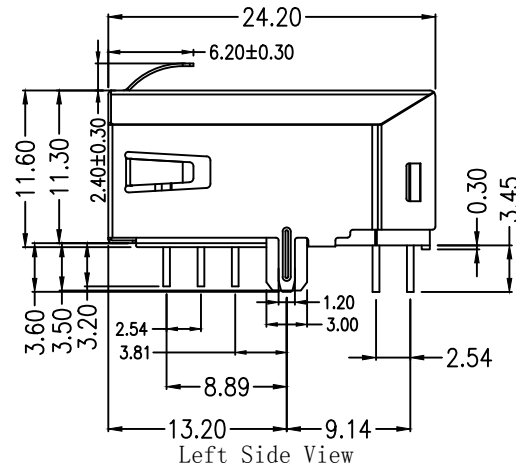


# Mechanical:

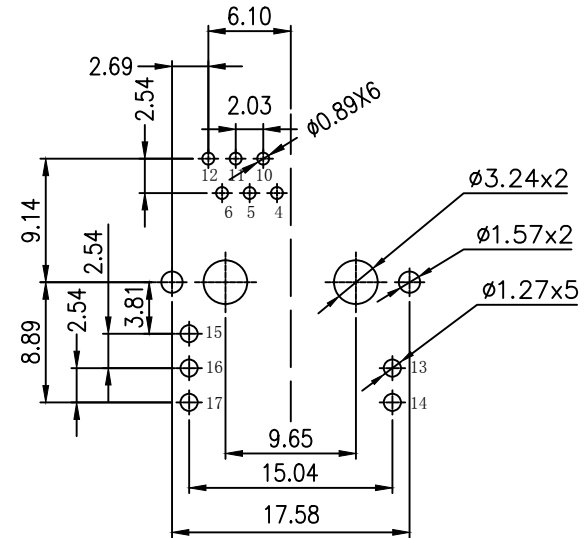
REV.	ECN NO.	DESCRIPTION	DATE	APPD
A6	REL		2012/03/15	



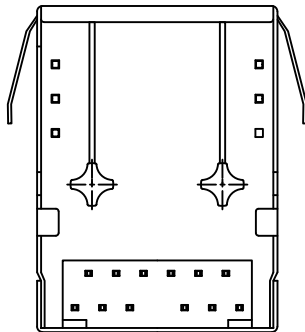
Front Side View



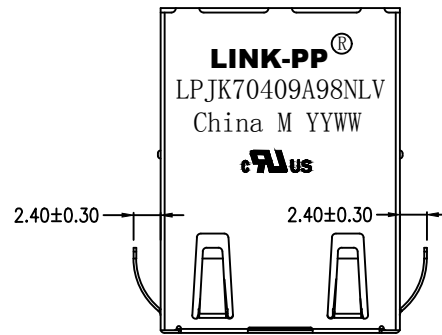
Left Side View



Suggested PCB Layout (Top View)



Bottom Side View



Top Side View

### NOTES:

1. Designed to support application, such as SOHO (ADSL modems), LAN-on-Motherboard (LOM), hub and Switches.
2. Meets IEEE 802.3 specification
3. Connector Materials:  
Housing: Thermoplastic PBT UL94V-0  
Contact/Shield: Copper alloy  
Shield plating: Nickel  
Shield: SUS 304-1/2H Thickness=0.2mm  
Contact plating: Gold 6 micro-inches min. In contact area.
4. Wave solder tip temperature: 250°C, 5 Sec.
5. UL Certification: File Number E484635.



X:X	±0.25	APPD:	TOM	LINK-PP INT'L TECHNOLOGY CO., LIMITED
X:XX	±0.20	CHKD:	JAMES	
X:XXX	±0.05	DR:	LEO	TITLE: RJ45 Connector With 10/100 Base-TX Integrated Magnetic
ANGLES	±1°	UNIT:	mm	PART NO.: LPJK70409A98NLV
	SCALE:	2/1	SHEET:	2/2
	REV:	A6	DWG:	LP12061215