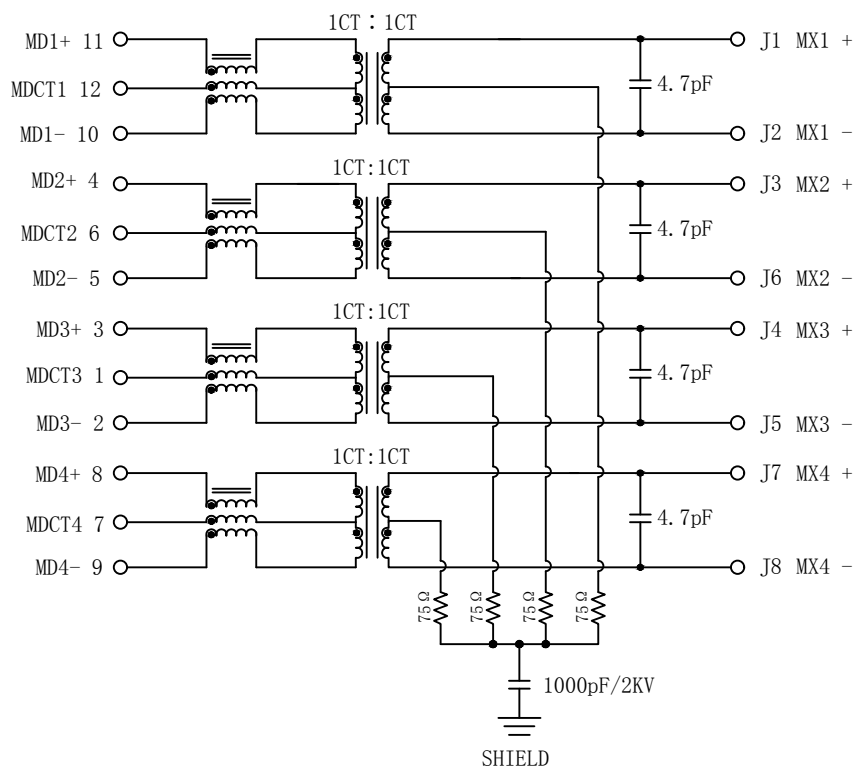


# Schematic:

REV.	ECN NO.	DESCRIPTION	DATE	APPD
A	REL		2013/06/22	

PCB CONNECTIONS



RJ45 CONNECTOR

## Electrical Specification @25°C

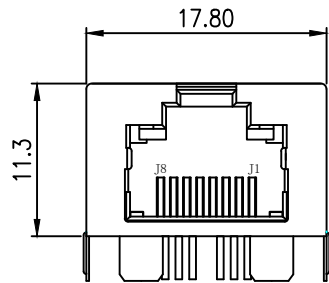
- Turns Ratio ( $\pm 2\%$ ) : 1CT : 1CT
- OCL: 350uH Min @100KHz/100mVrms  
8mA DC Bias (0°C-70°C)
- Insertion Loss(dB Max):  
0.1~1MHz:-1.1      1~65MHz:-0.5  
65~100MHz:-10.8      100~125MHz:-1.2
- Return Loss(dB Min @100Ω $\pm 15\%$ ):  
0.5~40MHz:-18  
40~100MHz:-12+20LOG(f/80MHz)
- CM to CM Rej(dB Min):  
0.1~100MHz:-30dB Min
- CM to DM Rej:  
1~125MHz:-35dB Min
- Hipot: 1500Vrms
- Operating Temperature: 0°C~+70°C.



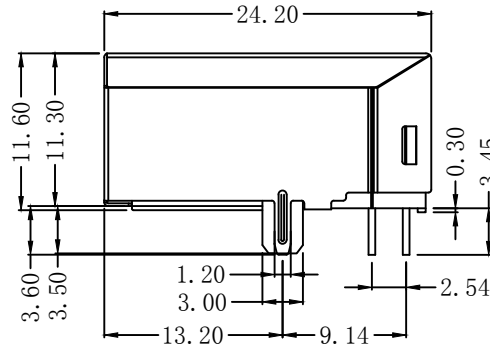
X:X	$\pm 0.30$	APPD: TOM	LINK-PP INT'L TECHNOLOGY CO., LIMITED
X:XX	$\pm 0.25$	CHKD: JAMES	
X:XXX	$\pm 0.05$	DR: LEO	TITLE: RJ45 Connector With 1000 Base-TX Integrated Magnetic
ANGLES	$\pm 1^\circ$	UNIT: mm	PART NO.: LPJK7039DNL
	SCALE: 2/1	SHEET: 1/2	REV: A      DWG: LP13062222

# Mechanical:

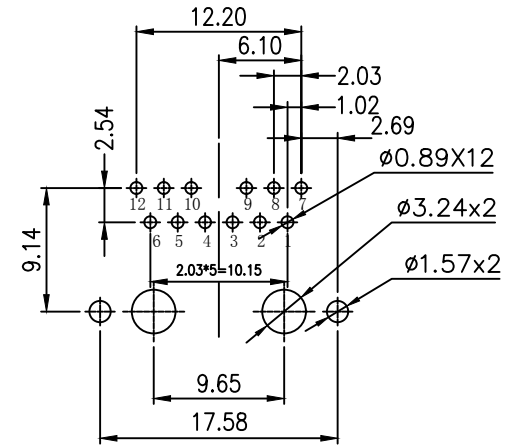
REV.	ECN NO.	DESCRIPTION	DATE	APPD
A	REL		2013/06/22	



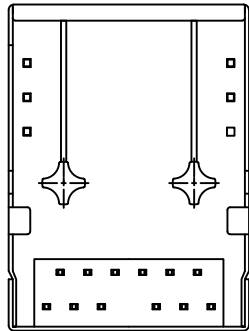
Front Side View



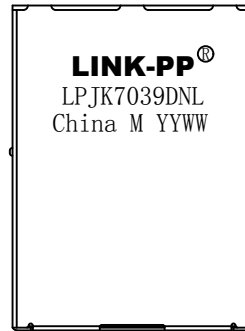
Left Side View



Suggested PCB Layout (Top View)



Bottom Side View



Top Side View

## NOTES:

1. Designed to support application, such as SOHO (ADSL modems), LAN-on-Motherboard (LOM), hub and Switches.
2. Meets IEEE 802.3af specification
3. Connector Materials:  
Housing: Thermoplastic UL94V-0  
Contact/Shield: Copper alloy  
Shield plating: Nickel  
Shield: SUS 304-1/2H Thickness=0.2mm  
Contact plating: Gold 6 micro-inches min. In contact area.
4. Wave solder tip temperature: 260°C, 5 Sec.
5. UL Certification: File Number E484635.



X:X	±0.30	APPD:	TOM	LINK-PP INT'L TECHNOLOGY CO., LIMITED
X:XX	±0.25	CHKD:	JAMES	
X:XXX	±0.05	DR:	LEO	TITLE: RJ45 Connector With 1000 Base-TX Integrated Magnetic
ANGLES	±1°	UNIT:	mm	PART NO.: LPJK7039DNL
	SCALE:	2/1	SHEET:	2/2
	REV:	A	DWG:	LP13062222