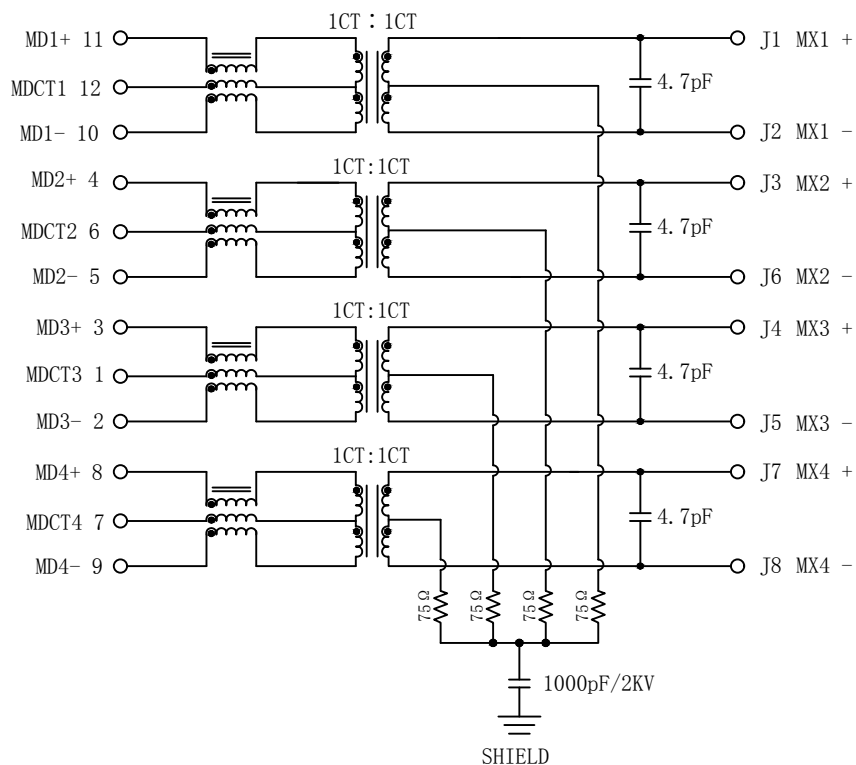


# Schematic:

| REV. | ECN NO. | DESCRIPTION | DATE       | APPD |
|------|---------|-------------|------------|------|
| A    | REL     |             | 2013/06/22 |      |

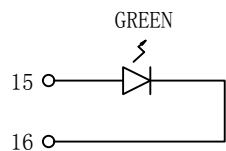
PCB CONNECTIONS



RJ45 CONNECTOR

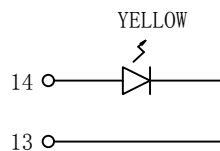
## Electrical Specification @25°C

- Turns Ratio ( $\pm 2\%$ ): 1CT:1CT
- OCL: 350uH Min @100KHz/100mVrms  
8mA DC Bias (0°C-70°C)
- Insertion Loss (dB Max):  
0.1~1MHz:-1.1      1~65MHz:-0.5  
65~100MHz:-10.8      100~125MHz:-1.2
- Return Loss (dB Min @100Ω±15%):  
0.5~40MHz:-18  
40~100MHz:-12+20LOG(f/80MHz)
- CM to CM Rej (dB Min):  
0.1~100MHz:-30dB Min
- CM to DM Rej:  
1~125MHz:-35dB Min
- Hipot: 1500Vrms
- Operating Temperature: 0°C~+70°C.



LEFT LED

| LED POLARITY |        | COLOR |
|--------------|--------|-------|
| PIN 15       | PIN 16 |       |
| +            | -      | GREEN |



RIGHT LED

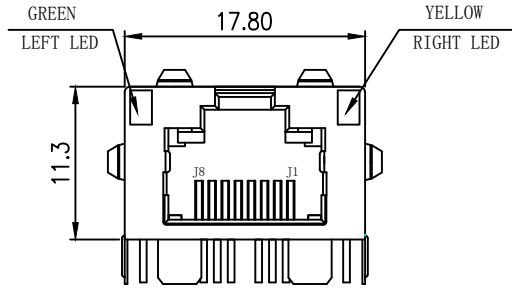
| LED POLARITY |        | COLOR  |
|--------------|--------|--------|
| PIN 13       | PIN 14 |        |
| -            | +      | YELLOW |

| Emitting Color | $\lambda_p$ (nm) | V <sub>F</sub> @I <sub>F</sub> =20mA | I <sub>R</sub> @V <sub>R</sub> =5V |
|----------------|------------------|--------------------------------------|------------------------------------|
| GREEN          | 565              | 1.8~2.6V                             | 10 μA max                          |
| YELLOW         | 585              | 1.8~2.6V                             | 10 μA max                          |

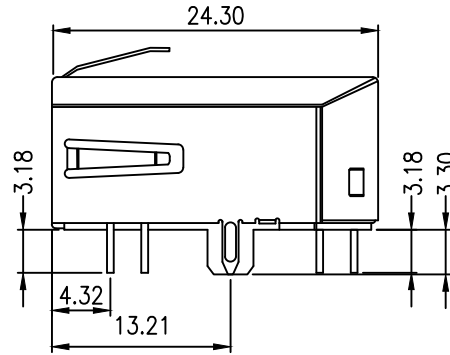
|        |            |             |   |                 |
|--------|------------|-------------|---|-----------------|
| X:X    | ±0.30      | APPD: TOM   | LINK-PP INT'L TECHNOLOGY CO., LIMITED                       |                 |
| X:XX   | ±0.25      | CHKD: JAMES | TITLE: RJ45 Connector With 1000 Base-TX Integrated Magnetic |                 |
| X:XXX  | ±0.05      | DR: TOMEO   | PART NO.: LPJK7039A129NL                                    |                 |
| ANGLES | ±1°        | UNIT: mm    |   |                 |
|        | SCALE: 2/1 | SHEET: 1/2  | REV: A  | DWG: LP13062212 |

# Mechanical :

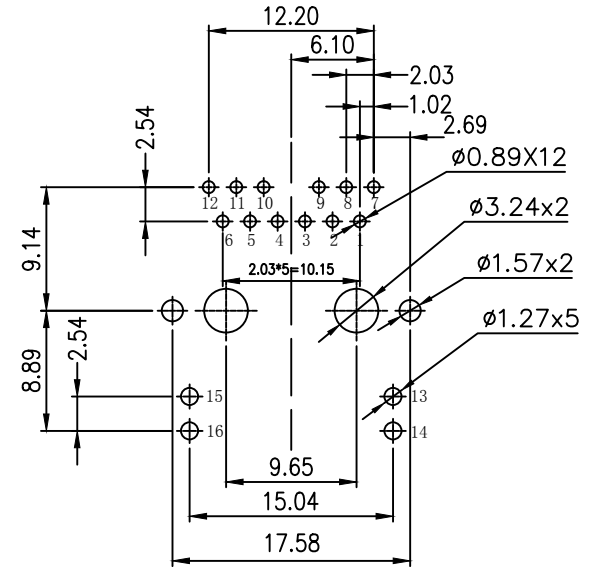
| REV. | ECN NO. | DESCRIPTION | DATE       | APPD |
|------|---------|-------------|------------|------|
| A    | REL     |             | 2013/06/22 |      |



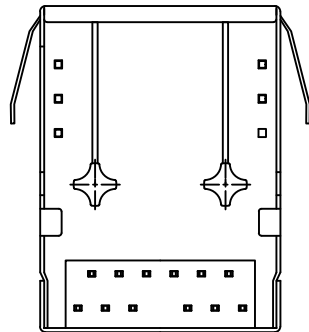
Front Side View



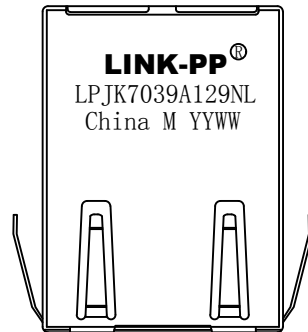
Left Side View



Suggested PCB Layout (Top View)



Bottom Side View



Top Side View

### NOTES:

1. Designed to support application, such as SOHO (ADSL modems), LAN-on-Motherboard (LOM), hub and Switches.
2. Meets IEEE 802.3af specification
3. Connector Materials:  
Housing: Thermoplastic UL94V-0  
Contact/Shield: Copper alloy  
Shield plating: Nickel  
Shield: SUS 304-1/2H Thickness=0.2mm  
Contact plating: Gold 6 micro-inches min. in contact area.
4. Wave solder tip temperature: 250°C, 5 Sec.
5. UL Certification: File Number E484635.



|        |            |            |        |   |
|--------|------------|------------|--------|---|
| X:X    | ±0.30      | APPD:      | TOM    | LINK-PP INT'L TECHNOLOGY CO., LIMITED                       |
| X:XX   | ±0.25      | CHKD:      | JAMES  |   |
| X:XXX  | ±0.05      | DR:        | LEO    | TITLE: RJ45 Connector With 1000 Base-TX Integrated Magnetic |
| ANGLES | ±1°        | UNIT:      | mm     | PART NO.: LPJK7039A129NL                                    |
|        | SCALE: 2/1 | SHEET: 2/2 | REV: A | DWG: LP13062212   |