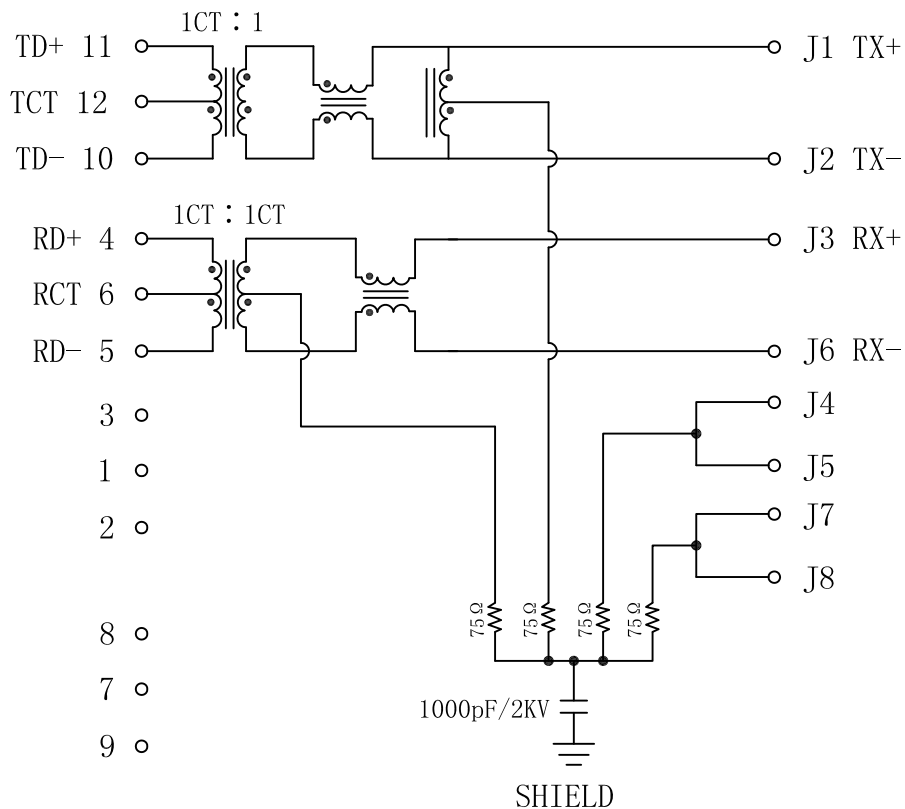


Schematic:

REV.	ECN NO.	DESCRIPTION	DATE	APPD
A	REL		2014/03/28	

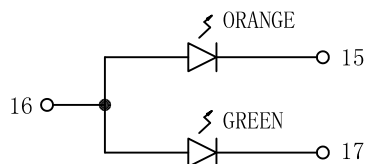
PCB CONNECTIONS



RJ45 CONNECTOR

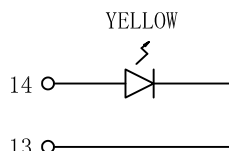
Electrical Specifications @25°C

1. OCL: 350uH MIN
@100KHz, 0.1Vrms, 8mA Bias.
2. Turns Ratio:
TX=1CT : 1 RX=1CT : 1CT
3. Insertion Loss:
0.5-80MHz:-1.3dB MAX
4. Return Loss(@100Ω ±15Ω):
0.5-30MHz:-18dB MIN
30.1-60MHz:-18-20log(f/30MHz) dB MIN
60.1-80MHz:-12dB MIN
5. Crosstalk:
0.5-60MHz:-43dB MIN
60.1-80MHz:-38dB MIN
6. Common Mode Rejection Ratio:
0.5-80MHz:-33dB MIN
7. Hipot: 1500Vrms MIN
8. Operating Temperature: 0°C ~+70°C.



LEFT LED

LED POLARITY			COLOR
PIN 15	PIN 16	PIN 17	
-	+	/	ORANGE
/	+	-	GREEN



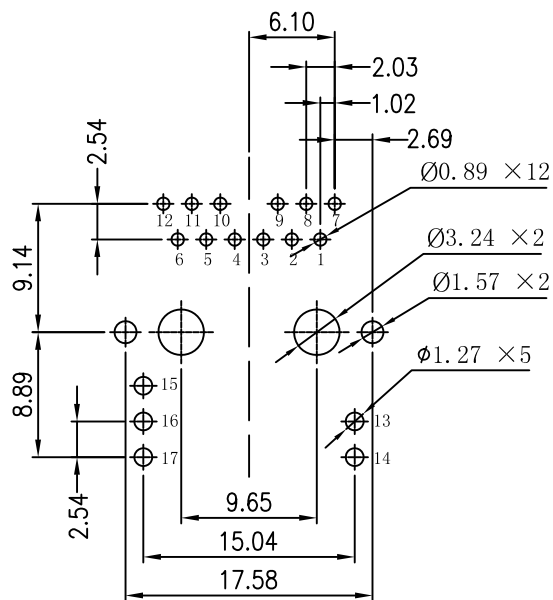
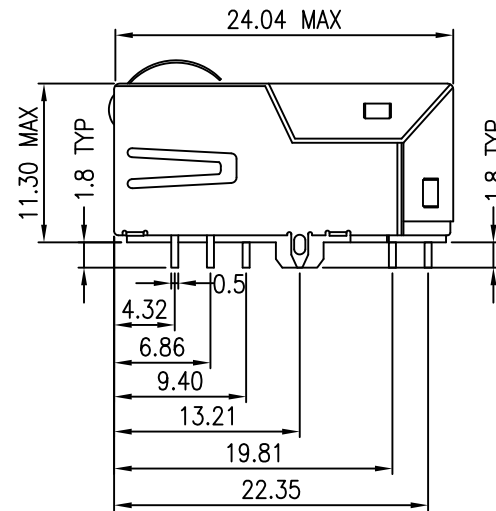
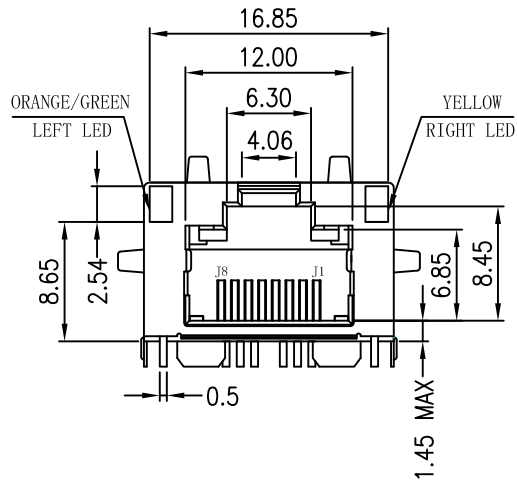
RIGHT LED

LED POLARITY		COLOR
PIN 13	PIN 14	
-	+	YELLOW

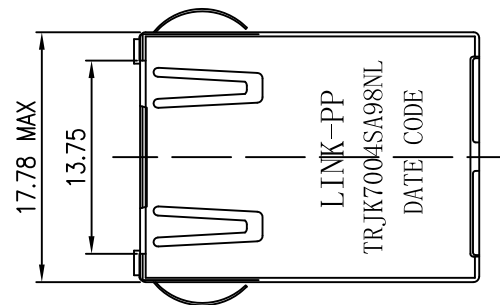


X:X	±0.30	APPD:	LINK-PP INT'L TECHNOLOGY CO., LIMITED	
X:XX	±0.25	CHKD:	TITLE: RJ45 Connector With 10/100 Base-TX Integrated Magnetic	
X:XXX	±0.05	DR: TOM	PART NO.: LPJK7004SA98NL	
ANGLES	±1°	UNIT: mm		
	SCALE: 2/1	SHEET: 1/2	REV: A	DWG: LP14032802

Mechanical:



SUGGESTED PCB LAYOUT(TOP VIEW)



REV.	ECN NO.	DESCRIPTION	DATE	APPD
A	REL		2014/03/28	

NOTES:

1. Designed to support application, such as SOHO (ADSL modems), LAN-on-Motherboard (LOM), hub and Switches.
2. Meets IEEE 802.3 specification
3. Connector Materials:
Housing: Thermoplastic UL94V-0
Contact/Shield: Copper alloy
Shield plating: Nickel
Contact plating: Gold 6 micro-inches Min. In contact area.
4. Wave peak temperature: 260°C, 5Sec.



X:X	±0.30	APPD:	LINK-PP INT'L TECHNOLOGY CO., LIMITED	
X:XX	±0.25	CHKD:	TITLE: RJ45 Connector With 10/100 Base-TX Integrated Magnetic	
X:XXX	±0.05	DR: TOM	PART NO.: LPJK7004SA98NL	
ANGLES	±1°	UNIT: mm		
	SCALE: 2/1	SHEET: 2/2	REV: A	DWG: LP14032802