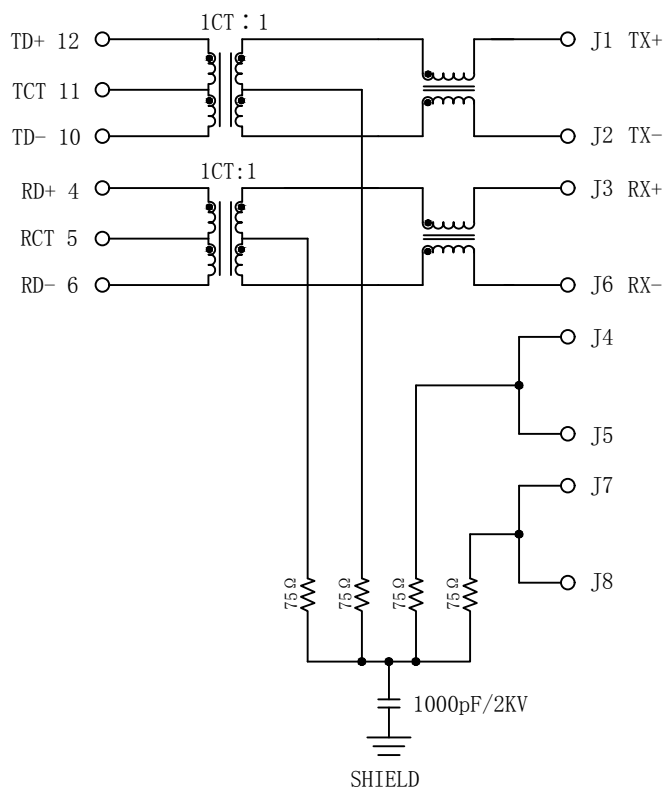


# Schematic:

REV.	ECN NO.	DESCRIPTION	DATE	APPD
A	REL		2012/06/12	

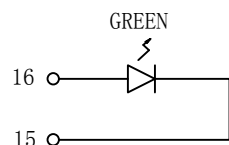
PCB CONNECTIONS



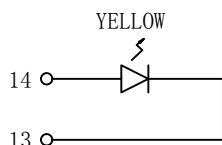
RJ45 CONNECTOR

## Electrical Specification @25°C

- Turns Ratio:  
TX=1CT : 1      RX=1CT : 1
- OCL: 350uH Min @100KHz/100mVrms  
8mA DC Bias (0°C~70°C)
- Insertion Loss(dB Max):  
0.1~1MHz:-1.1  
1~65MHz:-0.5  
65~100MHz:-0.8  
100~125MHz:-1.2
- Return Loss(dB Min @100 OHMS±15%):  
0.5~40MHz:-18  
50~100MHz:-[12+20LOG(f/80MHz)]
- CM to CM Rej:  
0.1~100MHz:-30dB Min
- CM to DM Rej:  
0.1~100MHz:-35dB Min
- Hipot: 1500Vrms
- Operating Temperature: 0°C~+70°C.



LEFT LED



RIGHT LED

LED POLARITY		COLOR
PIN 15	PIN 16	
-	+	GREEN

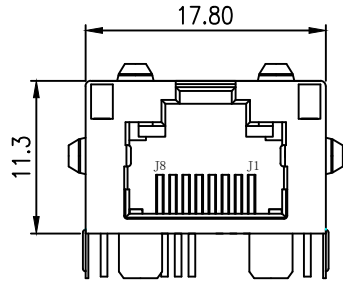
LED POLARITY		COLOR
PIN 13	PIN 14	
-	+	YELLOW



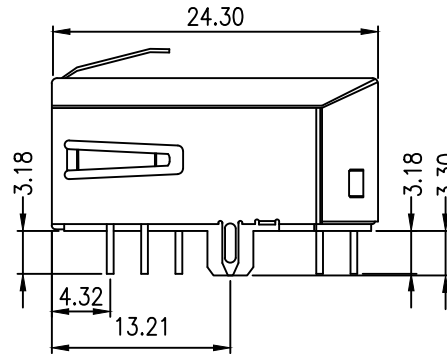
X:X	±0.20	APPD: TOM	LINK-PP INT'L TECHNOLOGY CO., LIMITED
X:XX	±0.10	CHKD: JAMES	
X:XXX	±0.05	DR: LEO	
ANGLES	±1°	UNIT: mm	TITLE: RJ45 Connector With 10/100 Base-TX Integrated Magnetic
PART NO.:			LPJK7001AHNL
SCALE: 2/1		SHEET: 1/2	REV: A
DWG: LP12061203			

# Mechanical :

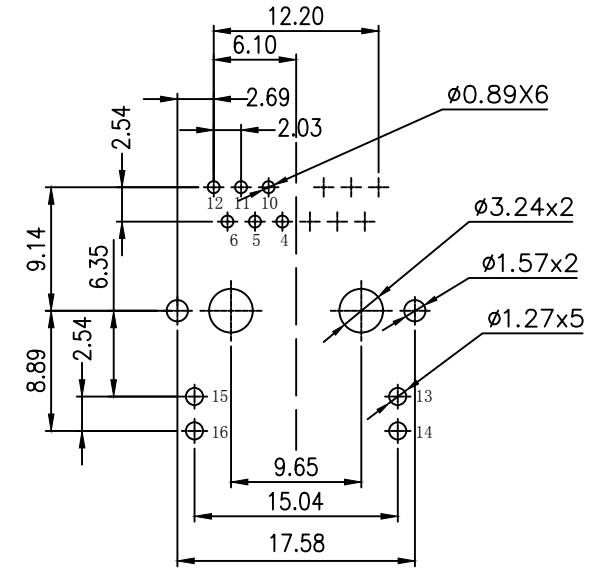
REV.	ECN NO.	DESCRIPTION	DATE	APPD
A	REL		2012/03/15	



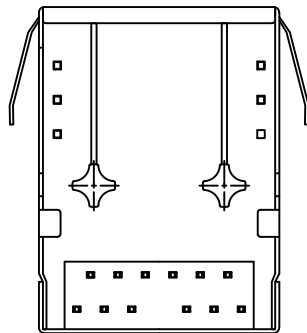
Front Side View



Left Side View



Suggested PCB Layout (Top View)



Bottom Side View



Top Side View

## NOTES:

1. Designed to support application, such as SOHO (ADSL modems), LAN-on-Motherboard (LOM), hub and Switches.
2. Meets IEEE 802.3 specification
3. Connector Materials:  
Housing: Thermoplastic UL94V-0  
Contact/Shield: Copper alloy  
Shield plating: Nickel  
Contact plating: Gold 6 micro-inches min. In contact area.
4. Wave peak temperature: 260°C, 5Sec.
5. UL Certification: File Number E484635.



X:X	±0.20	APPD: TOM	LINK-PP INT'L TECHNOLOGY CO., LIMITED
X:XX	±0.10	CHKD: JAMES	
X:XXX	±0.05	DR: LEO	
ANGLES	±1°	UNIT: mm	TITLE: RJ45 Connector With 100 Base-TX Integrated Magnetic
			PART NO.: LPJK7001AHNL
SCALE: 2/1		SHEET: 2/2	REV: A
		DWG: LP12061203	