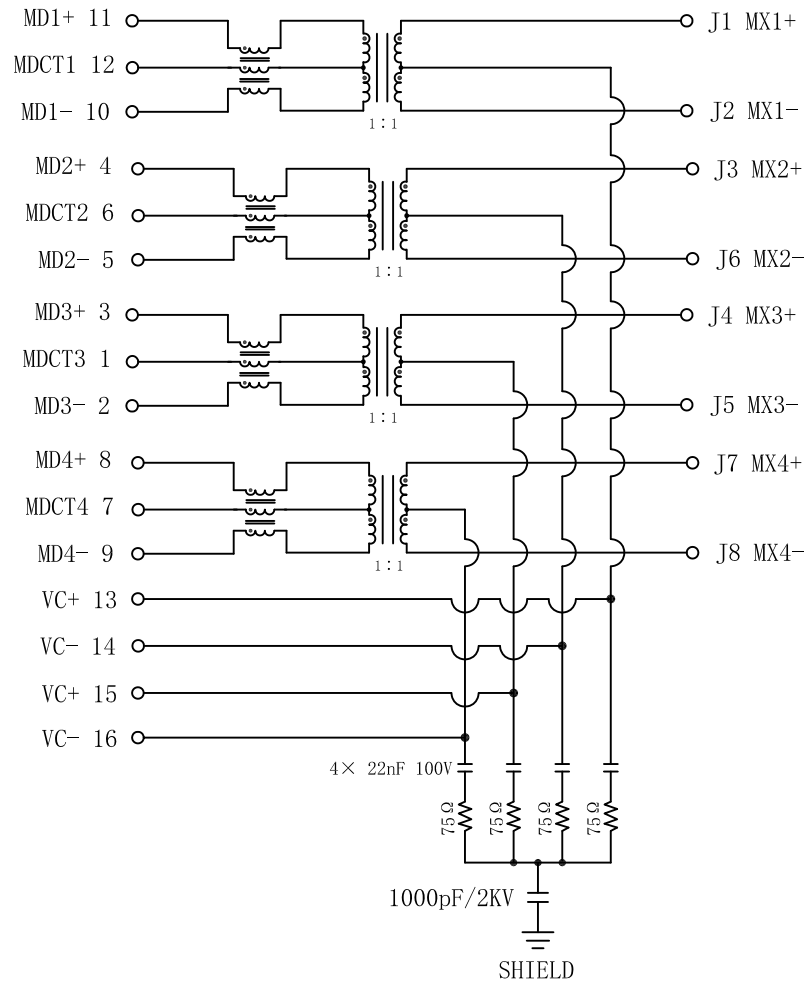


Schematic :

REV.	ECN NO.	DESCRIPTION	DATE	APPD
A	REL		2018-05-25	

PC BOARD CONNECTIONS

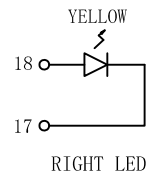
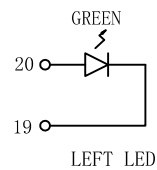


RJ45 CONNECTOR

Electrical Specifications @25°C

- Turns Ratio ($\pm 2\%$):
Pri:Sec = 1CT:1CT
- Inductance:
350uH Min @100KHz, 0.1V, 14mA DC Bias, $-40^{\circ}\text{C} \sim +85^{\circ}\text{C}$.
120uH Min @100KHz, 0.1V, 23mA DC Bias, $-40^{\circ}\text{C} \sim +85^{\circ}\text{C}$.
- Insertion Loss (dB Max):
0.1-1MHz: -1.1 1-65MHz: -0.8
65-100MHz: -1.0 100-125MHz: -1.2
- Return Loss:
0.5-40MHz: -18dB Min
40-100MHz: $-12 + 20 \log(f/80\text{MHz})$ dB Min
- Crosstalk:
1-100MHz: -30dB Min
- Common Mode Rejection:
1-100MHz: -30dB Min
- Balanced DC Line Current:
1.0A Max @57VDC CONTINUOUS
1.2A Max @57VDC For 200 Miliseconds
- Hipot: 1500Vrms Min @60Hz
- Operating Temperature: $-40^{\circ}\text{C} \sim +85^{\circ}\text{C}$.

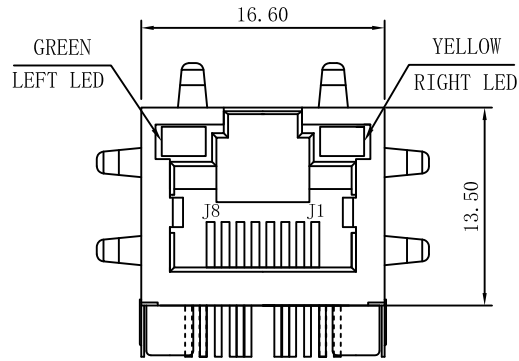
Emitting Color	λ_p (nm)	VF@IF=20mA	IR @VR=5V
GREEN	565	1.8~2.6V	10 μ A max
YELLOW	585	1.8~2.6V	10 μ A max



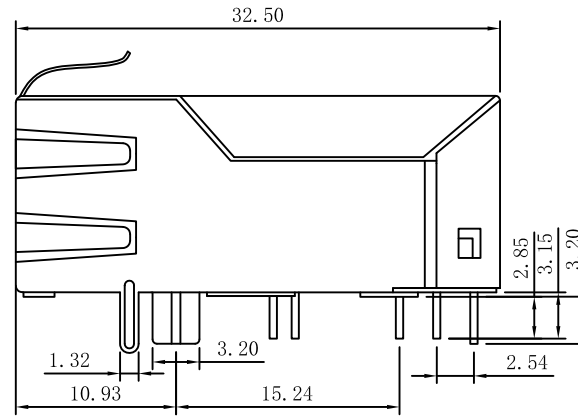
X:X	± 0.30	APPD:	LINK-PP INT'L TECHNOLOGY CO., LIMITED	
X:XX	± 0.25	CHKD:	TITLE: RJ45 Connector with 1000 Base-T Integrated Magnetics For PoE++ Application & 100W	
X:XXX	± 0.05	DR: TOM	PART NO. : LPJK6078AHNL	
ANGLES	$\pm 1^{\circ}$	UNIT: mm	DWG NO. : LP18052302	
	SCALE: 2/1	SHEET: 1/2	REV: A	

Mechanical :

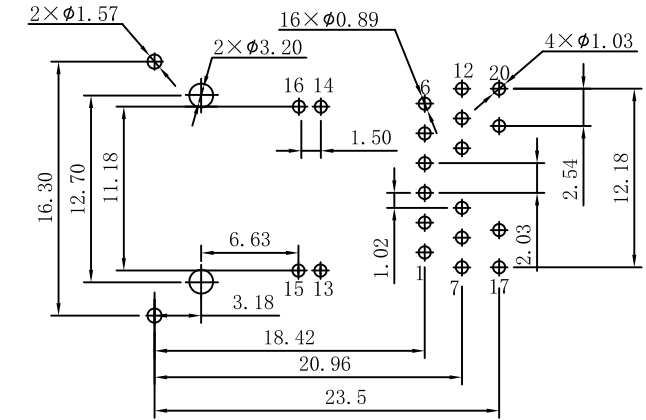
REV.	ECN NO.	DESCRIPTION	DATE	APPD
A	REL		2018-05-25	



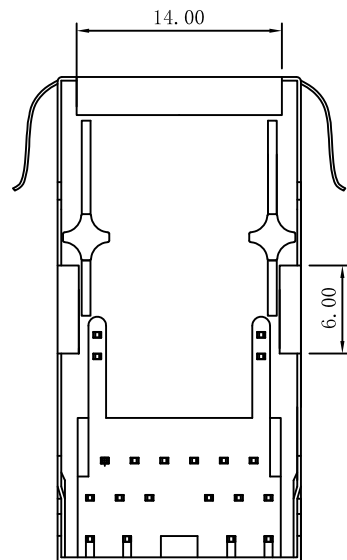
Front Side View



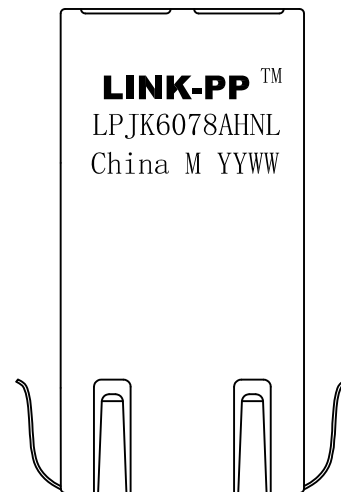
Left Side View



Suggested PCB Layout (Top View)



Bottom Side View



Top Side View

NOTES:

1. Designed to support application, such as SOHO (ADSL modems), LAN-ON-Motherboard (LOM), hub and Switches.
2. Meets IEEE 802.3bt specification
3. Connector Materials:
Housing Material: Thermoplastic PBT+30%G.F UL94V-0
Contact Material: Phosphor Bronze C5210R-EH Thickness=0.35mm
Pins: Brass C2680R-H Thickness=0.35mm
Shield: Copper alloy Brass H65Y Thickness=0.2mm
Contact plating: Gold 6 micro-inches min. In contact area.
4. Wave solder tip temperature: 265°C Max, 5 Sec.
5. UL Certification: File Number E484635.

X:X ±0.30	APPD:	LINK-PP INT'L TECHNOLOGY CO., LIMITED
X:XX ±0.25	CHKD:	
X:XXX ±0.05	DR: TOM	TITLE: RJ45 Connector with 1000 Base-T Integrated Magnetics For PoE++ Application & 100W
ANGLES ±1°	UNIT: mm	PART NO. . LPJK6078AHNL
	SCALE: 2/1	SHEET: 2/2
	REV: A	DWG NO. : LP18052302