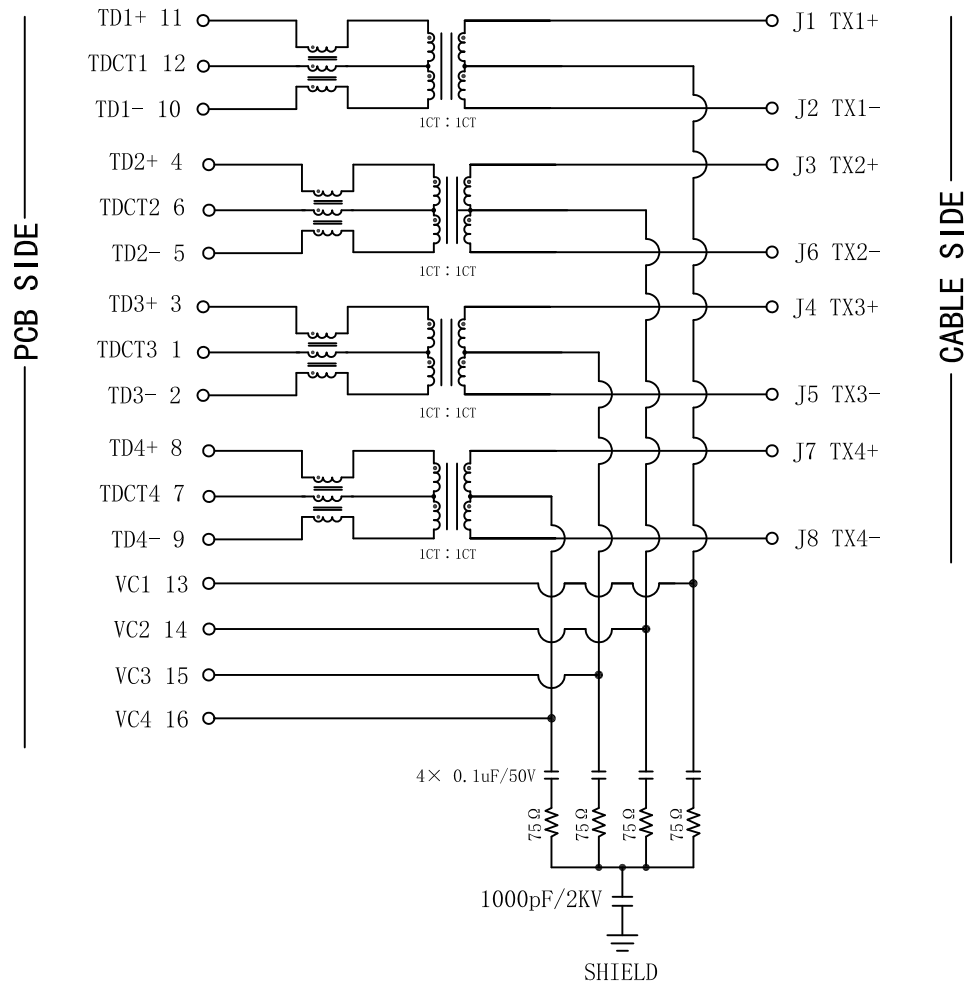


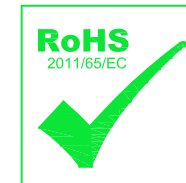
# Schematic:

REV.	ECN NO.	DESCRIPTION	DATE	APPD
A	REL		2016-8-17	



## Electrical Specifications @25°C

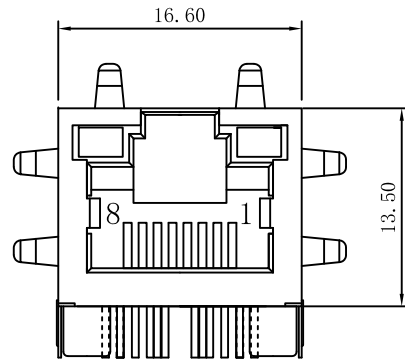
- Inductance: 350uH Min  
@100KHz, 0.1V, 8mA DC Bias
- Turns Ratio ( $\pm 3\%$ ): 1CT : 1CT
- Insertion Loss:  
1-100MHz: -1.1dB Max
- Return Loss:  
1-40MHz: -18dB Min  
60MHz: -14dB Min  
80MHz: -12dB Min  
100MHz: -10dB Min
- Crosstalk:  
1-100MHz: -35dB Typ
- Common Mode Rejection:  
0.1-30MHz: -38dB Typ  
30-60MHz: -35dB Typ  
60-100MHz: -30dB Typ
- Designed to handle 720mA DC and meet 802.3at
- Hipot: 1500Vrms Min
- Operating Temperature:  $-40^{\circ}\text{C} \sim +85^{\circ}\text{C}$ .



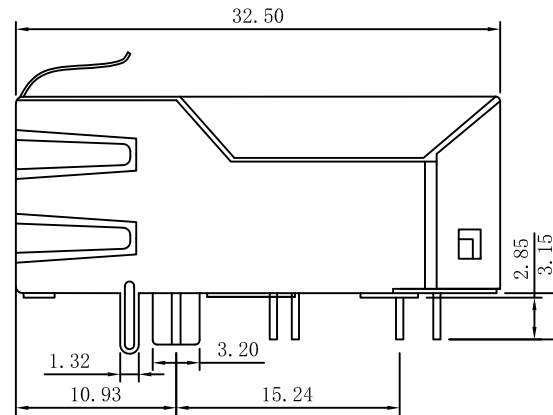
X:X	$\pm 0.30$	APPD:	LINK-PP INT'L TECHNOLOGY CO., LIMITED	
X:XX	$\pm 0.25$	CHKD:	TITLE: RJ45 Connector with 1000 Base-T Integrated Magnetics For PoE+ Application	
X:XXX	$\pm 0.05$	DR: TOM	PART NO.: LPJK6074CNL	
ANGLES	$\pm 1^{\circ}$	UNIT: mm		
	SCALE: 2/1	SHEET: 1/2	REV: A	DWG NO.: LP16081702

# Mechanical :

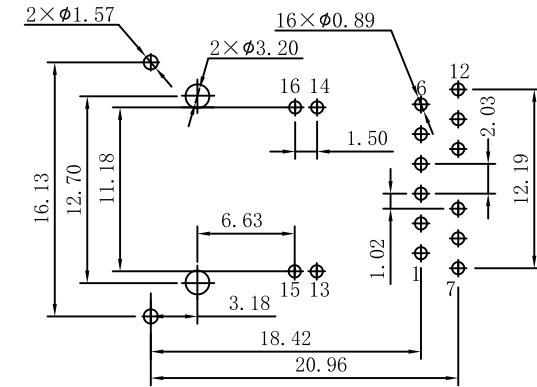
REV.	ECN NO.	DESCRIPTION	DATE	APPD
A	REL		2016-8-17	



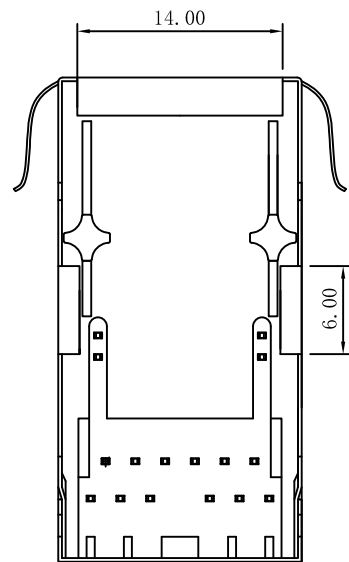
Front Side View



Left Side View



Suggested PCB Layout (Top View)



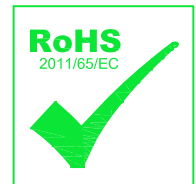
Bottom Side View



Top Side View

## NOTES:

- Meets IEEE 802.3at specification
- Connector Materials:  
 Housing: Thermoplastic UL94V-0  
 Contact/Shield: Copper alloy  
 Shield plating: Nickel  
 Contact plating: Gold 6 micro-inches min. In contact area.
- Wave solder tip temperature: 265°C Max, 5 Sec Max



X:X	±0.30	APPD:	LINK-PP INT'L TECHNOLOGY CO., LIMITED	
X:XX	±0.25	CHKD:	TITLE: RJ45 Connector with 1000 Base-T Integrated Magnetics For PoE+ Application	
X:XXX	±0.05	DR: TOM	PART NO.: LPJK6074CNL	
ANGLES	±1°	UNIT: mm	DWG NO.: LP16081702	
	SCALE: 2/1	SHEET: 2/2	REV: A	