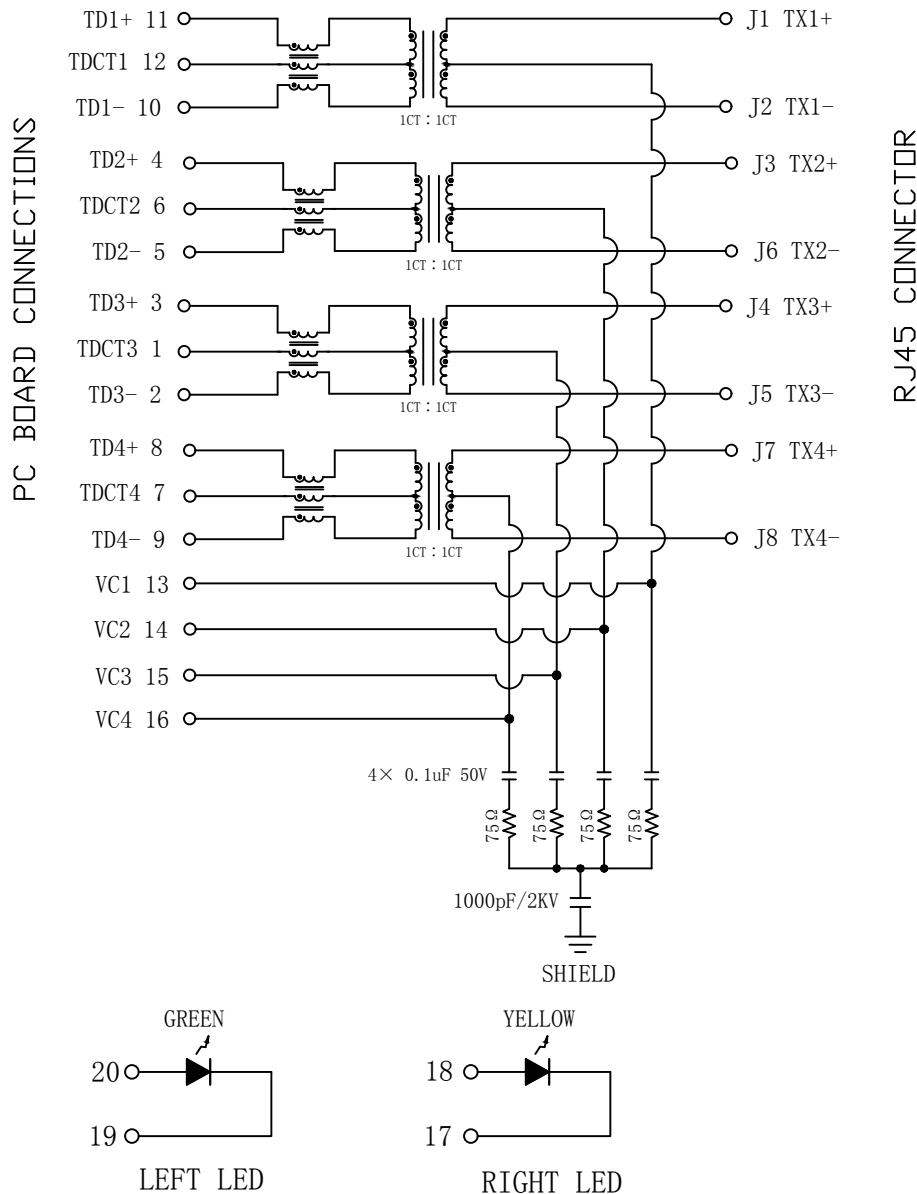


Schematic:



REV.	ECN NO.	DESCRIPTION	DATE	APPD
A	REL		2014/03/25	

Electrical Specifications @25°C

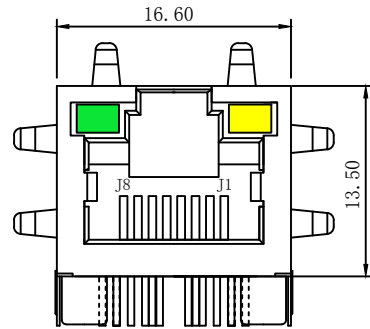
- Inductance: 350uH Min
@100KHz, 0.1V, 8mA DC Bias
- Turns Ratio(±3%): 1CT : 1CT
- Insertion Loss:
1-100MHz:-1.1dB Max
- Return Loss:
1-40MHz:-18dB Min
60MHz:-14dB Min
80MHz:-12dB Min
100MHz:-10dB Min
- Crosstalk:
1-100MHz:-35dB Typ
- Common Mode Rejection:
0.1-30MHz:-38dB Typ
30-60MHz:-35dB Typ
60-100MHz:-30dB Typ
- Designed to handle 720mADC and meet 802.3at
- Hipot: 1500Vrms Min
- Operating Temperature: -40°C ~ +85°C.

Emitting Color	λp(nm)	VF@IF=20mA	IR @VR=5V
GREEN	570	1.8~2.4V	10 μA max
YELLOW	590	1.8~2.4V	10 μA max

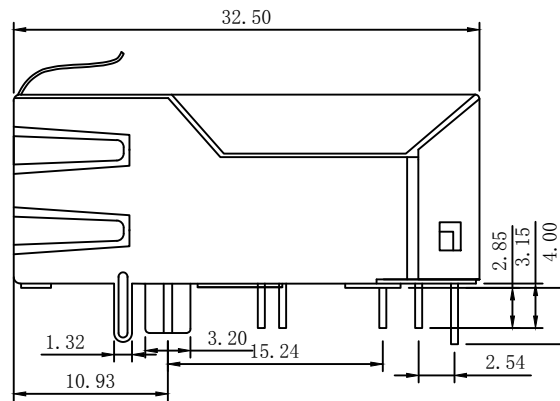
X:X	±0.30	APPD:	LINK-PP INT'L TECHNOLOGY CO., LIMITED
X:XX	±0.25	CHKD:	
X:XXX	±0.10	DR: TOM	TITLE: RJ45 Connector With 1000 Base-TX Integrated Magnetic For PoE+ Application
ANGLES	±1°	UNIT: mm	PART NO. : LPJK6074AHNL
	SCALE: 2/1	SHEET: 1/2	REV: A
			DWG NO. : LP14032519

Mechanical :

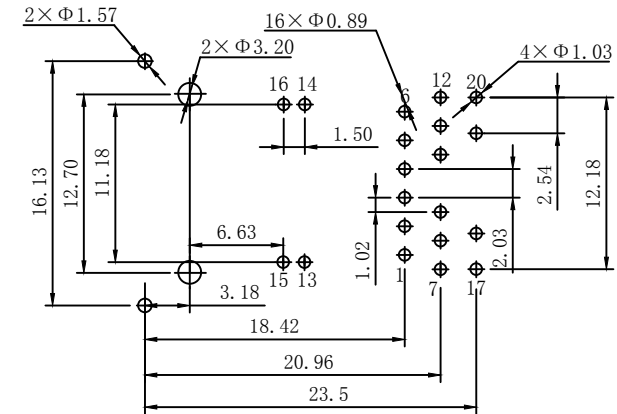
REV.	ECN NO.	DESCRIPTION	DATE	APPD
A	REL		2014/03/25	



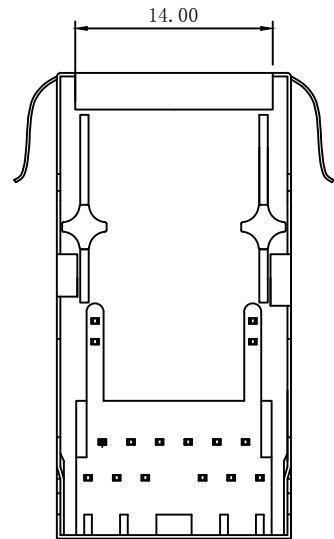
Front Side View



Left Side View



Suggested PCB Layout (Top View)



Bottom Side View



Top Side View



NOTES:

1. Designed to support application, such as SOHO (ADSL modems), LAN-on-Motherboard (LOM), hub and Switches.
2. Meets IEEE 802.3at specification
3. Connector Materials:
 Housing: Thermoplastic UL94V-0
 Contact/Shield: Copper alloy
 Shield plating: Nickel
 RJ-45 Contact plating: Gold 6 micro-inches min. In contact area
4. Wave solder tip temperature: 265°C Max., 5 Sec Max.

X:X	±0.30	APPD:	LINK-PP INT'L TECHNOLOGY CO., LIMITED
X:XX	±0.25	CHKD:	
X:XXX	±0.10	DR: TOM	TITLE: RJ45 Connector With 1000 Base-TX Integrated Magnetic For PoE+ Application
ANGLES	±1°	UNIT: mm	PART NO. : LPJK6074AHNL
	SCALE: 2/1	SHEET: 2/2	REV: A
			DWG NO. : LP14032519