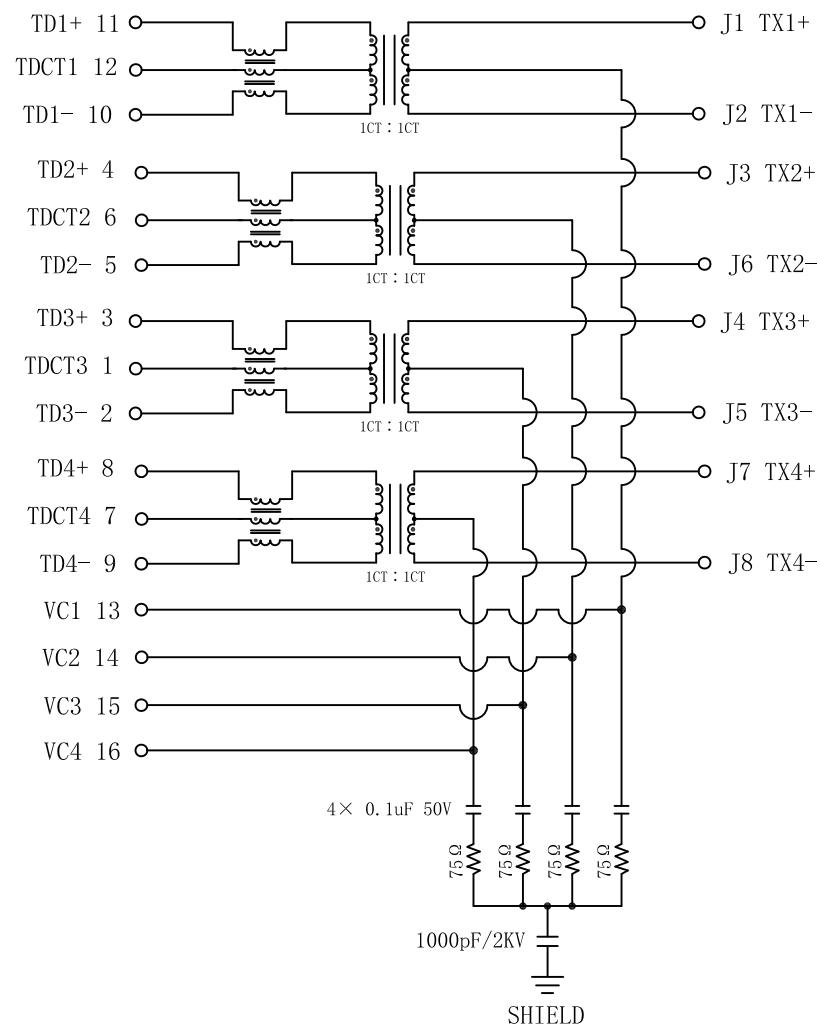


Schematic:

REV.	ECN NO.	DESCRIPTION	DATE	APPD
A	REL		2014/03/25	

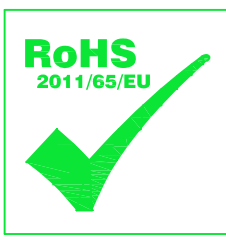
PC BOARD CONNECTIONS



RJ45 CONNECTOR

Electrical Specifications @25°C

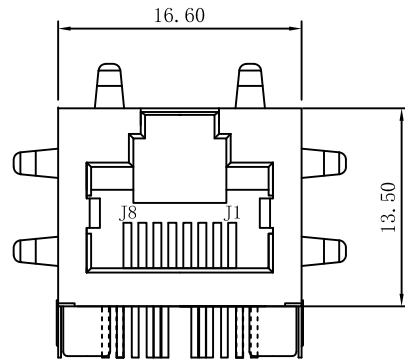
- Inductance: 350uH Min
@ 100KHz, 0.1V, 8mA DC BIAS
- Turns Ratio($\pm 3\%$): 1CT : 1CT
- Insertion Loss:
1-100MHz: -1.1dB Max
- Return Loss:
1-40MHz: -18dB Min
60MHz: -14dB Min
80MHz: -12dB Min
100MHz: -10dB Min
- Crosstalk:
1-100MHz: -35dB Typ
- Common Mode Rejection:
0.1-30MHz: -38dB Typ
30-60MHz: -35dB Typ
60-100MHz: -30dB Typ
- Designed for PoE applications with maximum current of 350mA per pair
- Hipot: 1500Vrms Min
- Operating Temperature: -40°C ~ +85°C.



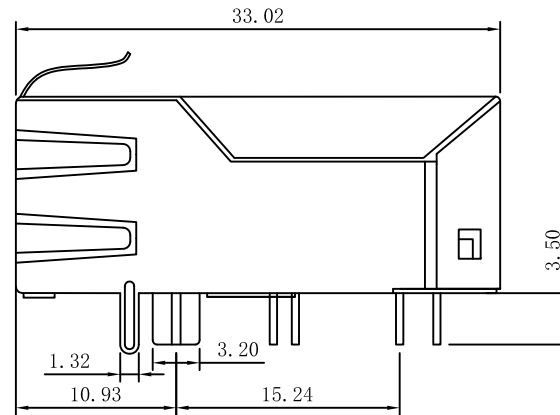
X:X	± 0.30	APPD:	LINK-PP INT'L TECHNOLOGY CO., LIMITED
X:XX	± 0.25	CHKD:	
X:XXX	± 0.10	DR: TOM	TITLE: RJ45 Connector With 1000 Base-TX Integrated Magnetic For PoE Application
ANGLES	$\pm 1^\circ$	UNIT: mm	PART NO.: LPJK6072CNL
	SCALE: 2/1	SHEET: 1/2	REV: A DWG NO.: LP14032515

Mechanical :

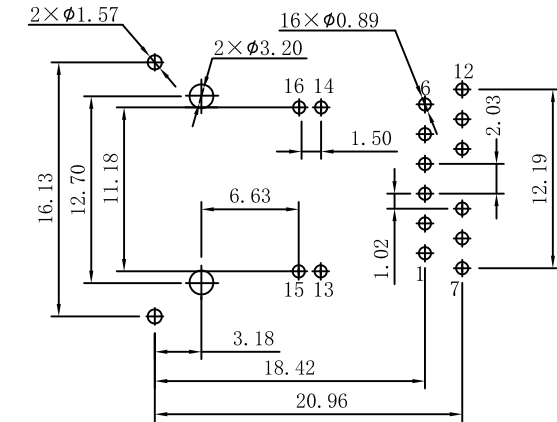
REV.	ECN NO.	DESCRIPTION	DATE	APPD
A	REL		2014/03/25	



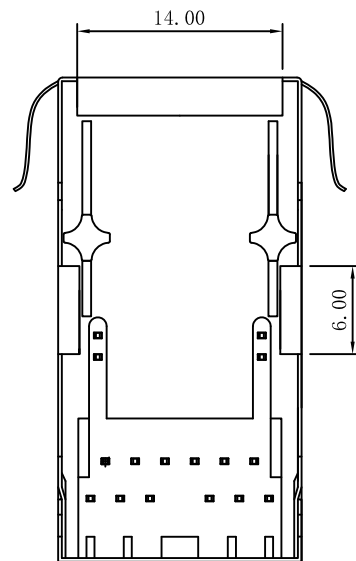
Front Side View



Left Side View



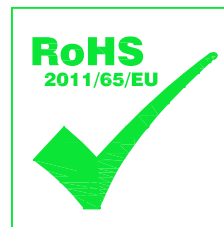
Suggested PCB Layout (Top View)



Bottom Side View

NOTES:

1. Designed to support application, such as SOHO (ADSL modems), LAN-on-Motherboard (LOM), hub and Switches.
2. Meets IEEE 802.3af specification
3. Connector Materials:
 Housing: Thermoplastic UL94V-0
 Contact/Shield: Copper alloy
 Shield plating: Nickel
 RJ-45 Contact plating: Gold 6 micro-inches min. In contact area
4. Wave solder tip temperature: 265°C Max., 5 Sec Max.
5. UL Certification: File Number E484635.



X:X	±0.30	APPD:	LINK-PP INT'L TECHNOLOGY CO., LIMITED
X:XX	±0.25	CHKD:	
X:XXX	±0.10	DR: TOM	TITLE: RJ45 Connector With 1000 Base-TX Integrated Magnetic For PoE Application
ANGLES	±1°	UNIT: mm	PART NO.: LPJK6072CNL
	SCALE: 2/1	SHEET: 2/2	REV: A DWG NO.: LP14032515