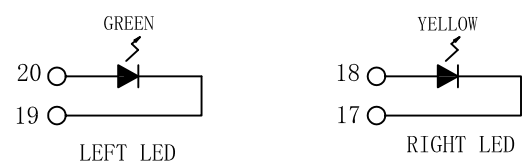
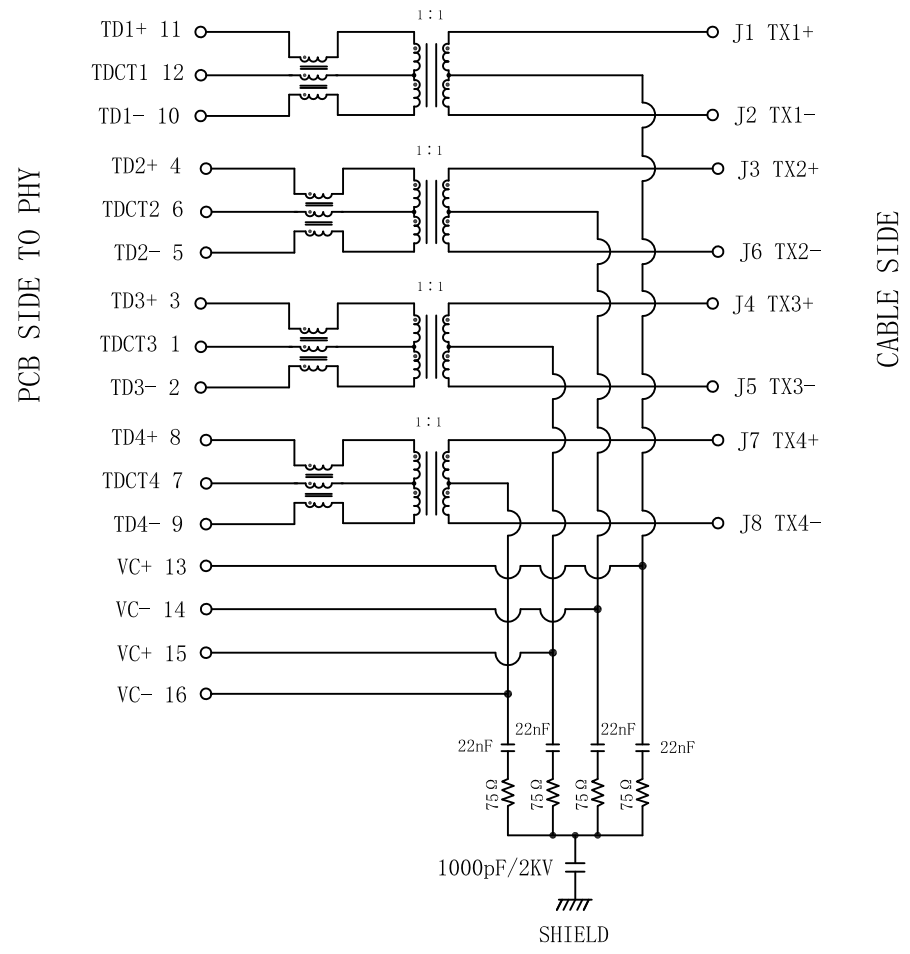


Schematic:

REV.	ECN NO.	DESCRIPTION	DATE	APPD
A	REL		2013-12-26	

ELECTRICAL SPECIFICATIONS @25°C

- Turn Ratio($\pm 3\%$):
Pri:Sec = 1CT:1CT
- Inductance OCL:
350uH MIN @ 100KHz 0.1V 20mA DC Bias
- DCR:1.2 Ω MAX
- Insertion Loss:
-1.0dB MAX @ 1-100MHz
- Return Loss:
-18dB MIN @ 1-30MHz
-15dB MIN @ 30-60MHz
-12dB MIN @ 60-100MHz
- Cross talk:
-40dB MIN @ 1-30MHz
-35dB MIN @ 30-60MHz
-30dB MIN @ 60-100MHz
- Common Mode Rejection:
-30dB MIN @ 1-100MHz
- Balanced DC Line Current:
720mA Max @57VDC Continuous
1.2A Max @57VDC for 200 Miliseconds
- Hipot Test: 1500Vrms
- Operating Temperature Range: -40°C TO +85°C.



Emitting Color	λ p(nm)	VF@IF=20mA	IR @VR=5V
GREEN	565	1.8~2.6V	10 μ A max
YELLOW	585	1.8~2.6V	10 μ A max

X:X	± 0.30	APPD:	LINK-PP INT'L TECHNOLOGY CO., LIMITED	
X:XX	± 0.25	CHKD:	TITLE: RJ45 Connector with 1000 Base-T Integrated Magnetics For PoE+ Application	
X:XXX	± 0.05	DR: TOM	PART NO.: LPJK6071BHNL	
ANGLES	$\pm 1^\circ$	UNIT: mm	DWG NO.: LP13122610	
	SCALE: 2/1	SHEET: 1/2	REV: A	

