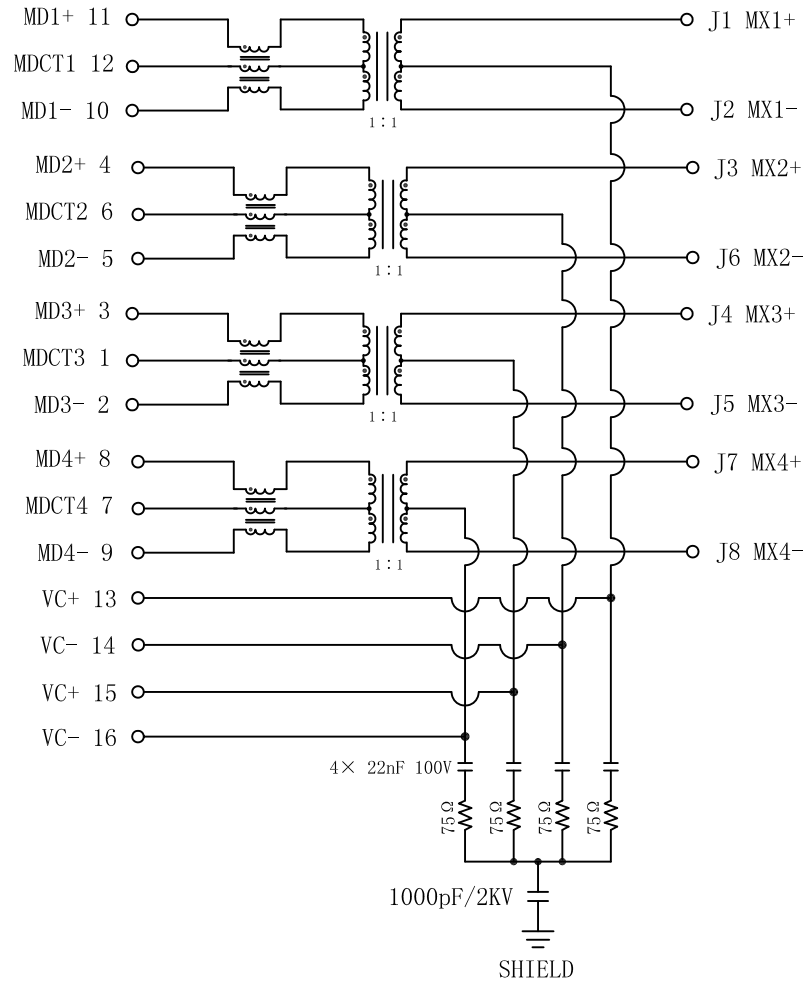


Schematic :

REV.	ECN NO.	DESCRIPTION	DATE	APPD
A	REL		2013-12-26	

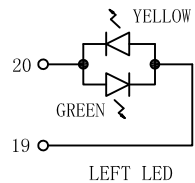
PC BOARD CONNECTIONS



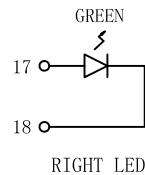
RJ45 CONNECTOR

Electrical Specifications @25°C

- Turns Ratio ($\pm 2\%$):
1CT:1CT
- Inductance: 350uH Min
@100KHz, 0.1V, 20mA DC Bias
- Insertion Loss:
1-100MHz: -1.0dB Max
- Return Loss (load 100Ω):
1-30MHz: -18dB Min
30-60MHz: -16dB Min
60-80MHz: -12dB Min
80-100MHz: -10dB Min
- Crosstalk:
1-100MHz: -30dB Min
- Common Mode Rejection:
1-100MHz: -30dB Min
- Balanced DC Line Current:
720mA Max @57VDC CONTINUOUS
1.2A Max @57VDC For 200 Miliseconds
- Hipot: 1500Vrms Min @60Hz
- Operating Temperature: -40°C ~ +85°C.



LED POLARITY		COLOR
PIN 20	PIN 19	
+	-	GREEN
-	+	YELLOW



LED POLARITY		COLOR
PIN 17	PIN 18	
+	-	GREEN

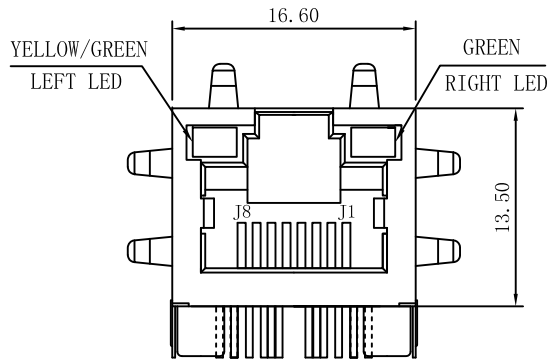


Emitting Color	λ_p (nm)	VF@IF=20mA	IR @VR=5V
YELLOW/GREEN	585/565	1.8~2.6V	10 μ A max
GREEN	565	1.8~2.6V	10 μ A max

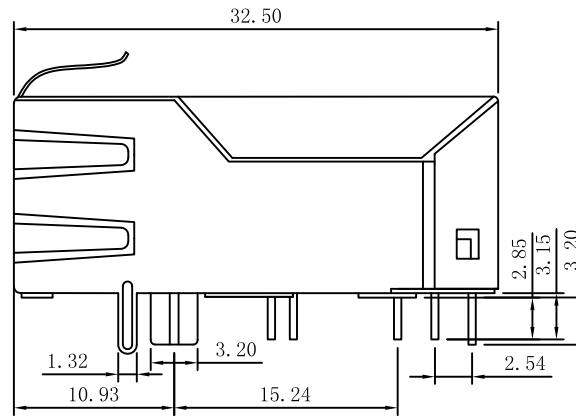
X:X	± 0.30	APPD:	LINK-PP INT'L TECHNOLOGY CO., LIMITED	
X:XX	± 0.25	CHKD:	TITLE: RJ45 Connector with 1000 Base-T Integrated Magnetics For PoE+ Application	
X:XXX	± 0.05	DR: TOM	PART NO.: LPJK6071A9NL	
ANGLES	$\pm 1^\circ$	UNIT: mm	DWG NO.: LP13122628	
		SCALE: 2/1	SHEET: 1/2	REV: A

Mechanical :

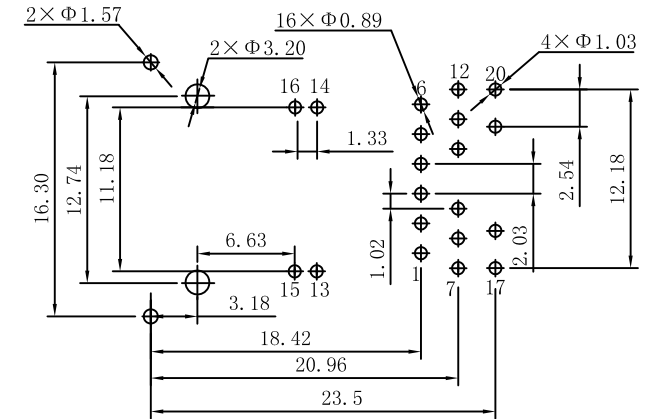
REV.	ECN NO.	DESCRIPTION	DATE	APPD
A	REL		2013-12-26	



Front Side View



Left Side View

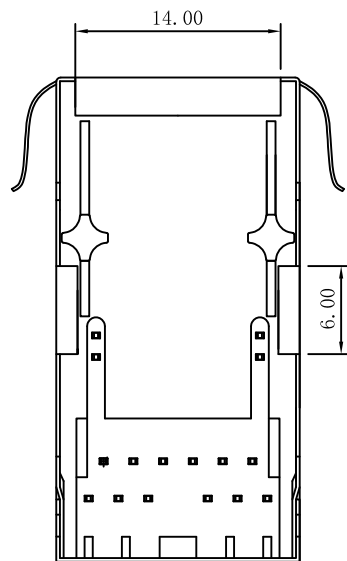


Suggested PCB Layout (Top View)



NOTES:

1. Designed to support application, such as SOHO (ADSL modems), LAN-ON-Motherboard (LOM), hub and Switches.
2. Meets IEEE 802.3at specification
3. Connector Materials:
 Housing Material: Thermoplastic PBT+30%G.F UL94V-0
 Contact Material: Phosphor Bronze C5210R-EH Thickness=0.35mm
 Pins: Brass C2680R-H Thickness=0.35mm
 Shield: Copper alloy Brass H65Y Thickness=0.2mm
 Contact plating: Gold 6 micro-inches min. In contact area.
4. Wave solder tip temperature: 265°C Max, 5 Sec Max



Bottom Side View



Top Side View

X:X	±0.30	APPD:	LINK-PP INT'L TECHNOLOGY CO., LIMITED	
X:XX	±0.25	CHKD:	TITLE: RJ45 Connector with 1000 Base-T Integrated Magnetics For PoE+ Application	
X:XXX	±0.05	DR: TOM	PART NO.: LPJK6071A9NL	
ANGLES	±1°	UNIT: mm	DWG NO.: LP13122628	
	SCALE: 2/1	SHEET: 2/2	REV: A	