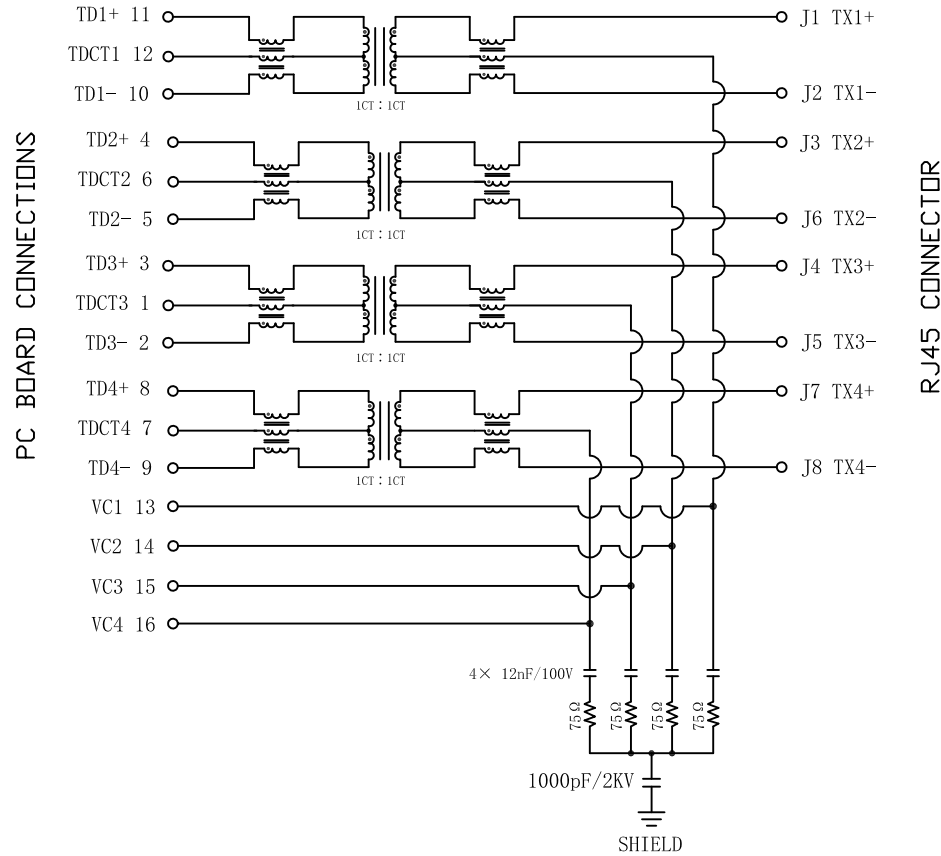


Schematic:

REV.	ECN NO.	DESCRIPTION	DATE	APPD
A	REL		2011/09/01	



Electrical Specifications @25°C

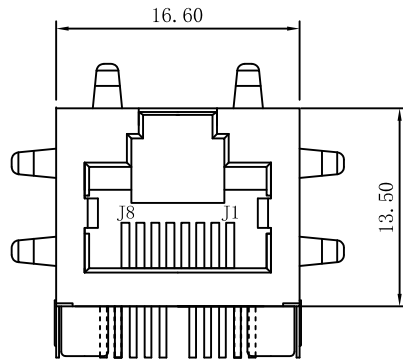
- OCL: 350uH min
@100KHz, 100mV, 18mA DC BIAS
- Turns Ratio: 1CT : 1CT
- Insertion Loss:
1~100MHz:-1.0dB max
- Return Loss(dB min):
1~30MHz:-18; 30~45MHz:-16;
45~60MHz:-14; 60~80MHz:-12;
80~100MHz:-10.
- Crosstalk:
1~100MHz:-30dB typ;
- CMR(dB min):
1~100MHz:-35;
100~500MHz:-25.
- Hipot: 1500Vrms @60Hz
- Designed to handle 600mADC and meet 802.3at.
- Operating Temperature: -40°C ~+85°C.



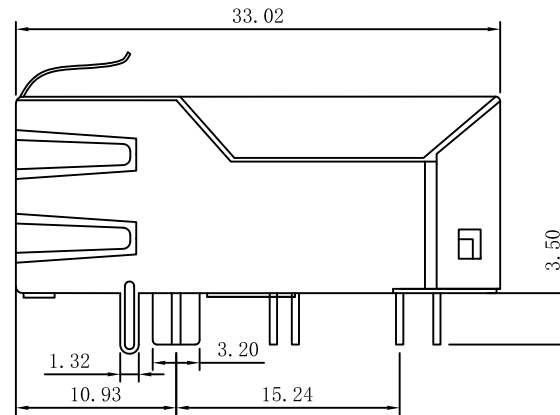
X:X	±0.30	APPD:	LINK-PP INT'L TECHNOLOGY CO., LIMITED
X:XX	±0.25	CHKD:	
X:XXX	±0.05	DR: TOM	TITLE: RJ45 Connector With 1000 Base-TX Integrated Magnetic For PoE+ Application
ANGLES	±1°	UNIT: mm	PART NO.: LPJK6069CNL
	SCALE: 2/1	SHEET: 1/2	REV: A DWG NO.: LP11090130

Mechanical :

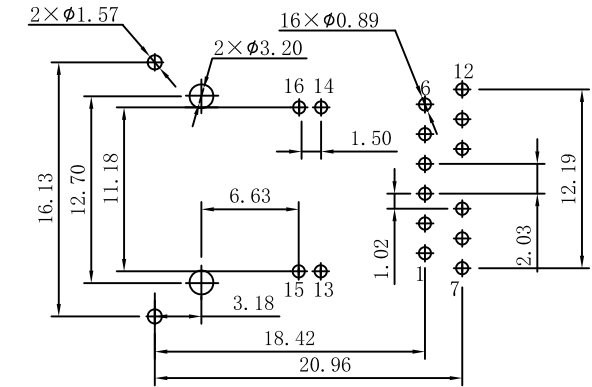
REV.	ECN NO.	DESCRIPTION	DATE	APPD
A	REL		2011/09/01	



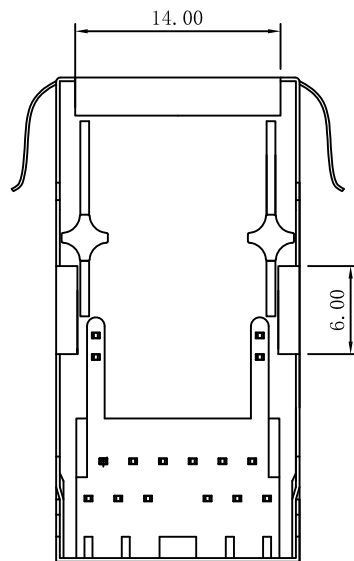
Front Side View



Left Side View



Suggested PCB Layout (Top View)



Bottom Side View

NOTES:

1. Designed to support application, such as SOHO (ADSL modems), LAN-on-Motherboard (LOM), hub and Switches.
2. Meets IEEE 802.3at specification
3. Connector Materials:
 Housing: Thermoplastic UL94V-0
 Contact/Shield: Copper alloy
 Shield plating: Nickel
 RJ-45 Contact plating: Gold 6 micro-inches min. In contact area
4. Wave solder tip temperature: 265°C Max., 5 Sec Max.
5. UL Certification: File Number E484635.



X:X	±0.30	APPD:	LINK-PP INT'L TECHNOLOGY CO., LIMITED
X:XX	±0.25	CHKD:	
X:XXX	±0.05	DR: TOM	TITLE: RJ45 Connector With 1000 Base-TX Integrated Magnetic For PoE+ Application
ANGLES	±1°	UNIT: mm	PART NO.: LPJK6069CNL
	SCALE: 2/1	SHEET: 2/2	REV: A DWG NO.: LP11090130