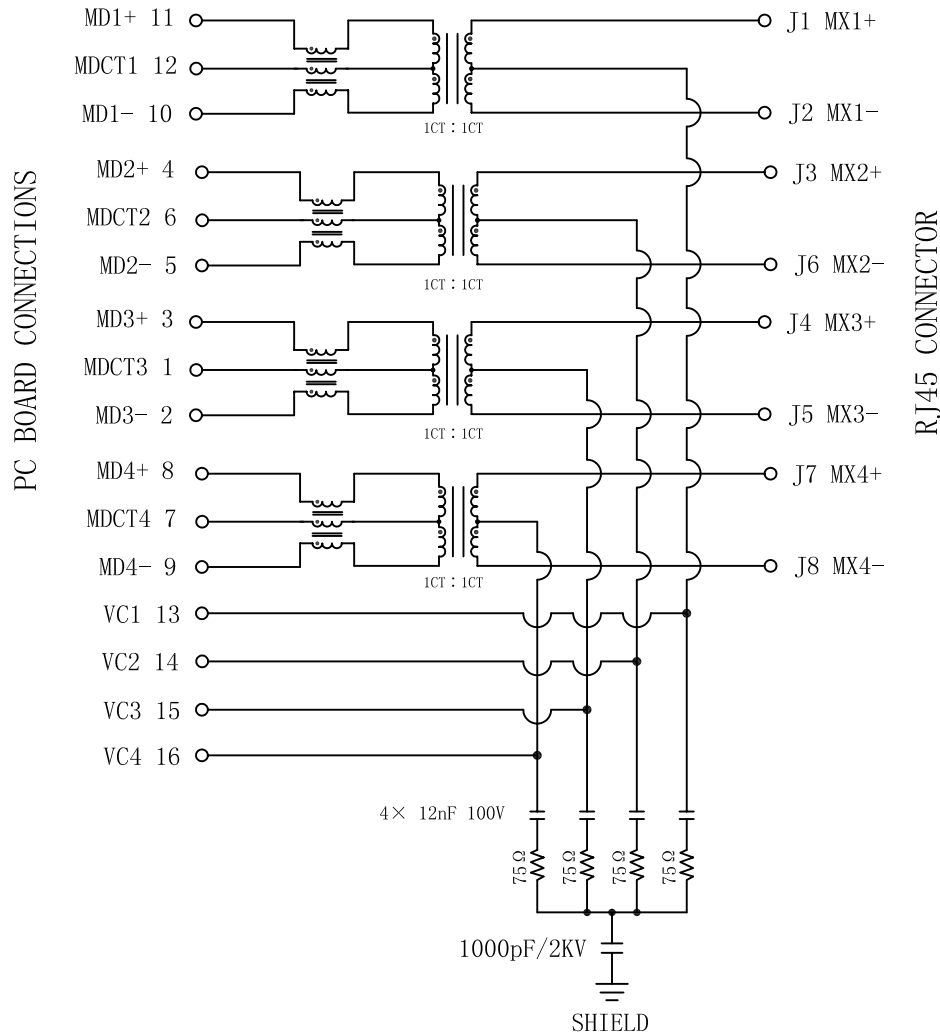


Schematic:

REV.	ECN NO.	DESCRIPTION	DATE	APPD
A	REL		2010/07/29	



Electrical Specifications @25°C

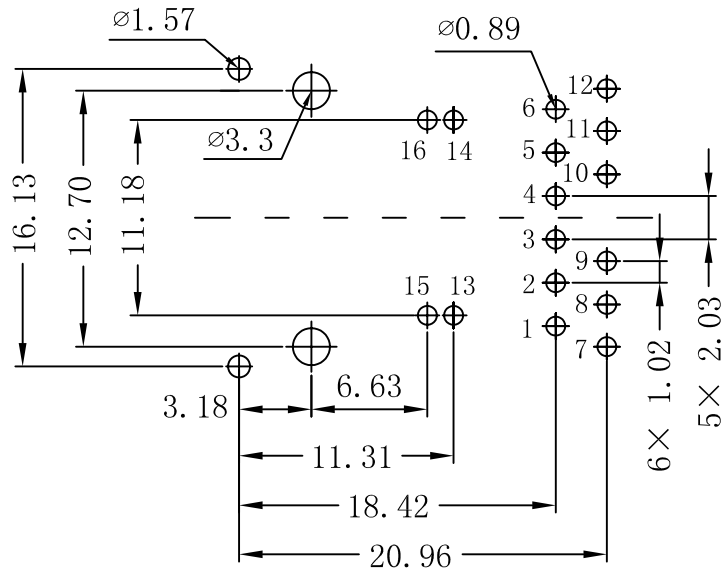
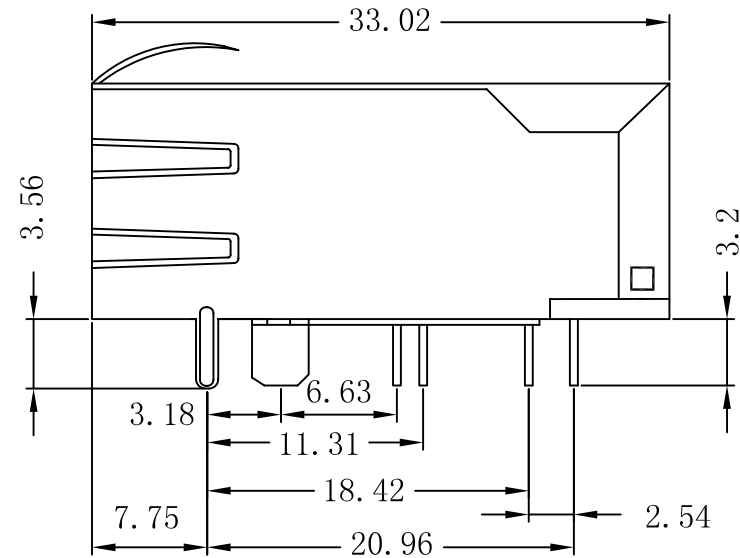
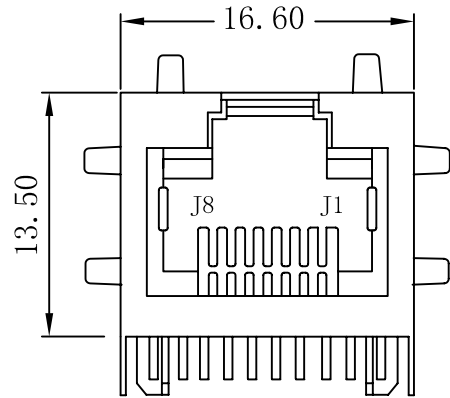
- Inductance: 350uH Min
@ 100KHz, 0.1V, 8mA DC BIAS
- Turns Ratio(±2%):
TX=1CT : 1CT RX=1CT : 1CT
- Insertion Loss(dB Max):
0.1-1MHz:-1.1 1-65MHz:-0.5
65-100MHz:-0.8 100-125MHz:-1.2
- Return Loss(dB Min):
0.5-40MHz:-18
40-100MHz:-[12+20LOG(f/80MHz)]
- Crosstalk:
0.1-100MHz:-[33+20LOG(f/100MHz)]dB Min
- CM TO CM REJ:
0.1-100MHz:-30dB Min
- CM TO DM REJ:
0.1-100MHz:-35dB Min
- Hipot: 1500Vrms Min @60Hz
- Operating Temperature: -40°C ~+85°C.



X:X	±0.20	APPD:	LINK-PP INT'L TECHNOLOGY CO., LIMITED	
X:XX	±0.10	CHKD:	TITLE: RJ45 Connector with 1000 Base-TX Integrated Magnetic & PoE	
X:XXX	±0.05	DR: TOM	PART NO.: LPJK6065CNL	
ANGLES	±1°	UNIT: mm		
	SCALE: 2/1	SHEET: 1/2	REV: A	DWG NO.: LP10072909

Mechanical :

REV.	ECN NO.	DESCRIPTION	DATE	APPD
A	REL		2010/07/29	



SUGGESTED PCB LAYOUT (TOP VIEW)

NOTES:

1. Designed to support application, such as SOHO (ADSL modems), LAN-on-Motherboard (LOM), hub and Switches.
2. Meets IEEE 802.3 specification
3. Connector Materials:
 Housing: Thermoplastic UL94V-0
 Contact/Shield: Copper alloy
 Shield plating: Nickel
 Contact plating: Gold 6 micro-inches min. In contact area.
4. Wave solder tip temperature: 265°C Max
 Wave solder tip temperature time: 5 Sec Max



X:X	±0.20	APPD:	LINK-PP INT'L TECHNOLOGY CO., LIMITED
X:XX	±0.10	CHKD:	
X:XXX	±0.05	DR: TOM	TITLE: RJ45 Connector with 1000 Base-TX Integrated Magnetic & PoE
ANGLES	±1°	UNIT: mm	PART NO.: LPJK6065CNL
	SCALE: 2/1	SHEET: 2/2	REV: A DWG NO.: LP10072909