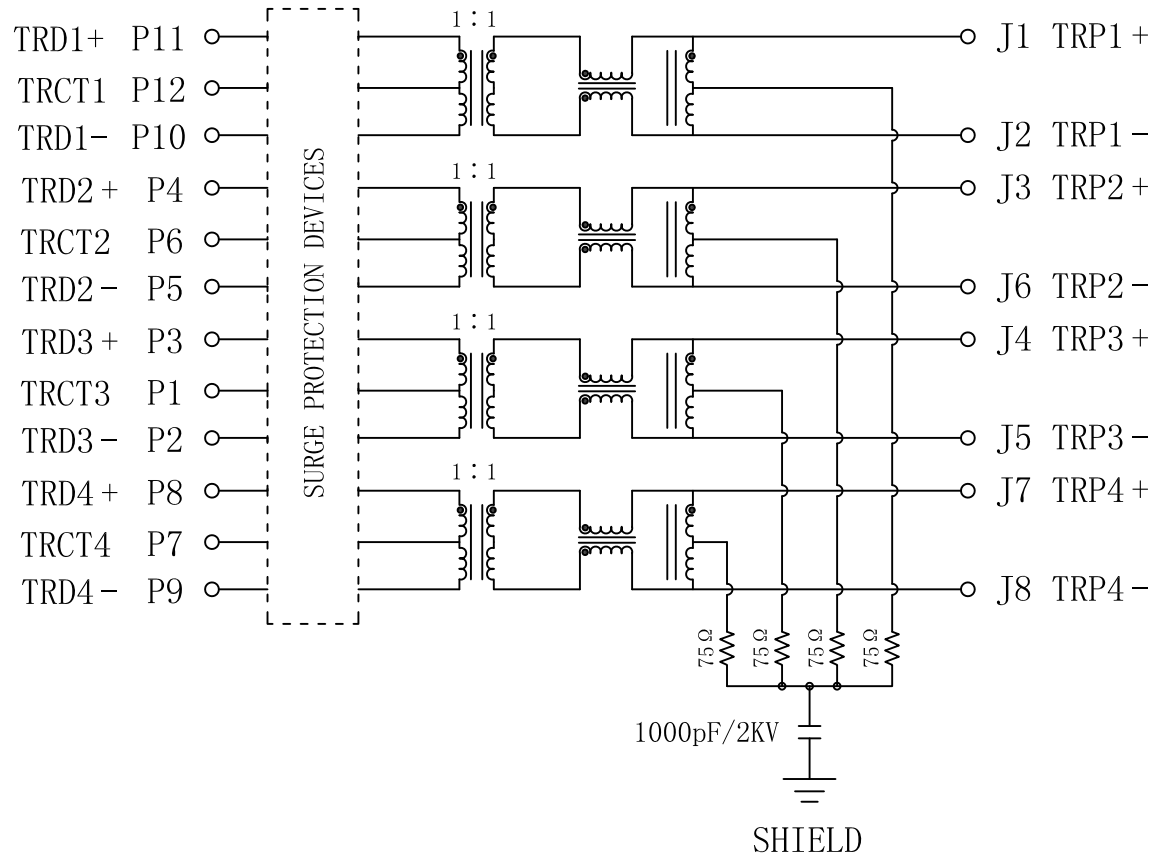


# Schematic:

| REV. | ECN NO. | DESCRIPTION | DATE       | APPD |
|------|---------|-------------|------------|------|
| A    | REL     |             | 2010/07/13 |      |

PHY SIDE

CABLE SIDE



Electrical Specifications @25°C

1. Turns Ratio:

$$(P10-P11) : (J2-J1) : 1 : 1 \pm 2\%$$

$$(P5-P4) : (J6-J3) : 1 : 1 \pm 2\%$$

$$(P2-P3) : (J5-J4) : 1 : 1 \pm 2\%$$

$$(P9-P8) : (J8-J7) : 1 : 1 \pm 2\%$$

2. Inductance:

$$(P2-P3); (P5-P4); (P10-P11); (P9-P8) : 350 \mu\text{H MIN. @ } 100\text{KHz, } 0.1\text{V, } 8\text{mA DC BIAS}$$

3. Insertion Loss:

$$0.1 \sim 125\text{MHz} : -1.0\text{dB TYP}$$

4. Return Loss (dB MIN):

$$1 \sim 30\text{MHz} : -19 \quad 30 \sim 60\text{MHz} : -13$$

$$60 \sim 80\text{MHz} : -12 \quad 80 \sim 100\text{MHz} : -10$$

5. Crosstalk:

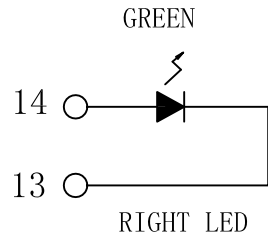
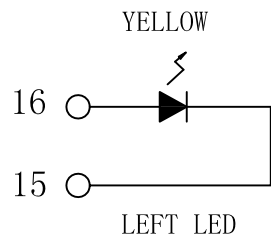
$$1 \sim 100\text{MHz} : -33-20\text{LOG}(F/50\text{MHz}) \text{ dB MIN}$$

6. Common To Common Mode Attenuation:

$$1 \sim 100\text{MHz} : -35 \text{ dB TYP}$$

7. Hipot: 1500VAC

8. Operating Temperature: -40°C ~ +85°C.



|        |            |            |  |
|--------|------------|------------|--|
| X:X    | ±0.20      | APPD:      | LINK-PP INT'L TECHNOLOGY CO., LIMITED                      |
| X:XX   | ±0.10      | CHKD:      |  |
| X:XXX  | ±0.05      | DR: TOM    | TITLE: RJ45 Connector with 1000Base-TX Integrated Magnetic |
| ANGLES | ±1°        | UNIT: mm   | PART NO.: LPJK4073AGNL                                     |
|        | SCALE: 2/1 | SHEET: 1/2 | REV: A DWG NO.: LP10071312                                 |

