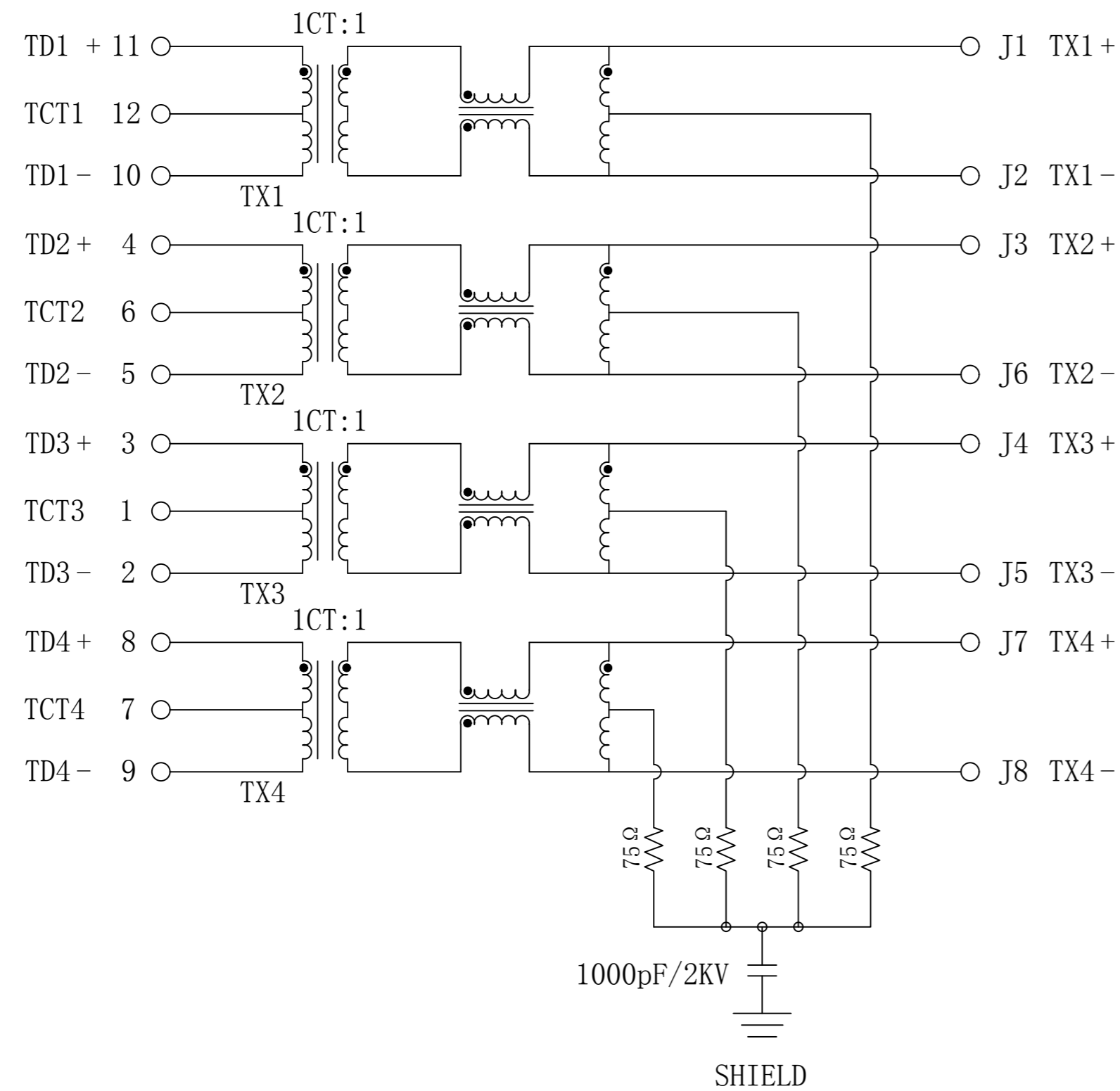


Schematic:

REV.	ECN NO.	DESCRIPTION	DATE	APPD
A6	REL		2023-03-18	

PC BOARD CONNECTIONS

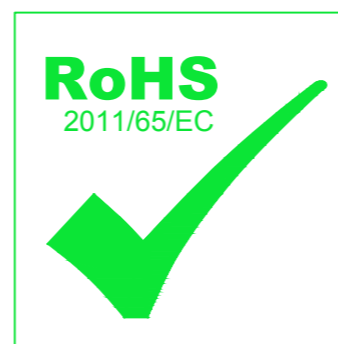
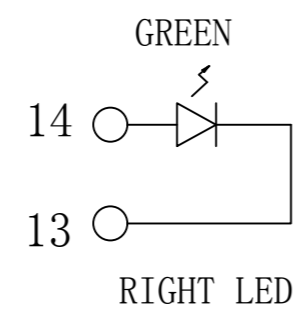
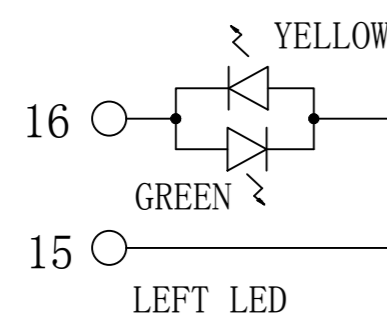


RJ45 CONNECTOR

Electrical Specifications @25°C

- Turns Ratio:
 (P11-P10) : (J1-J2) : 1 : 1 ±2%
 (P4-P5) : (J3-J6) : 1 : 1 ±2%
 (P3-P2) : (J4-J5) : 1 : 1 ±2%
 (P8-P9) : (J7-J8) : 1 : 1 ±2%
- Inductance:
 (P11-P10) ; (P4-P5) ; (P3-P2) ; (P8-P9) :
 350uH MIN. @ 100KHz, 0.1V, 8mA DC BIAS
- Insertion Loss:
 1~100MHz: -1.0dB MAX
- Return Loss (dB MIN) :
 1~10MHz: -20 30MHz: -16
 60~80MHz: -12 80~100MHz: -10
- Crosstalk (dB MIN) :
 1~10MHz: -40 32~65MHz: -35
 65~100MHz: -30
- Common To Common Mode (dB MIN) :
 1~100MHz: -30
- Hipot: Isolation PHY SIDE To Line SIDE : 1500Vrms
- Operating Temperature: -40°C ~ +85°C.

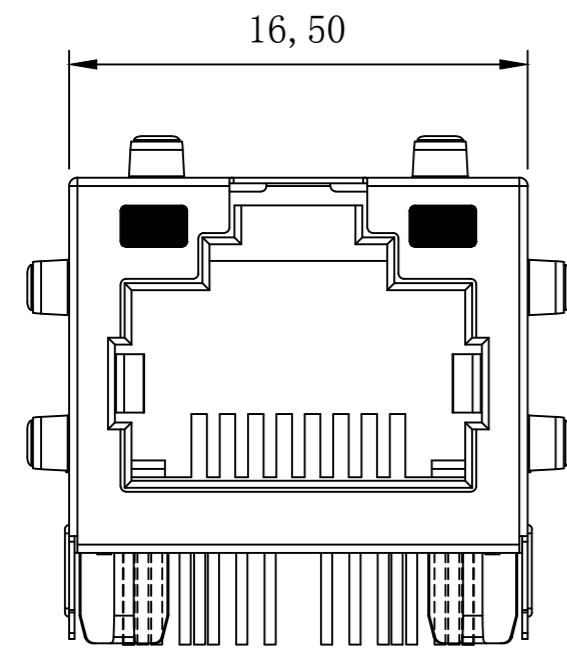
Emitting Color	λ_p (nm)	V _F @I _F =20mA	I _R @V _R =5V
YELLOW	585	1.8~2.6V	10 μA max
GREEN	565	1.8~2.6V	10 μA max



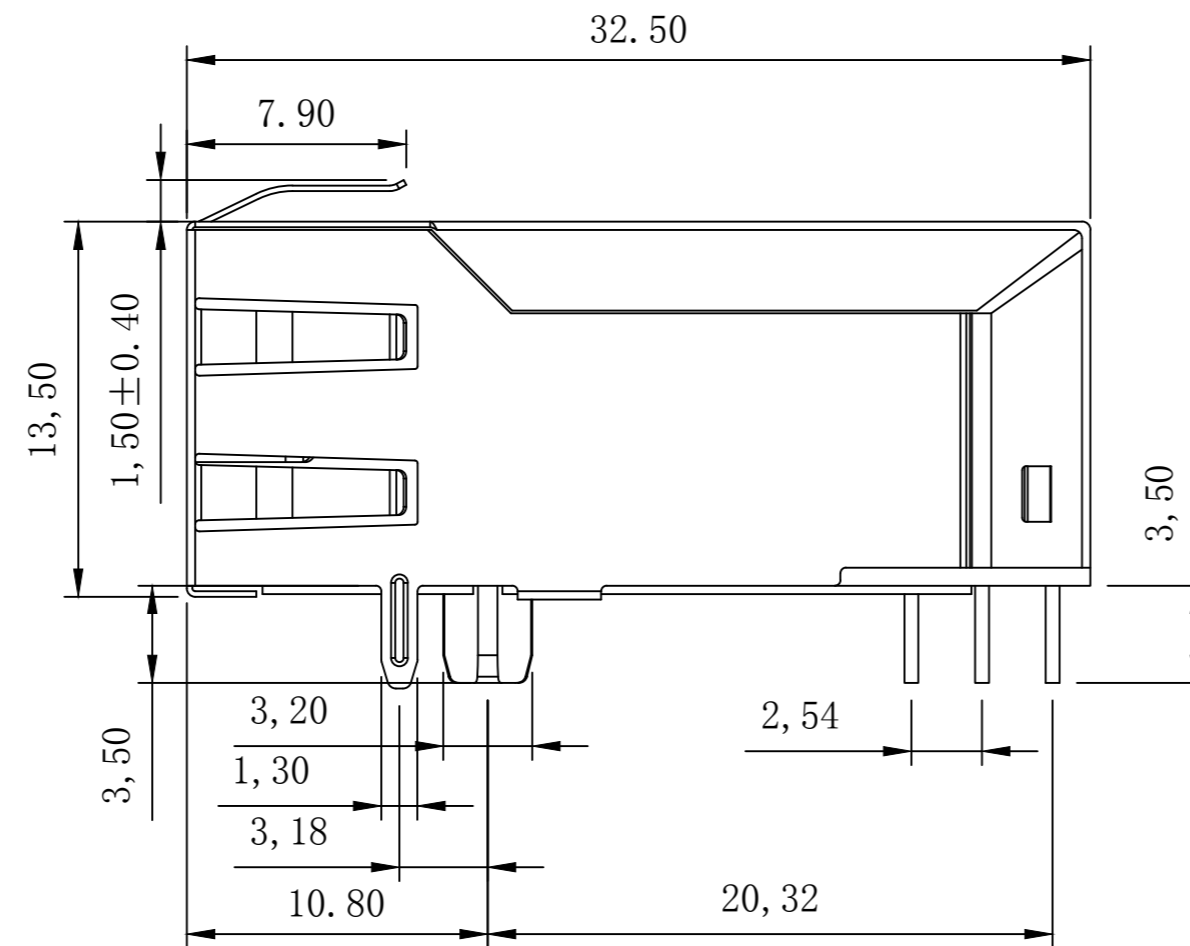
X:X ±0.30	APPD: TOM	LINK-PP INT'L TECHNOLOGY CO., LIMITED		
X:XX ±0.25	CHKD: JAMES			
X:XXX ±0.05	DR: LEO	TITLE: RJ45 Connector with 1000 Base-T Integrated Magnetics		
ANGLES ±1°	UNIT: mm	PART NO.: LPJK4071AINL		
	SCALE: 2/1	SHEET: 1/2	REV: A6	DWG NO.: LP23031807

Mechanical :

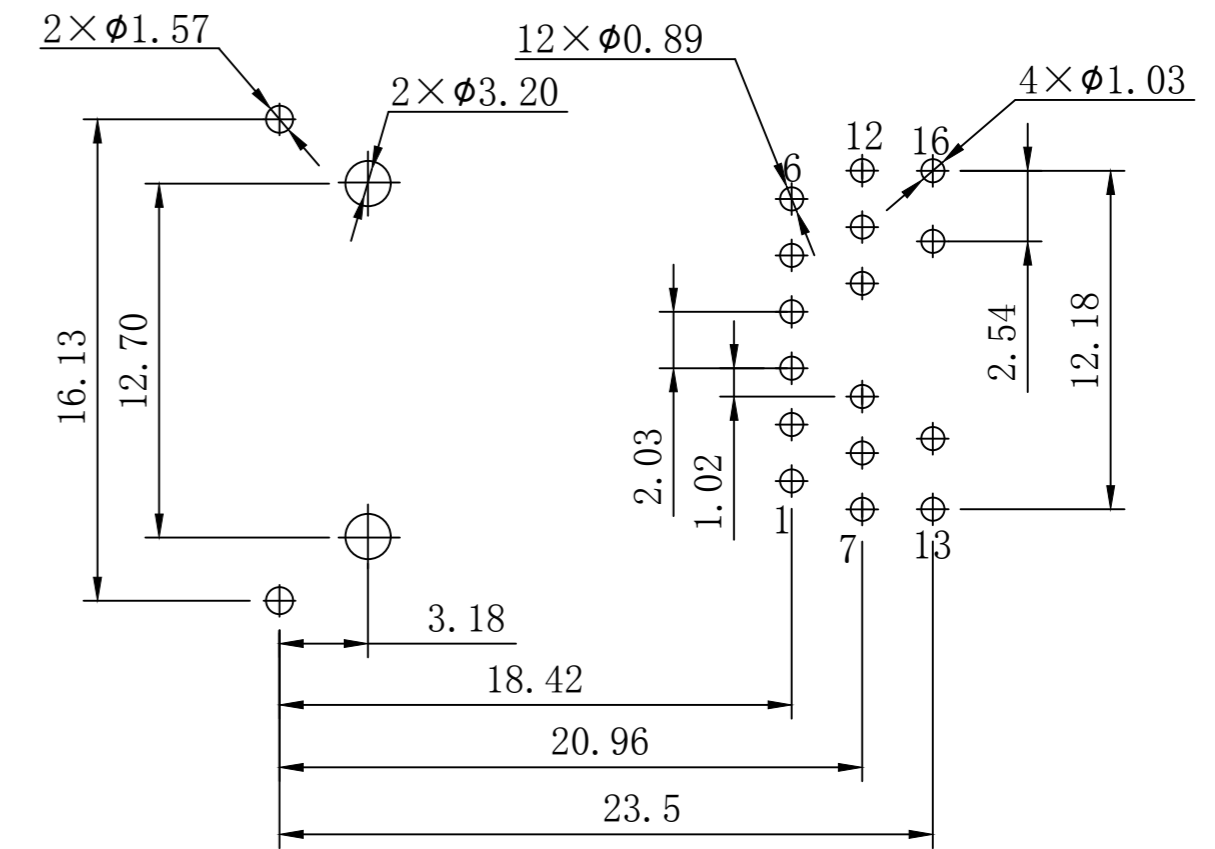
REV.	ECN NO.	DESCRIPTION	DATE	APPD
A6	REL		2023-03-18	



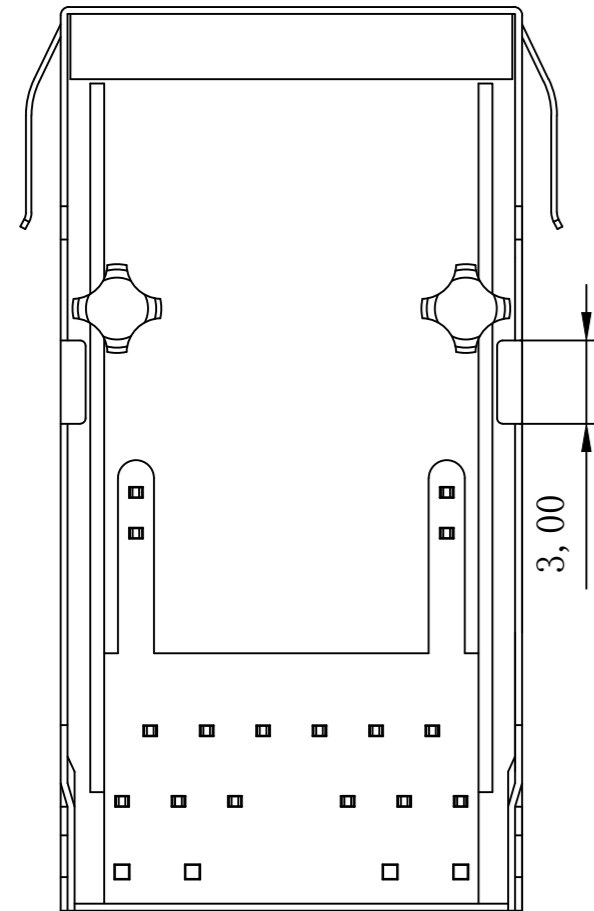
Front Side View



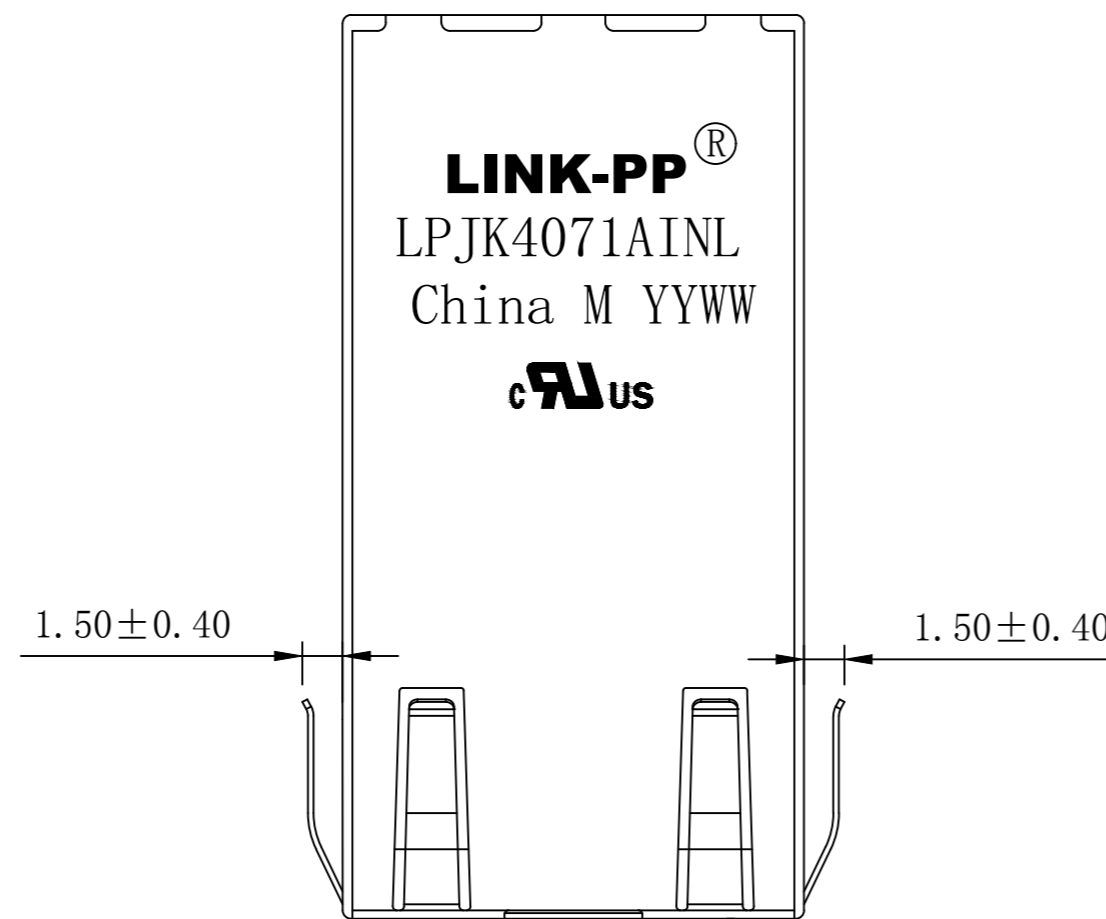
Left Side View



Suggested PCB Layout (Top View)



Bottom Side View



Top Side View



NOTES:

1. Designed to support application, such as SOHO (ADSL modems), LAN-on-Motherboard (LOM), hub and Switches.
2. Meets IEEE 802.3 specification
3. Connector Materials:
 Housing Material: Thermoplastic PBT+30%G.F UL94V-0
 Contact Material: Phosphor Bronze C5210R-EH Thickness=0.35mm
 Pins: Brass C2680R-H Thickness=0.35mm
 Shield: SUS 304 1/2EH Thickness=0.2mm
 Contact plating: Gold 6 micro-inches min. In contact area.
4. Wave solder tip temperature: 250°C, 5 Sec.
5. UL Certification: File Number E484635.

X:X ±0.30	APPD: TOM	LINK-PP INT'L TECHNOLOGY CO., LIMITED
X:XX ±0.25	CHKD: JAMES	
X:XXX ±0.05	DR: LEO	TITLE: RJ45 Connector with 1000 Base-T Integrated Magnetics
ANGLES ±1°	UNIT: mm	PART NO.: LPJK4071AINL
	SCALE: 2/1	SHEET: 2/2
	REV: A6	DWG NO.: LP23031807