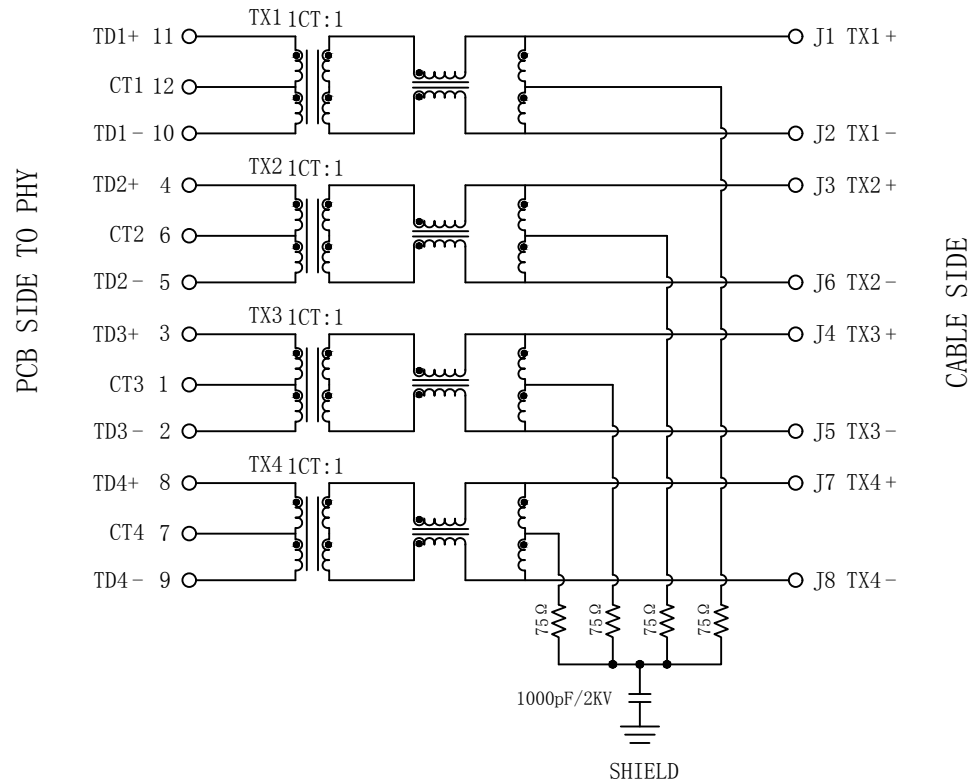


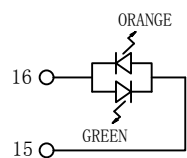
# Schematic:

REV.	ECN NO.	DESCRIPTION	DATE	APPD
A	REL		2023-03-18	

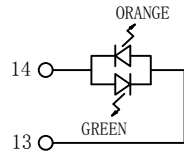


## ELECTRICAL SPECIFICATIONS @25°C

- Turn Ratio ( $\pm 3\%$ ):  
Pri : Sec = 1CT : 1
- Inductance OCL: 350uH Min  
@100KHz 0.1V 8mA DC Bias
- Insertion Loss:  
-1.0dB Max @ 1-100MHz
- Return Loss:  
-18dB Min @ 1-30MHz  
-15dB Min @ 30-60MHz  
-12dB Min @ 60-100MHz
- Cross talk:  
-40dB Min @ 30MHz  
-35dB Min @ 60MHz  
-30dB Min @ 100MHz
- Common Mode Rejection:  
-30dB Min @ 1-100MHz
- Hipot Test: 1500Vrms
- Operating Temperature Range: -40°C to +85°C.



LEFT LED



RIGHT LED

LED POLARITY		COLOR
PIN 16	PIN 15	
+	-	GREEN
-	+	ORANGE

LED POLARITY		COLOR
PIN 14	PIN 13	
+	-	GREEN
-	+	ORANGE

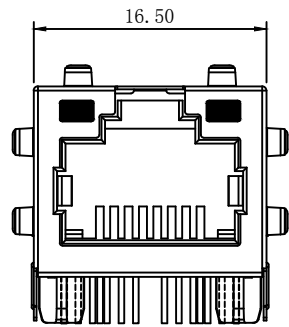


Emitting Color	$\lambda_p$ (nm)	V <sub>F</sub> @I <sub>F</sub> =20mA	IR @V <sub>R</sub> =5V
GREEN	565	1.8~2.6V	10 $\mu$ A max
ORANGE	600	1.8~2.6V	10 $\mu$ A max

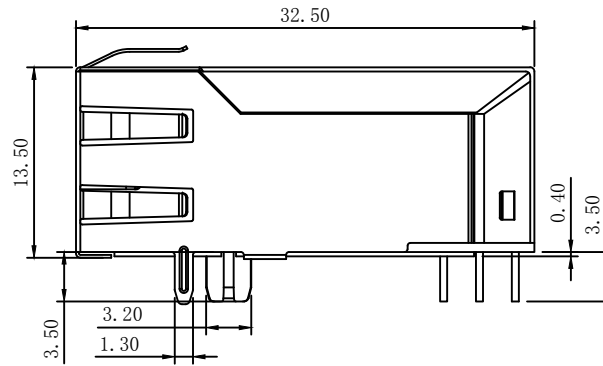
X:X	$\pm 0.30$	APPD: TOM	LINK-PP INT'L TECHNOLOGY CO., LIMITED	
X:XX	$\pm 0.25$	CHKD: JAMES		
X:XXX	$\pm 0.05$	DR: LEO	TITLE: RJ45 Connector with 1000 Base-T Integrated Magnetics	
ANGLES	$\pm 1^\circ$	UNIT: mm	PART NO.: LPJK4071A55NL	
	SCALE: 2/1	SHEET: 1/2	REV: A	DWG NO.: LP23031812

# Mechanical :

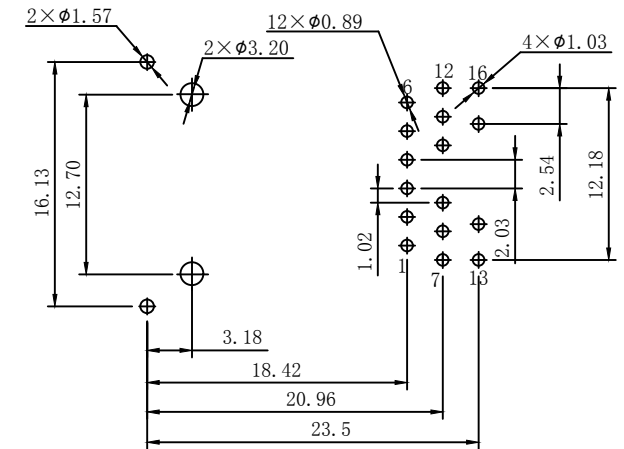
REV.	ECN NO.	DESCRIPTION	DATE	APPD
A	REL		2023-03-18	



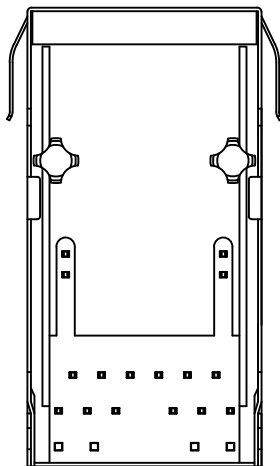
Front Side View



Left Side View



Suggested PCB Layout (Top View)



Bottom Side View



Top Side View

## NOTES:

1. Designed to support application, such as SOHO (ADSL modems), LAN-on-Motherboard (LOM), hub and Switches.
2. Meets IEEE 802.3af specification
3. Connector Materials:  
 Housing Material: Thermoplastic PBT+30%G. F UL94V-0  
 Contact Material: Phosphor Bronze C5210R-EH Thickness=0.35mm  
 Pins: Brass C2680R-H Thickness=0.35mm  
 Shield: SUS 304 1/2EH Thickness=0.2mm  
 Contact plating: Gold 6 micro-inches min. In contact area.
4. Wave solder tip temperature: 260°C, 5 Sec.
5. UL Certification: File Number E321120



X:X ±0.30	APPD: TOM	LINK-PP INT'L TECHNOLOGY CO., LIMITED
X:XX ±0.25	CHKD: JAMES	
X:XXX ±0.05	DR: LEO	TITLE: RJ45 Connector with 1000 Base-T Integrated Magnetics
ANGLES ±1°	UNIT: mm	PART NO.: LPJK4071A55NL
	SCALE: 2/1	SHEET: 2/2
	REV: A	DWG NO.: LP23031812