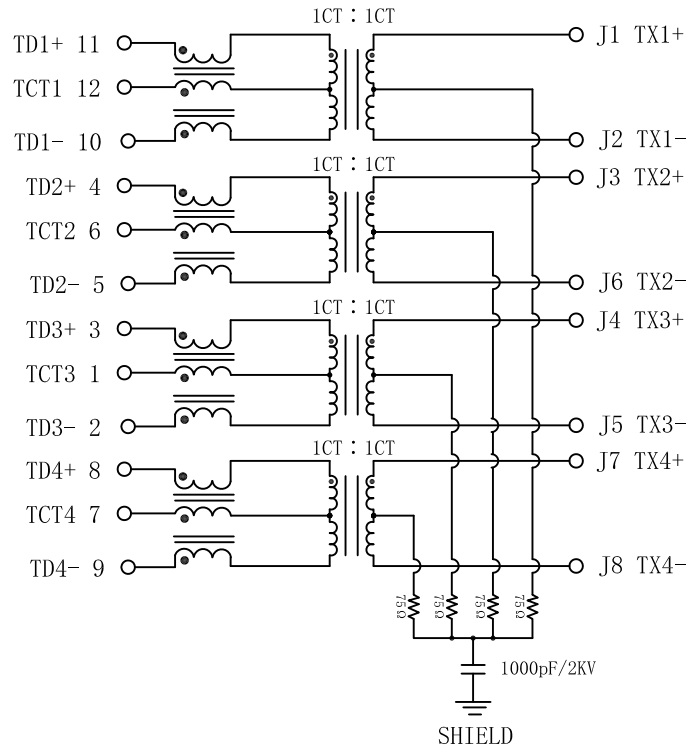


# Schematic:

REV.	ECN NO.	DESCRIPTION	DATE	APPD
A	REL		2008-11-06	

PC BOARD CONNECTIONS



RJ45 CONNECTOR

## Electrical Specifications @25°C

### 1. Turns Ratio:

$$(P11-P10) : (J1-J2) = 1 : 1 \pm 2\%$$

$$(P4-P5) : (J3-J6) = 1 : 1 \pm 2\%$$

$$(P3-P2) : (J4-J5) = 1 : 1 \pm 2\%$$

$$(P8-P9) : (J7-J8) = 1 : 1 \pm 2\%$$

### 2. Inductance:

$$(P11-P10); (P4-P5); (P3-P2); (P8-P9):$$

$$350\mu\text{H MIN. @ 100\text{KHz}, 0.1\text{V}, 8\text{mA DC Bias}$$

### 3. Insertion Loss:

$$1\sim 100\text{MHz}: -1.0\text{dB MAX}$$

### 4. Return Loss (dB MIN):

$$1\sim 10\text{MHz}: -20 \quad 30\text{MHz}: -16$$

$$60\sim 80\text{MHz}: -12 \quad 80\sim 100\text{MHz}: -10$$

### 5. Crosstalk (dB MIN):

$$1\sim 10\text{MHz}: -40 \quad 32\sim 65\text{MHz}: -35$$

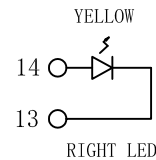
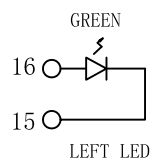
$$65\sim 100\text{MHz}: -30$$

### 6. Common Mode Rejection (dB MIN):

$$1\sim 125\text{MHz}: -30 \quad 125\sim 500\text{MHz}: -20$$

### 7. Hipot: 1500Vrms @60Hz

### 8. Operating Temperature: -40°C ~ +85°C.

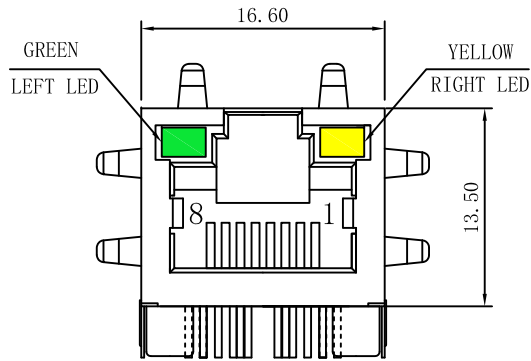


Emitting Color	$\lambda$ p(nm)	VF@IF=20mA	IR @VR=5V
YELLOW	585	1.8~2.6V	10 $\mu$ A max
GREEN	565	1.8~2.6V	10 $\mu$ A max

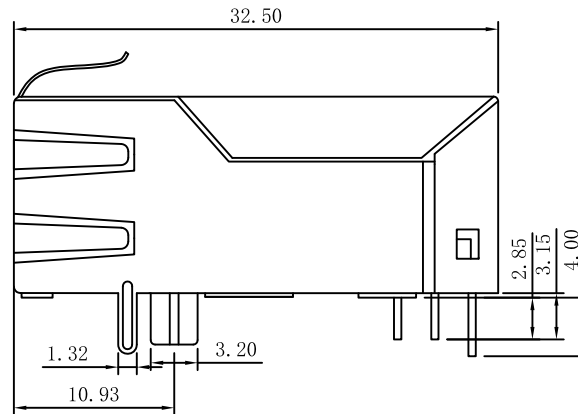
X:X	$\pm 0.30$	APPD:	LINK-PP INT'L TECHNOLOGY CO., LIMITED
X:XX	$\pm 0.25$	CHKD:	
X:XXX	$\pm 0.05$	DR: TOM	
ANGLES	$\pm 1^\circ$	UNIT: mm	PART NO.: LPJK4036AHNL
	SCALE: 2/1	SHEET: 1/2	REV: A
			DWG NO.: LP08110620

# Mechanical :

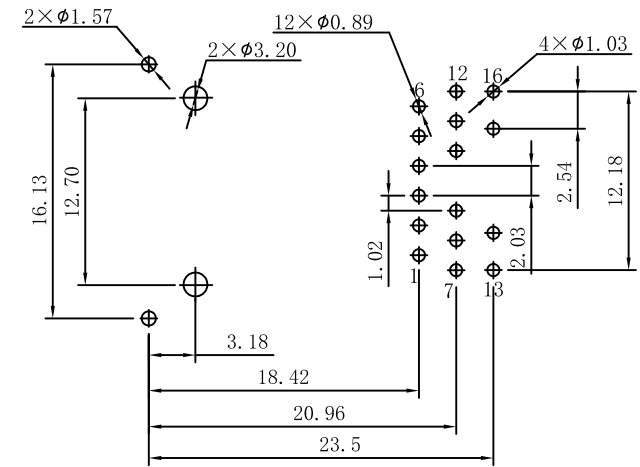
REV.	ECN NO.	DESCRIPTION	DATE	APPD
A	REL		2008-11-06	



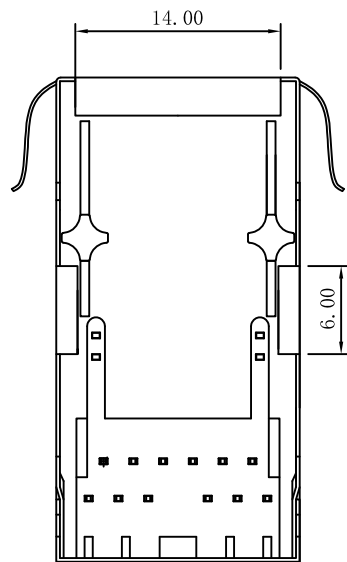
Front Side View



Left Side View



Suggested PCB Layout (Top View)



Bottom Side View



Top Side View

## NOTES:

1. Designed to support application, such as SOHO (ADSL modems), LAN-on-Motherboard (LOM), hub and Switches.
2. Meets IEEE 802.3 specification
3. Connector Materials:  
Housing: Thermoplastic UL94V-0  
Contact/Shield: Copper alloy  
Shield plating: Nickel  
Contact plating: Gold 6 micro-inches Min. In contact area.
4. Wave peak temperature: 260°C Max, 5Sec.
5. UL Certification: File Number E484635.

X:X ±0.30	APPD:	LINK-PP INT'L TECHNOLOGY CO., LIMITED
X:XX ±0.25	CHKD:	
X:XXX ±0.05	DR: TOM	TITLE: RJ45 Connector with 1000 Base-T Integrated Magnetics
ANGLES ±1°	UNIT: mm	PART NO.: LPJK4036AHNL
	SCALE: 2/1	SHEET: 2/2
	REV: A	DWG NO.: LP08110620