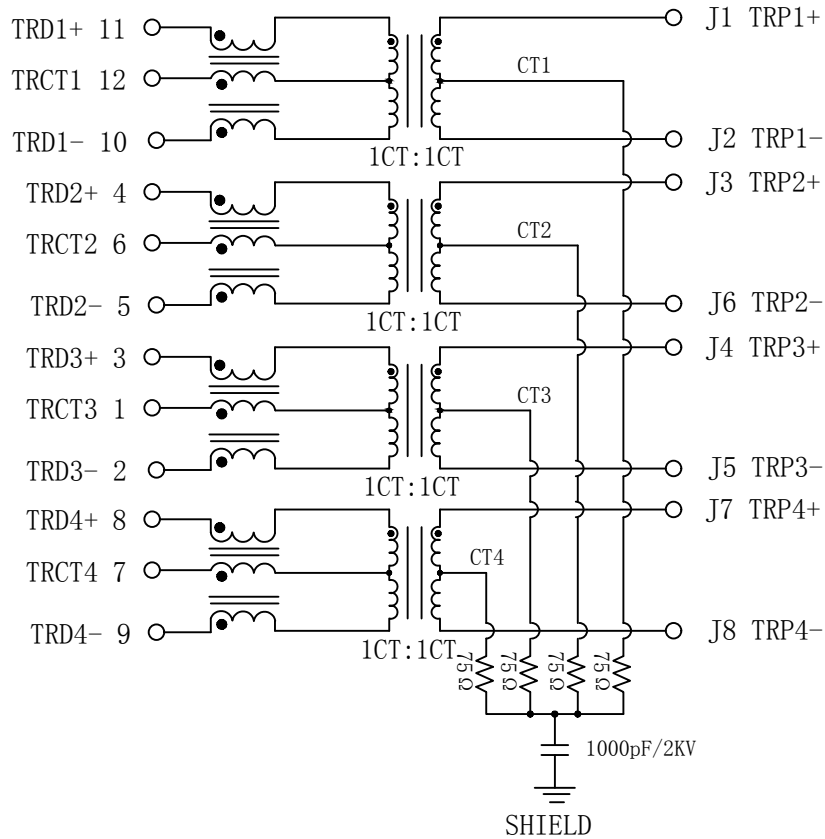


# Schematic:

REV.	ECN NO.	DESCRIPTION	DATE	APPD
A	REL		2023-03-18	

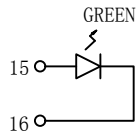
PCB SIDE

CABLE SIDE



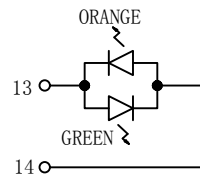
- Electrical Specifications @25°C
- OCL(@100KHz, 100mV, 8mA DC BIAS):  
350uH min
  - Turns Ratio(±2%):  
1CT : 1CT
  - Insertion Loss:  
1~100MHz:-1.0dB max
  - Return Loss(dB min):  
1~10MHz:-20 ; 30MHz:-16  
60~80MHz:-12 ; 80~100MHz:-10
  - Crosstalk(dB min):  
1~10MHz:-40 ; 32~65MHz:-35  
65~100MHz:-30
  - Common Mode Rejection(dB min):  
1~100MHz:-30
  - Hi-Pot: 1500Vrms
  - Operating Temperature: -40°C ~+85°C.

Emitting Color	$\lambda_p$ (nm)	V <sub>F</sub> @I <sub>F</sub> =20mA	I <sub>R</sub> @V <sub>R</sub> =5V
ORANGE	610	1.8~2.6V	10 $\mu$ A max
GREEN	565	1.8~2.6V	10 $\mu$ A max



LEFT LED

LED POLARITY		COLOR
PIN 15	PIN 16	
+	-	GREEN



RIGHT LED

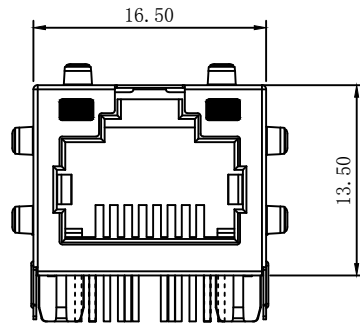
LED POLARITY		COLOR
PIN 13	PIN 14	
+	-	GREEN
-	+	ORANGE



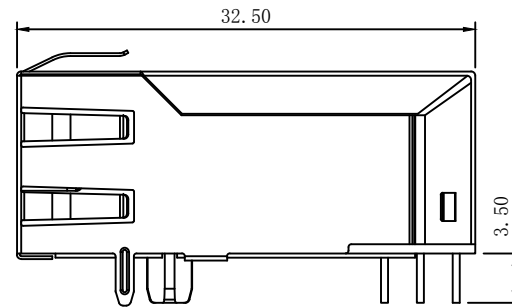
X:X ±0.30	APPD: TOM	LINK-PP INT'L TECHNOLOGY CO., LIMITED
X:XX ±0.25	CHKD: JAMES	
X:XXX ±0.05	DR: LEO	TITLE: RJ45 Connector with 1000 Base-T Integrated Magnetics
ANGLES ±1°	UNIT: mm	PART NO.: LPJK4036A63NL
	SCALE: 2/1	SHEET: 1/2
	REV: A	DWG NO.: LP23031825

# Mechanical :

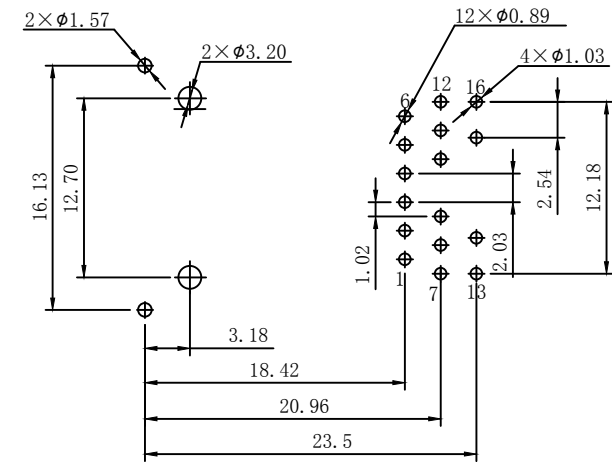
REV.	ECN NO.	DESCRIPTION	DATE	APPD
A	REL		2023-03-18	



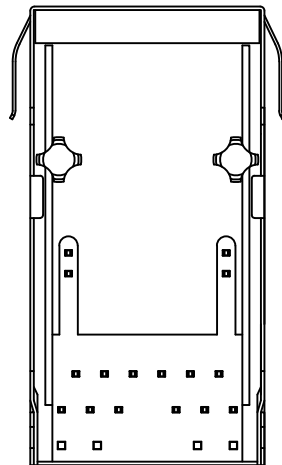
Front Side View



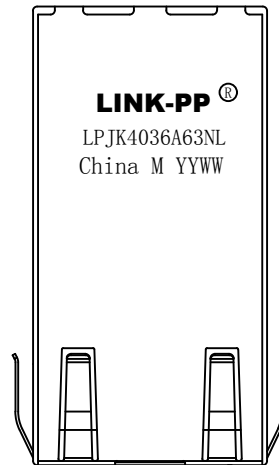
Left Side View



Suggested PCB Layout (Top View)



Bottom Side View



Top Side View

## NOTES:

1. Designed to support application, such as SOHO (ADSL modems), LAN-on-Motherboard (LOM), hub and Switches.
2. Meets IEEE 802.3af specification
3. Connector Materials:  
 Housing Material: Thermoplastic PBT+30%G.F UL94V-0  
 Contact Material: Phosphor Bronze C5210R-EH Thickness=0.35mm  
 Pins: Brass C2680R-H Thickness=0.35mm  
 Shield: SUS 304 1/2EH Thickness=0.2mm  
 Contact plating: Gold 6 micro-inches min. In contact area.
4. Wave solder tip temperature: 260°C, 5 Sec.
5. UL Certification: File Number E484635.



X:X ±0.30	APPD: TOM	LINK-PP INT'L TECHNOLOGY CO., LIMITED
X:XX ±0.25	CHKD: JAMES	
X:XXX ±0.05	DR: LEO	TITLE: RJ45 Connector with 1000 Base-T Integrated Magnetics
ANGLES ±1°	UNIT: mm	PART NO.: LPJK4036A63NL
	SCALE: 2/1	SHEET: 2/2
	REV: A	DWG NO.: LP23031825