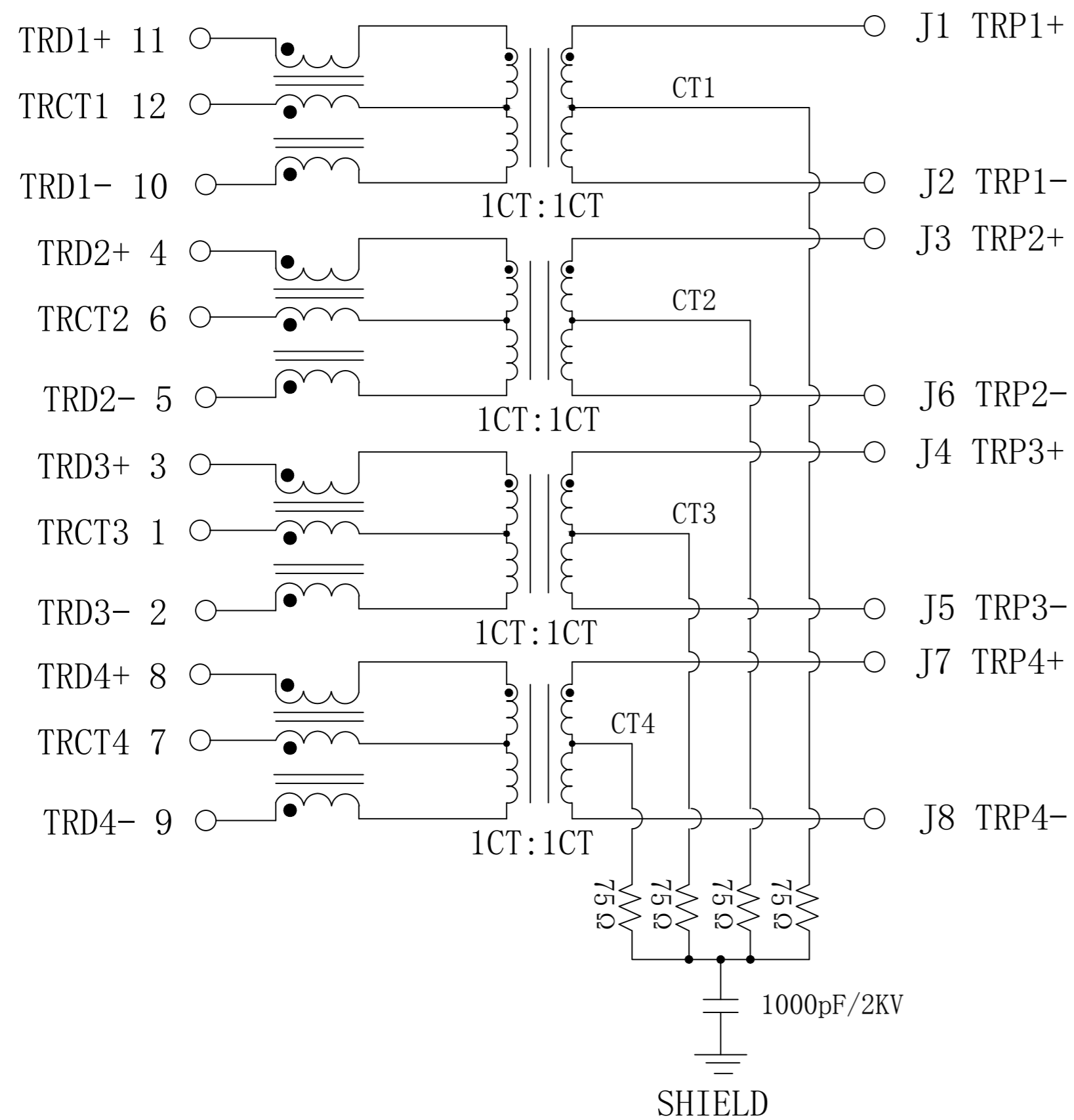


Schematic:

REV.	ECN NO.	DESCRIPTION	DATE	APPD
A6	REL		2023-03-16	

PCB SIDE

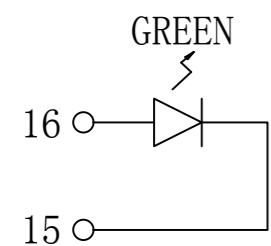


CABLE SIDE

Electrical Specifications @25°C

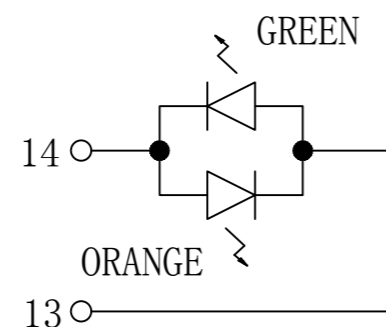
- Turns Ratio ($\pm 2\%$):
Pri : Sec = 1CT : 1CT
- OCL (@100KHz, 100mV, 8mA DC Bias):
350uH min
- Insertion Loss:
1~100MHz: -1.0dB max
- Return Loss (dB min):
1~10MHz: -20 ; 30MHz: -16
60~80MHz: -12 ; 80~100MHz: -10
- Crosstalk (dB min):
1~10MHz: -40 ; 32~65MHz: -35
65~100MHz: -30
- Common Mode Rejection (dB min):
1~100MHz: -30
- Isolation PHY SIDE To Line SIDE : 1500Vrms
- Operating Temperature: -40°C ~ +85°C.

Emitting Color	λ_p (nm)	$V_F @ I_F = 20mA$	$I_R @ V_R = 5V$
GREEN	565	1.8~2.6V	10 μA max
YELLOW	585	1.8~2.6V	10 μA max



LEFT LED

LED POLARITY		COLOR
PIN 16	PIN 15	
+	-	GREEN



RIGHT LED

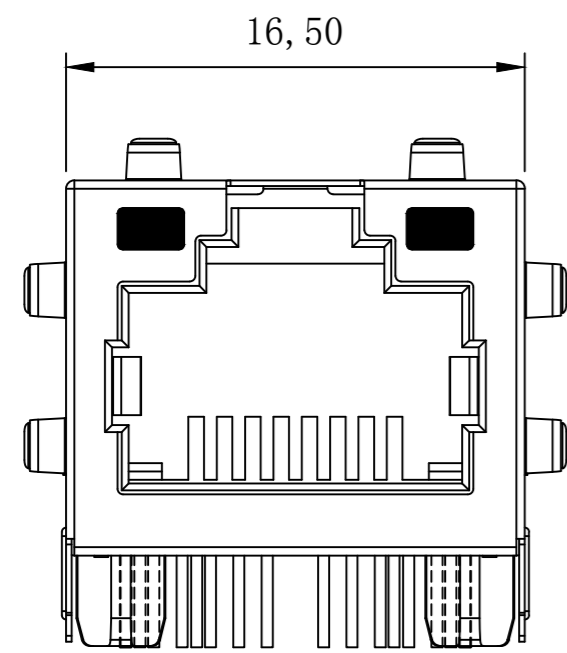
LED POLARITY		COLOR
PIN 14	PIN 13	
+	-	ORANGE
-	+	GREEN



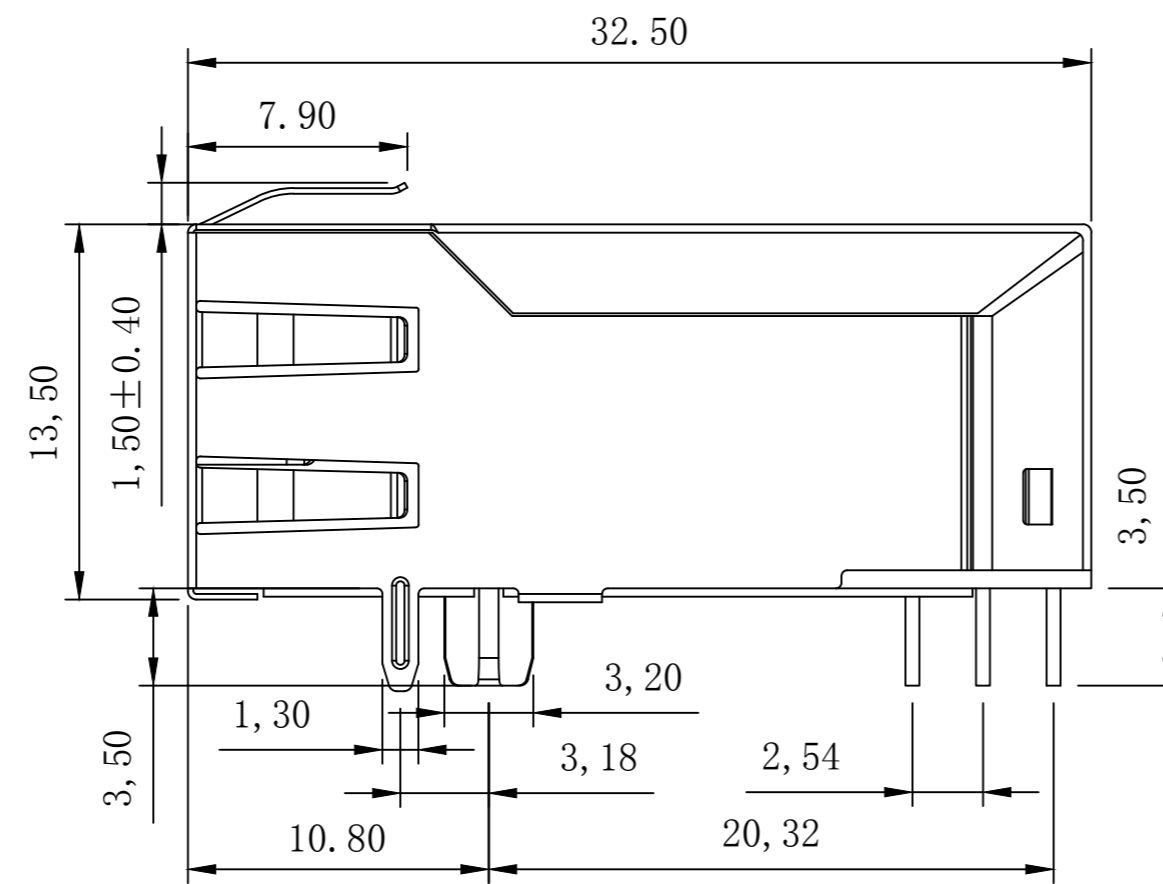
X:X ± 0.30	APPD: TOM	LINK-PP INT'L TECHNOLOGY CO., LIMITED
X:XX ± 0.25	CHKD: JAMES	
X:XXX ± 0.05	DR: LEO	TITLE: RJ45 Connector with 1000 Base-T Integrated Magnetics
ANGLES $\pm 1^\circ$	UNIT: mm	PART NO.: LPJK4036A105NL
	SCALE: 2/1	SHEET: 1/2
	REV: A6	DWG NO.: LP23031642

Mechanical :

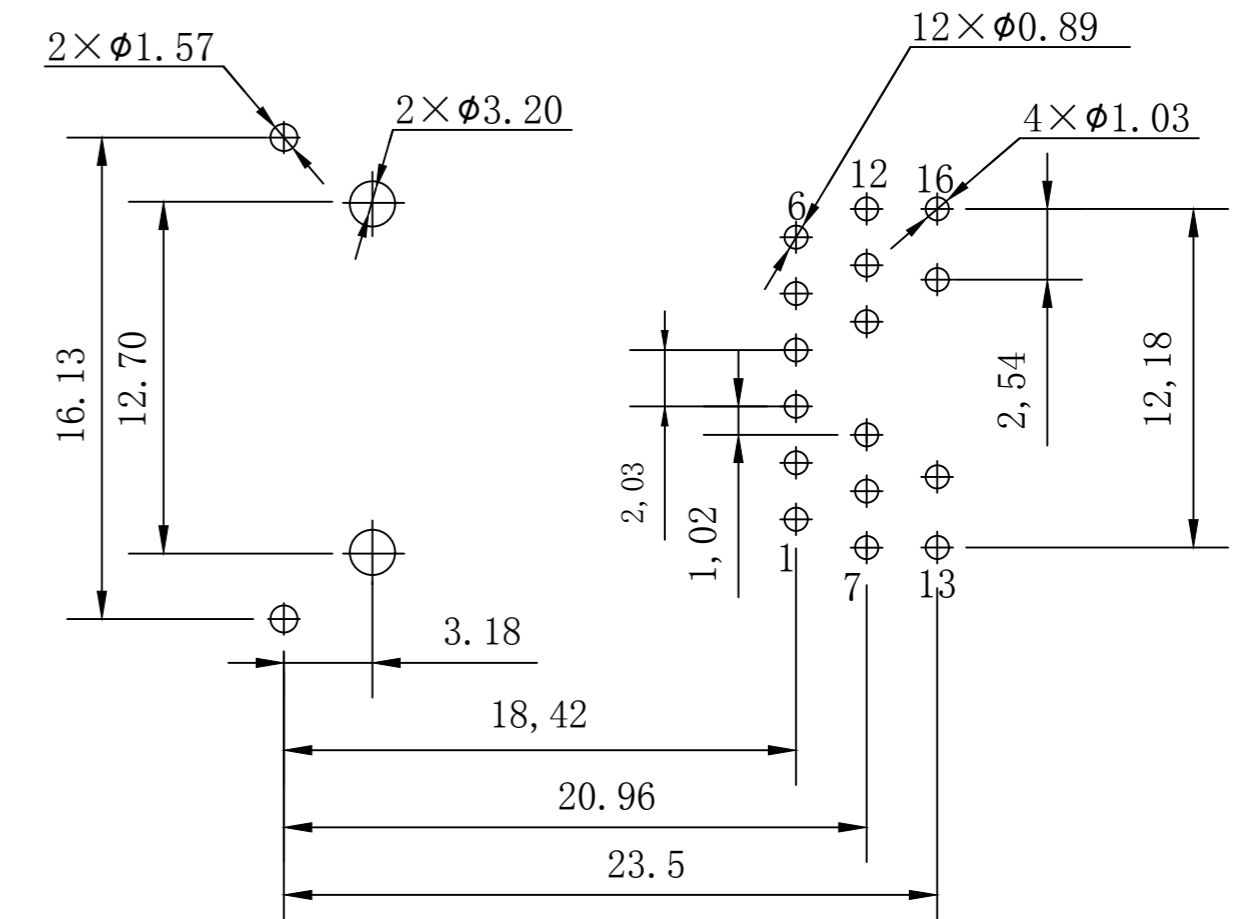
REV.	ECN NO.	DESCRIPTION	DATE	APPD
A6	REL		2023-03-16	



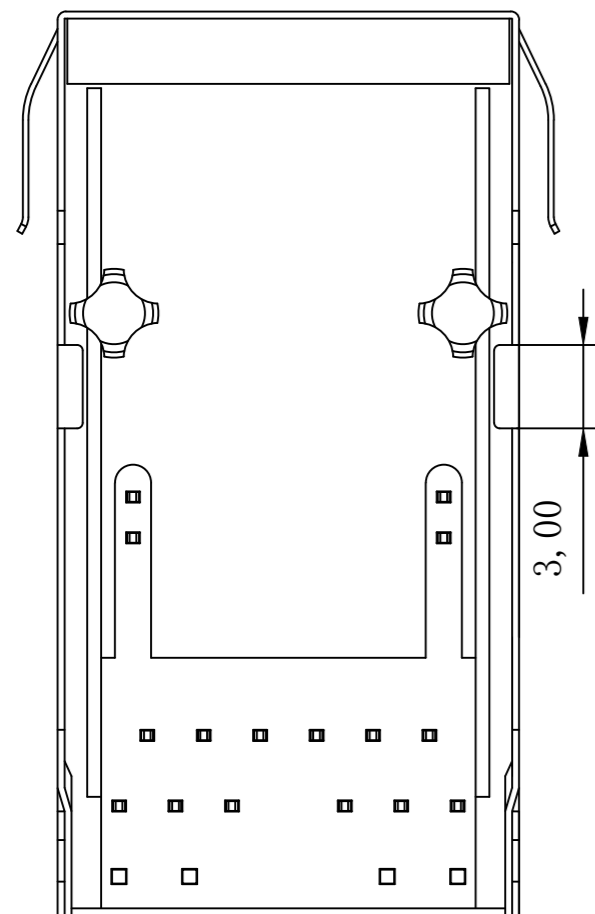
Front Side View



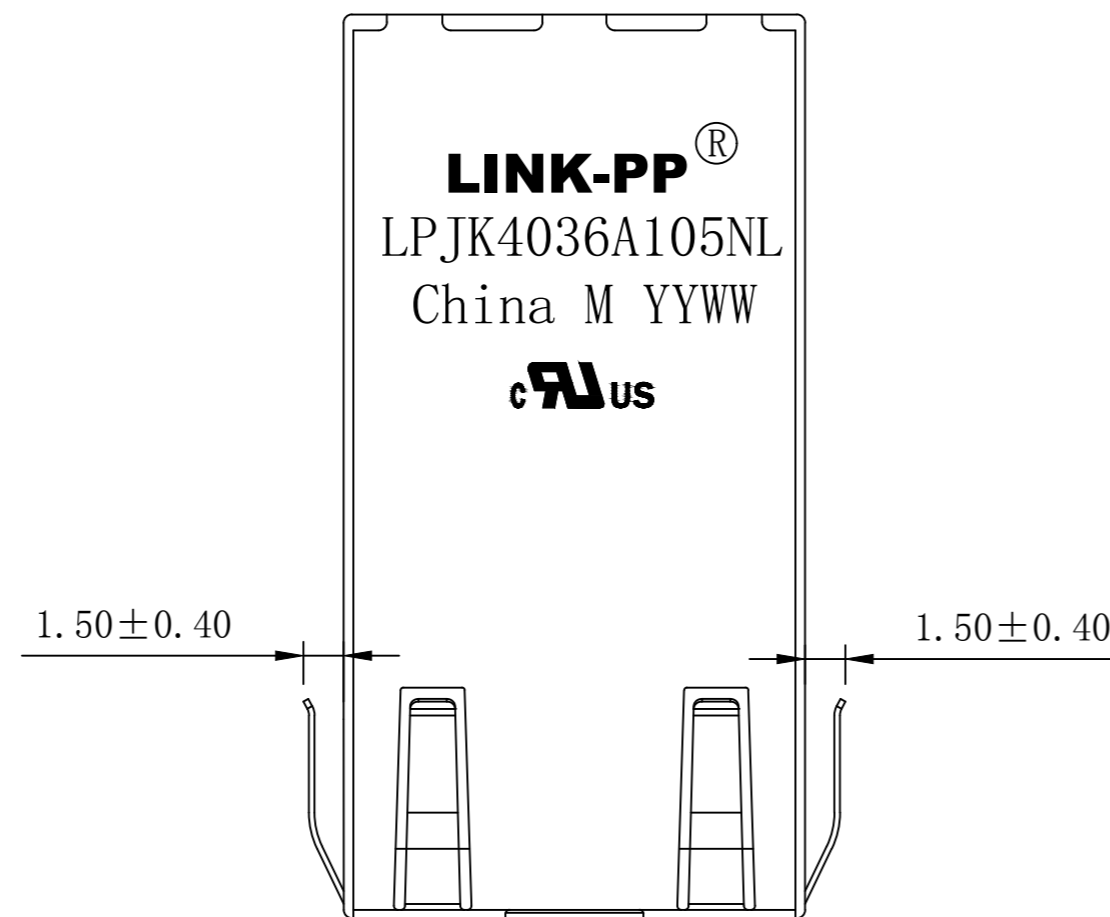
Left Side View



Suggested PCB Layout (Top View)



Bottom Side View



Top Side View



NOTES:

1. Designed to support application, such as SOHO (ADSL modems), LAN-on-Motherboard (LOM), hub and Switches.
2. Meets IEEE 802.3 specification
3. Connector Materials:
 Housing Material: Thermoplastic PBT+30%G. F UL94V-0
 Contact Material: Phosphor Bronze C5210R-EH Thickness=0.35mm
 Pins: Brass C2680R-H Thickness=0.35mm
 Shield: SUS 304 1/2EH Thickness=0.2mm
 Contact plating: Gold 6 micro-inches min. In contact area.
4. Wave solder tip temperature: 250°C, 5 Sec.
5. UL Certification: File Number E484635.

X:X ±0.30	APPD: TOM	LINK-PP INT'L TECHNOLOGY CO., LIMITED
X:XX ±0.25	CHKD: JAMES	
X:XXX ±0.05	DR: LEO	TITLE: RJ45 Connector with 1000 Base-T Integrated Magnetics
ANGLES ±1°	UNIT: mm	PART NO.: LPJK4036A105NL
	SCALE: 2/1	SHEET: 2/2
	REV: A6	DWG NO.: LP23031642