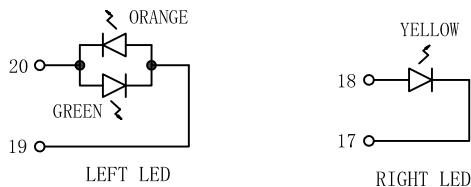
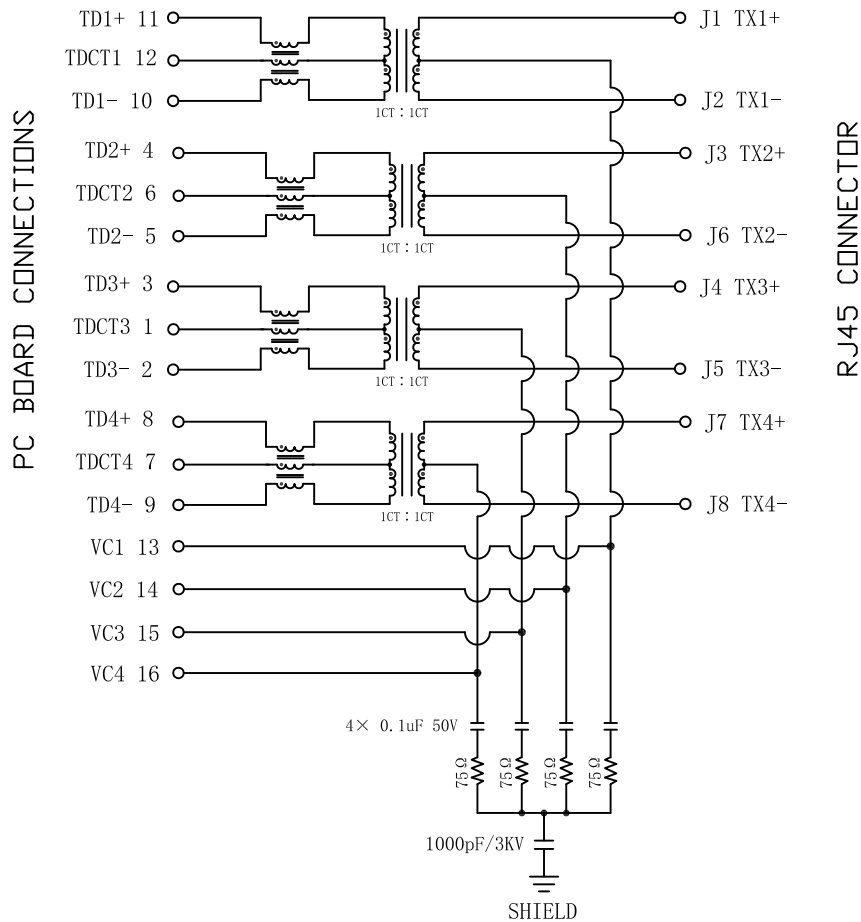


Schematic:



REV.	ECN NO.	DESCRIPTION	DATE	APPD
A	REL		2014/03/25	

Electrical Specifications @25°C

- Inductance: 350uH Min @ 100KHz, 0.1V, 8mA DC BIAS
- Turns Ratio(±3%): 1CT : 1CT
- Insertion Loss:
1-100MHz:-1.1dB Max
- Return Loss:
1-40MHz:-18dB Min
60MHz:-14dB Min
80MHz:-12dB Min
100MHz:-10dB Min
- Crosstalk:
1-100MHz:-35dB Typ
- Common Mode Rejection:
0.1-30MHz:-38dB Typ
30-60MHz:-35dB Typ
60-100MHz:-30dB Typ
- Designed for PoE applications with maximum current of 350mA per pair
- Hipot: 1500Vrms Min
- Operating Temperature: 0°C~70°C.

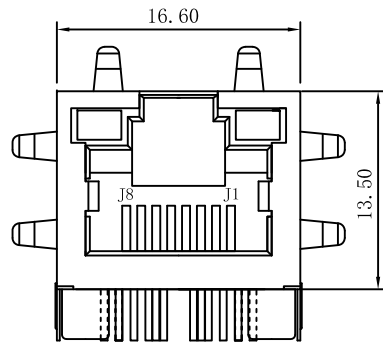


Emitting Color	λ p(nm)	VF@IF=20mA	IR @VR=5V
ORANGE / GREEN	610 / 565	1.8~2.6V	10 μA max
YELLOW	585	1.8~2.6V	10 μA max

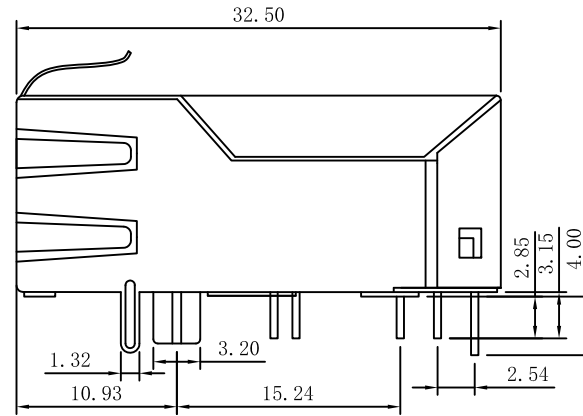
X:X	±0.30	APPD:	LINK-PP INT'L TECHNOLOGY CO., LIMITED
X:XX	±0.25	CHKD:	
X:XXX	±0.10	DR: TOM	TITLE: RJ45 Connector With 1000 Base-TX Integrated Magnetic For PoE Application
ANGLES	±1°	UNIT: mm	PART NO.: LPJK2072AONL
	SCALE: 2/1	SHEET: 1/2	REV: A
			DWG NO.: LP14032524

Mechanical :

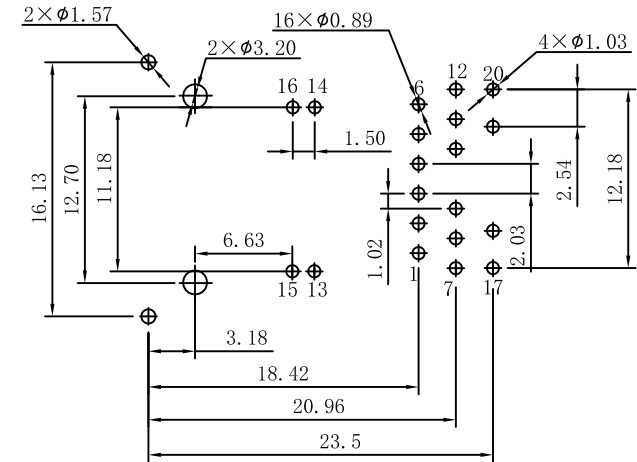
REV.	ECN NO.	DESCRIPTION	DATE	APPD
A	REL		2014/03/25	



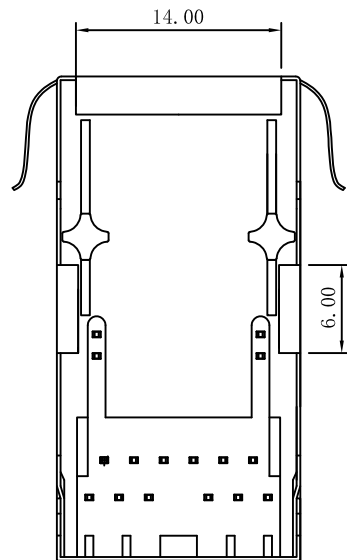
Front Side View



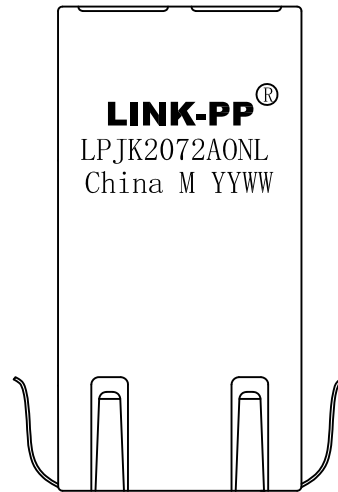
Left Side View



Suggested PCB Layout (Top View)



Bottom Side View



Top Side View



NOTES:

1. Designed to support application, such as SOHO (ADSL modems), LAN-ON-Motherboard (LOM), hub and Switches.
2. Meets IEEE 802.3af specification
3. Connector Materials:

Housing Material: Thermoplastic PBT+30%G.F UL94V-0
 Contact Material: Phosphor Bronze C5210R-EH Thickness=0.35mm
 Pins: Brass C2680R-H Thickness=0.35mm
 Shield: Copper alloy Brass H65Y Thickness=0.2mm
 Contact plating: Gold 6 micro-inches min. In contact area.

4. Wave solder tip temperature: 265°C Max, 5 Sec.
5. UL Certification: File Number E484635.

X:X	±0.30	APPD:	LINK-PP INT'L TECHNOLOGY CO., LIMITED
X:XX	±0.25	CHKD:	
X:XXX	±0.10	DR: TOM	TITLE: RJ45 Connector With 1000 Base-TX Integrated Magnetic For PoE Application
ANGLES	±1°	UNIT: mm	PART NO.: LPJK2072A0NL
	SCALE: 2/1	SHEET: 2/2	REV: A DWG NO.: LP14032524