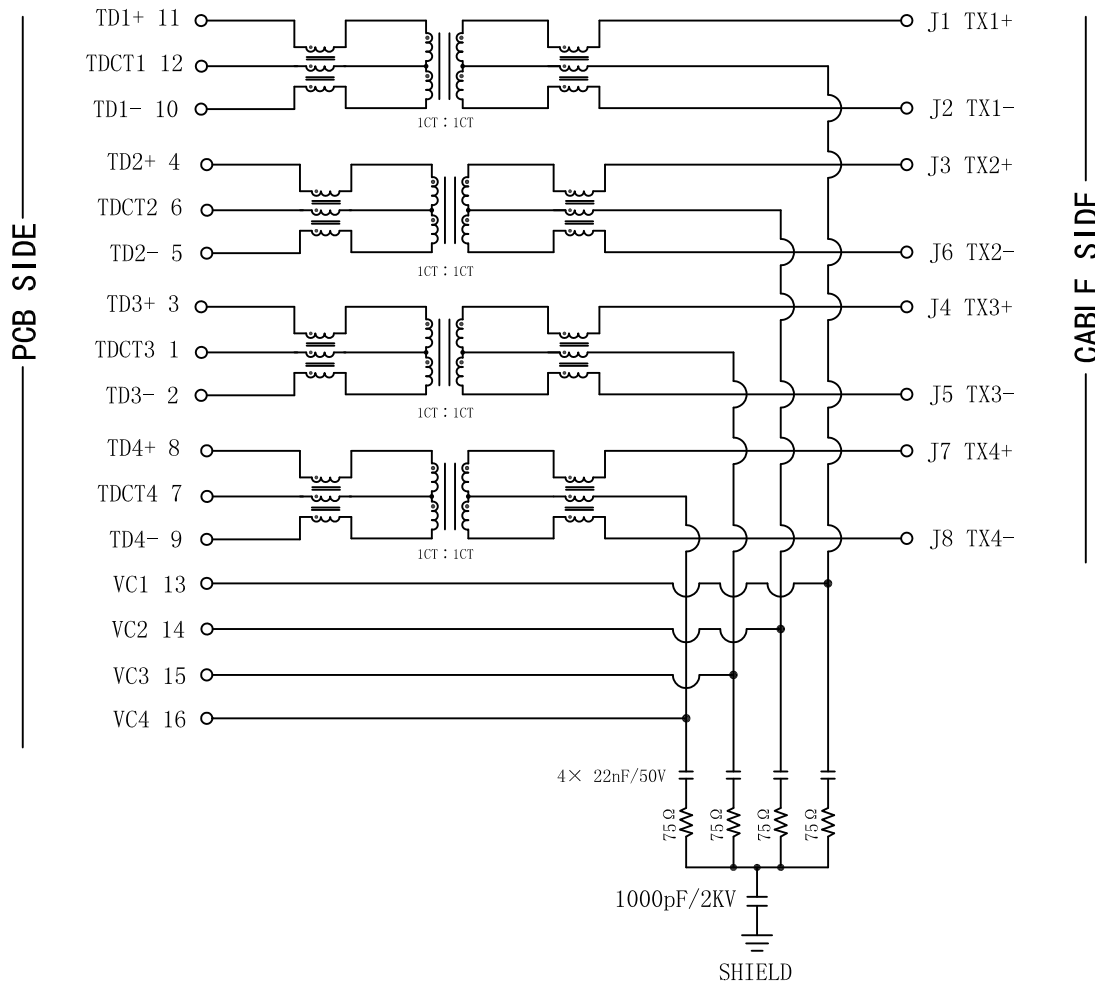


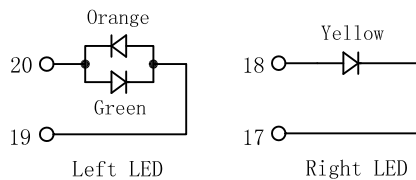
Schematic:

REV.	ECN NO.	DESCRIPTION	DATE	APPD
A	REL		2013-12-26	



Electrical Specifications @25°C

1. OCL: 350uH min
@100KHz, 100mV, 8mA DC BIAS
2. Turns Ratio ($\pm 3\%$):
1CT : 1CT
3. Insertion Loss:
1~100MHz: -1.3dB max
4. Return Loss (dB min @load 100 Ω):
1~30MHz: -16 ; 60~80MHz: -12 ;
80~100MHz: -10
5. Crosstalk:
1~100MHz: -30dB min ;
6. Common Mode Rejection (dB min):
1~100MHz: -30 ; 100~500MHz: -20
7. Hi-Pot: 1500Vrms @60Hz
8. Operating Temperature: 0°C ~70°C.
9. Designed to handle 720mA DC and meet 802.3at.

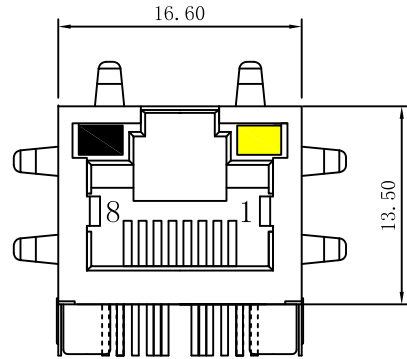


Emitting Color	λ p(nm)	VF@IF=20mA	IR @VR=5V
Green	565	1.8~2.4V	10 μ A max
Yellow	585	1.8~2.4V	10 μ A max
Orange	610	1.8~2.4V	10 μ A max

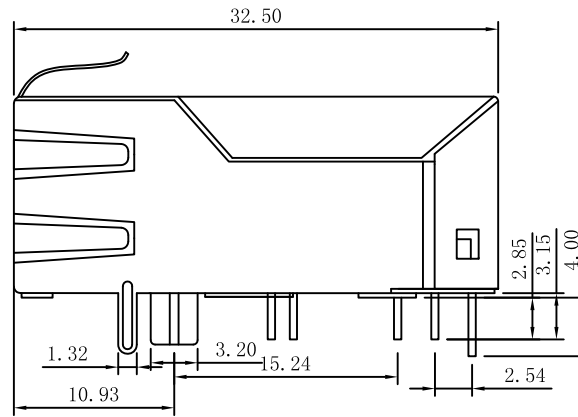
X:X	± 0.25	APPD:	LINK-PP INT'L TECHNOLOGY CO., LIMITED	
X:XX	± 0.20	CHKD:	TITLE: RJ45 Connector with 1000 Base-T Integrated Magnetics For PoE+ Application	
X:XXX	± 0.05	DR: TOM		
ANGLES	$\pm 1^\circ$	UNIT: mm	PART NO.: LPJK2068AONL	
	SCALE: 2/1	SHEET: 1/2	REV: A	DWG NO.: LP13122616

Mechanical :

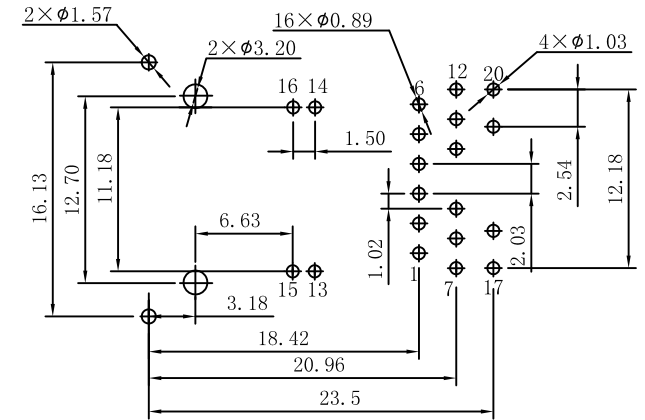
REV.	ECN NO.	DESCRIPTION	DATE	APPD
A	REL		2013-12-26	



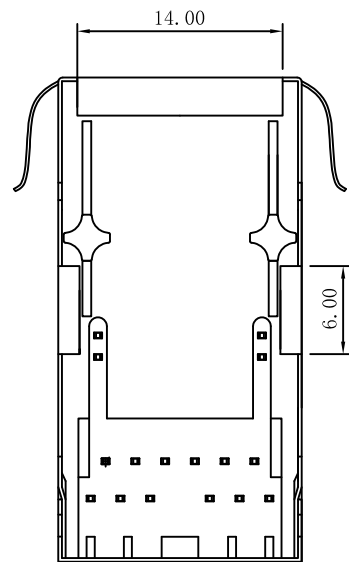
Front Side View



Left Side View



Suggested PCB Layout (Top View)



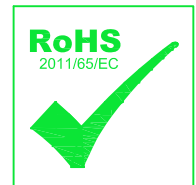
Bottom Side View



Top Side View

NOTES:

- Meets IEEE 802.3at specification
- Connector Materials:
 - Housing: Thermoplastic UL94V-0
 - Contact/Shield: Copper alloy
 - Shield plating: Nickel
 - Contact plating: Gold 6 micro-inches min. In contact area.
- Wave solder tip temperature: 265°C Max, 5 Sec Max



X:X	±0.25	APPD:	LINK-PP INT'L TECHNOLOGY CO., LIMITED	
X:XX	±0.20	CHKD:	TITLE: RJ45 Connector with 1000 Base-T Integrated Magnetics For PoE+ Application	
X:XXX	±0.05	DR: TOM	PART NO.: LPJK2068A0NL	
ANGLES	±1°	UNIT: mm	DWG NO.: LP13122616	
	SCALE: 2/1	SHEET: 2/2	REV: A	