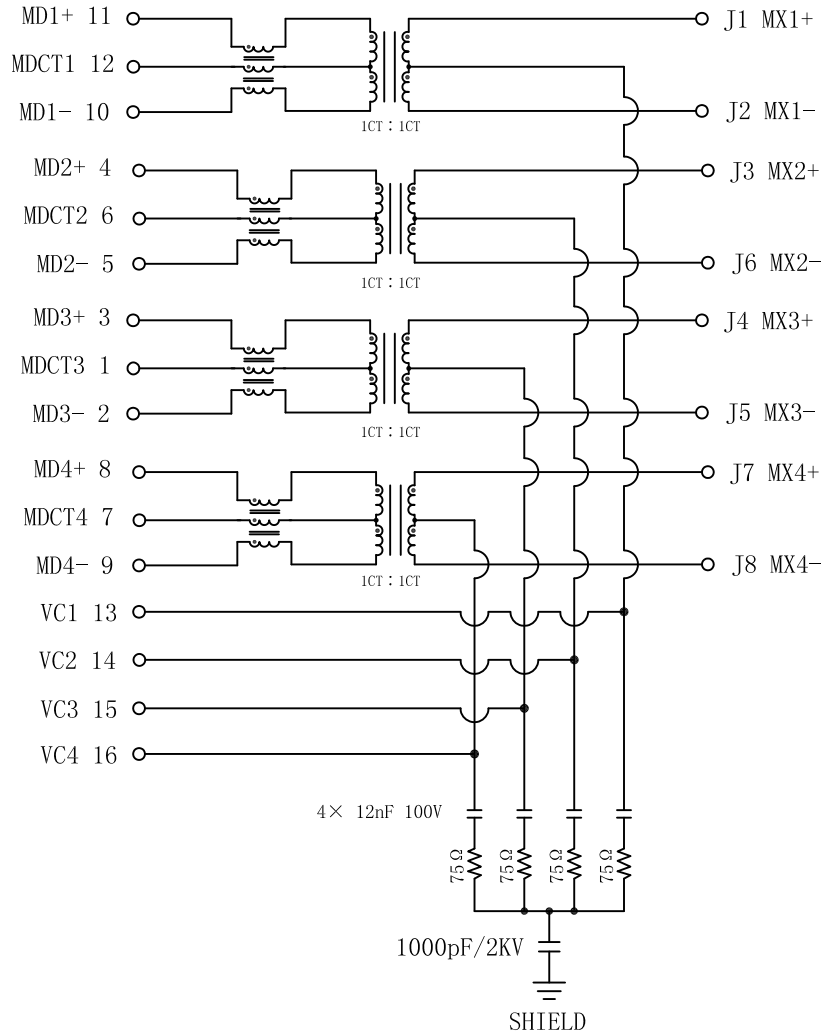


Schematic:

REV.	ECN NO.	DESCRIPTION	DATE	APPD
A	REL		2010/07/14	

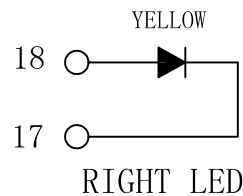
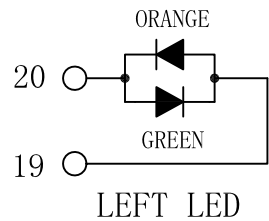
PC BOARD CONNECTIONS



RJ45 CONNECTOR

Electrical Specifications @25°C

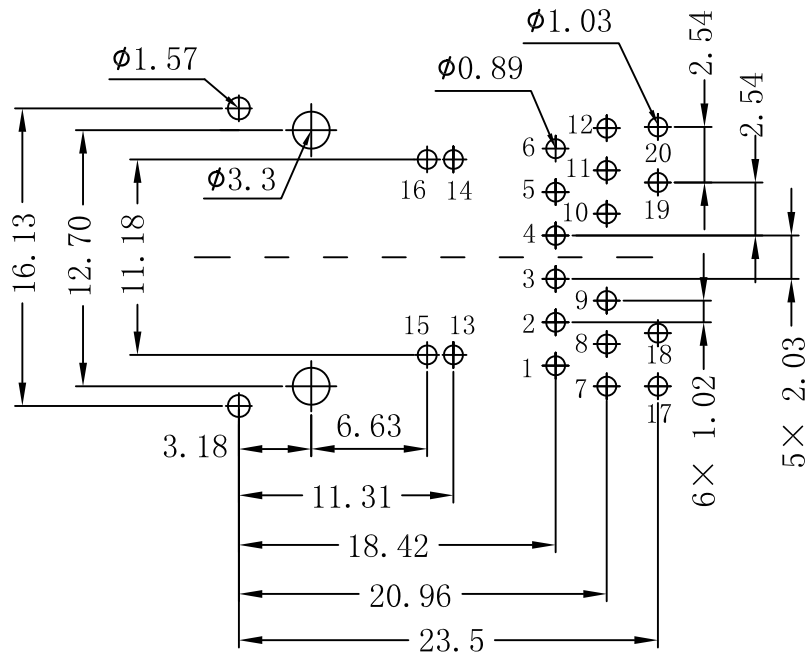
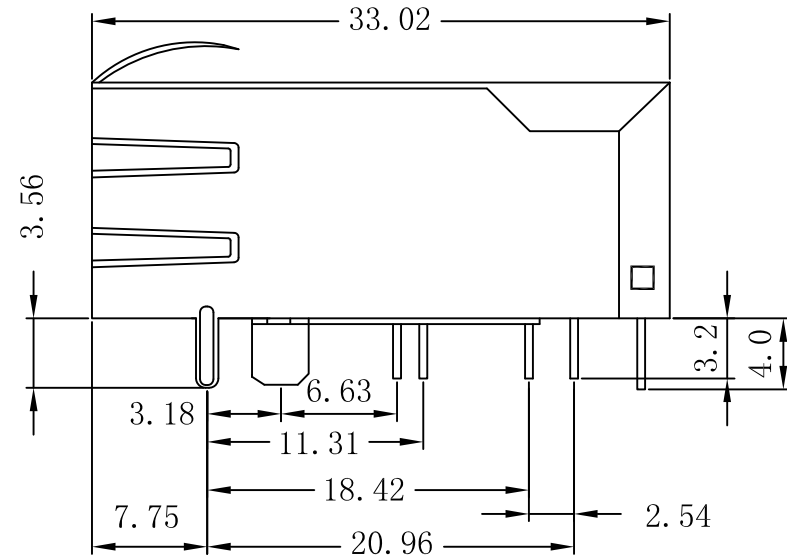
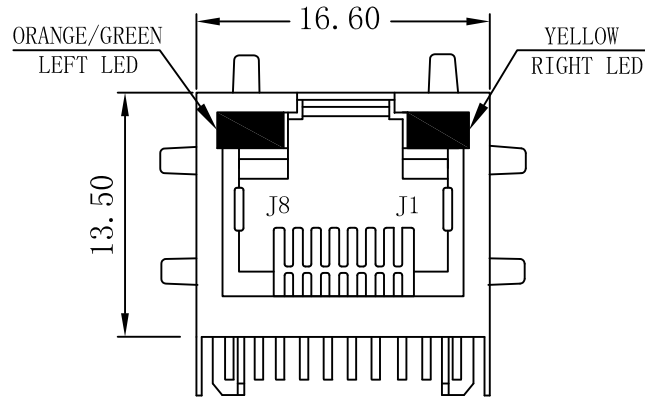
- Inductance: 350uH Min @100KHz, 0.1V, 8mA DC BIAS
- Turns Ratio ($\pm 2\%$):
1CT : 1CT
- Insertion Loss (dB Max):
0.1-1MHz: -1.1 1-65MHz: -0.5
65-100MHz: -0.8 100-125MHz: -1.2
- Return Loss (dB Min):
0.5-40MHz: -18
40-100MHz: -12+20LOG (f/80MHz)
- Crosstalk:
0.1-100MHz: -33+20LOG (f/100MHz) dB Min
- CM TO CM REJ:
0.1-100MHz: -30dB Min
- CM TO DM REJ:
0.1-100MHz: -35dB Min
- Hipot: 1500Vrms Min @60Hz
- Operating Temperature: 0°C ~ 70°C.



X:X	± 0.25	APPD:	LINK-PP INT'L TECHNOLOGY CO., LIMITED	
X:XX	± 0.20	CHKD:	TITLE: RJ45 Connector with 10/100 Base-TX Integrated Magnetic For PoE Application	
X:XXX	± 0.05	DR: TOM	PART NO.: LPJK2065AONL	
ANGLES	$\pm 1^\circ$	UNIT: mm		
	SCALE: 2/1	SHEET: 1/2	REV: A	DWG NO.: LP10071412

Mechanical :

REV.	ECN NO.	DESCRIPTION	DATE	APPD
A	REL		2010/07/14	



SUGGESTED PCB LAYOUT (TOP VIEW)

NOTES:

1. Designed to support application, such as SOHO (ADSL modems), LAN-on-Motherboard (LOM), hub and Switches.
2. Meets IEEE 802.3 specification
3. Connector Materials:
 Housing: Thermoplastic UL94V-0
 Contact/Shield: Copper alloy
 Shield plating: Nickel
 Contact plating: Gold 6 micro-inches min. In contact area.
4. Wave solder tip temperature: 265°C Max
 Wave solder tip temperature time: 5 Sec Max



X:X	±0.25	APPD:	LINK-PP INT'L TECHNOLOGY CO., LIMITED
X:XX	±0.20	CHKD:	
X:XXX	±0.05	DR: TOM	TITLE: RJ45 Connector with 10/100 Base-TX Integrated Magnetic For PoE Application
ANGLES	±1°	UNIT: mm	PART NO.: LPJK2065AONL
	SCALE: 2/1	SHEET: 2/2	REV: A DWG NO.: LP10071412