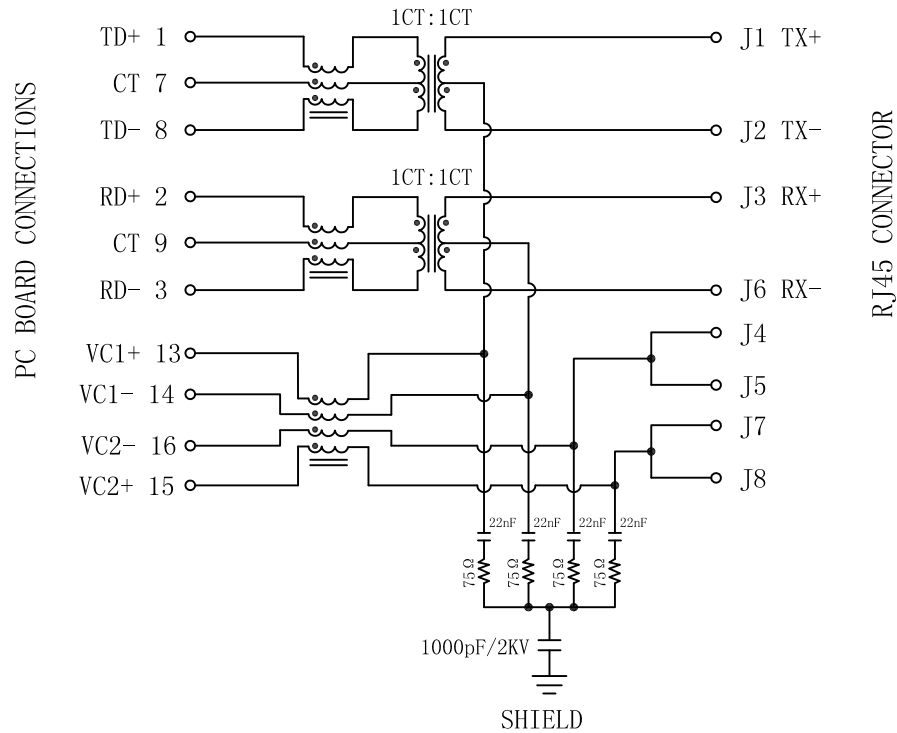


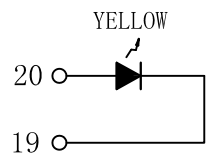
Schematic :

REV.	ECN NO.	DESCRIPTION	DATE	APPD
A	REL		2015-05-05	

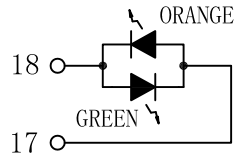


Electrical Specifications @25°C

- OCL: 350uH MIN
@100KHz, 100mV, 8mA bias current.
- Turns Ratio ($\pm 3\%$):
TX=1CT:1CT RX=1CT:1CT
- Insertion Loss:
1-100MHz: -1.0dB MAX
- Return Loss (dB MIN):
0. 1-30MHz: -16
30-60MHz: -14
60-80MHz: -10
- Crosstalk (dB MIN):
1MHz: -50
10-100MHz: -30
60-80MHz: -10
- CMRR (dB MIN):
2MHz: -50
30-200MHz: -20
- Hipot: 1500Vrms MIN
- DC Current/Voltage Rating-pse pins:
350mA@57V (continuous)
- Operating Temperature: 0°C ~ 70°C.



LEFT LED



RIGHT LED

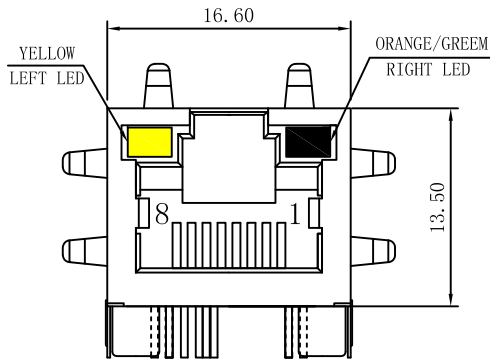
Emitting Color	λ p(nm)	VF@IF=20mA	IR @VR=5V
ORANGE/GREEN	610/565	1.8~2.6V	10 μ A max
YELLOW	585	1.8~2.6V	10 μ A max



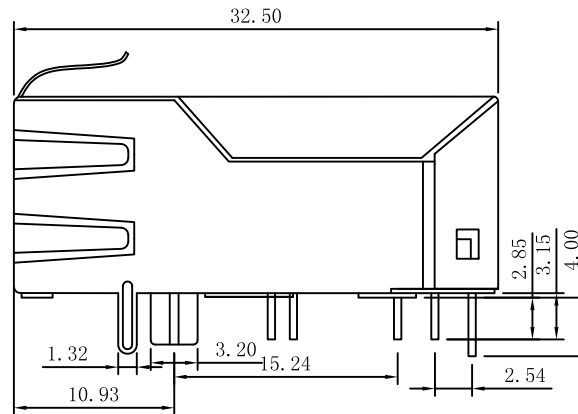
X:X	± 0.30	APPD:	LINK-PP INT'L TECHNOLOGY CO., LIMITED	
X:XX	± 0.25	CHKD:	TITLE: RJ45 Connector with 10/100 Base-T Integrated Magnetics For PoE Application	
X:XXX	± 0.05	DR: TOM	PART NO.: LPJK2007ASNL	
ANGLES	$\pm 1^\circ$	UNIT: mm	DWG NO.: LP15050501	
		SCALE: 2/1	SHEET: 1/2	REV: A

Mechanical :

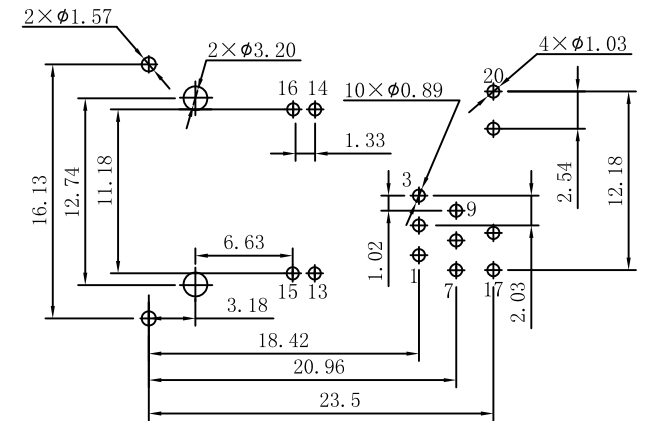
REV.	ECN NO.	DESCRIPTION	DATE	APPD
A	REL		2015-05-05	



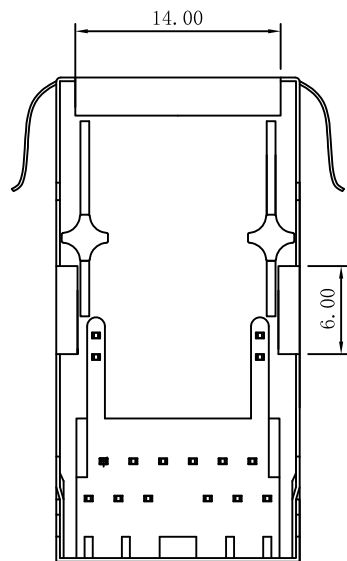
Front Side View



Left Side View



Suggested PCB Layout



Bottom Side View



Top Side View

NOTES:

1. Designed to support application, such as SOHO (ADSL modems), LAN-on-Motherboard (LOM), hub and Switches.
2. Meets IEEE 802.3af specification
3. Connector Materials:
Housing Material: Thermoplastic PBT+30%G.F UL94V-0
Contact Material: Phosphor Bronze C5210R-EH Thickness=0.35mm
Pins: Brass C2680R-H Thickness=0.35mm
Shield: Copper alloy Brass H65Y Thickness=0.2mm
Contact plating: Gold 6 micro-inches min. In contact area.
4. Wave solder tip temperature: 265°C Max, 5 Sec Max



X:X ±0.30	APPD:	LINK-PP INT'L TECHNOLOGY CO., LIMITED
X:XX ±0.25	CHKD:	
X:XXX ±0.05	DR: TOM	TITLE: RJ45 Connector with 10/100 Base-T Integrated Magnetics For PoE Application
ANGLES ±1°	UNIT: mm	PART NO.: LPJK2007ASNL
	SCALE: 2/1	SHEET: 2/2
	REV: A	DWG NO.: LP15050501