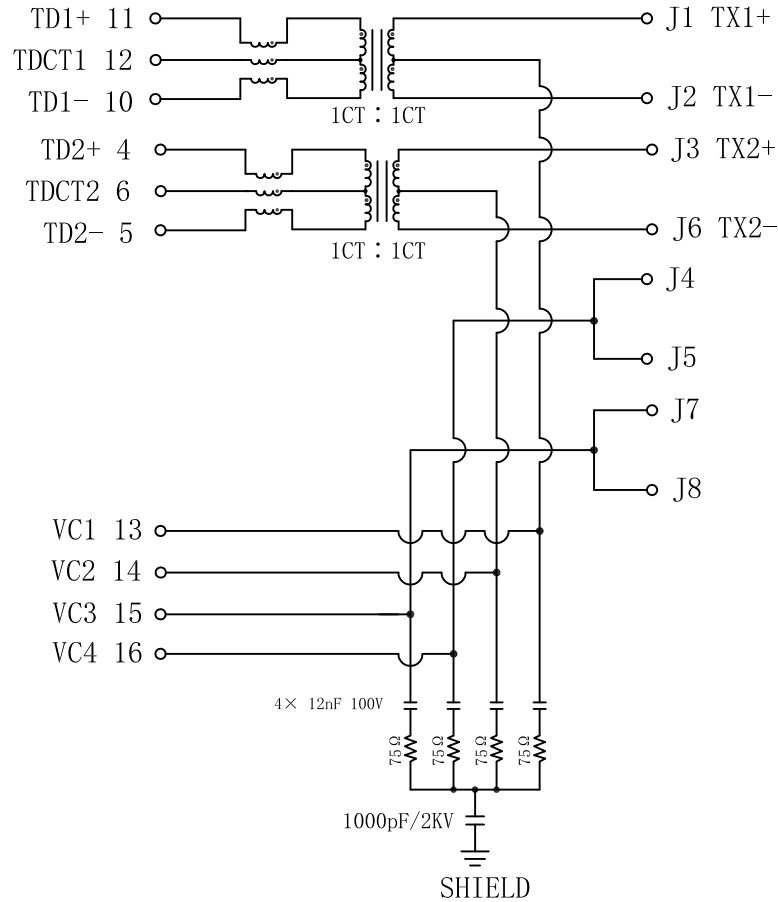


# Schematic :

REV.	ECN NO.	DESCRIPTION	DATE	APPD
A	REL		2013-12-26	

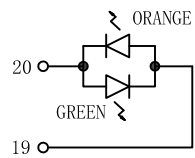
PC BOARD CONNECTIONS



RJ45 CONNECTOR

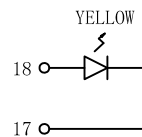
## Electrical Specifications @25°C

- Turns Ratio ( $\pm 2\%$ ):  
TX = 1CT:1CT      RX = 1CT:1CT
- Inductance: 350uH Min  
@100KHz, 0.1V, 18mA DC Bias.
- Insertion Loss:  
1-100MHz: -1.0dB Max
- Return Loss (load 100Ω):  
1-30MHz: -18dB Min  
30-45MHz: -16dB Min  
45-60MHz: -14dB Min  
60-80MHz: -12dB Min
- Crosstalk:  
1-100MHz: -30dB Typ
- Common Mode Rejection:  
1-100MHz: -30dB Min
- Balanced DC Line Current:  
720mA Max @57VDC CONTINUOUS  
1.2A Max @57VDC For 200 Miliseconds
- Hipot: 1500Vrms Min @60Hz
- Operating Temperature: 0°C ~ 70°C.



LEFT LED

LED POLARITY		COLOR
PIN 20	PIN 19	
+	-	GREEN
-	+	ORANGE



RIGHT LED

LED POLARITY		COLOR
PIN 18	PIN 17	
+	-	YELLOW

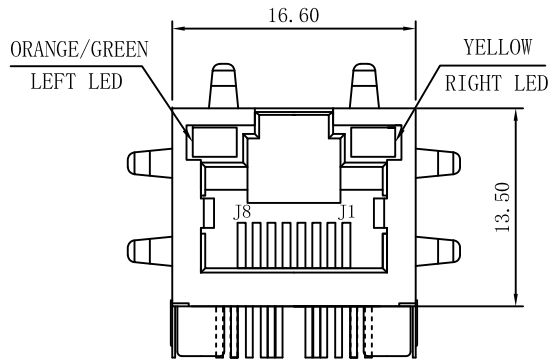


Emitting Color	$\lambda$ p(nm)	VF@IF=20mA	IR @VR=5V
ORANGE / GREEN	610 / 565	1.8~2.6V	10 $\mu$ A max
YELLOW	585	1.8~2.6V	10 $\mu$ A max

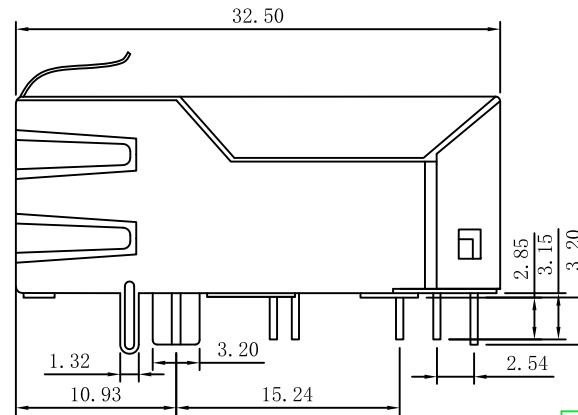
X:X	$\pm 0.30$	APPD:	LINK-PP INT'L TECHNOLOGY CO., LIMITED	
X:XX	$\pm 0.25$	CHKD:	TITLE: RJ45 Connector with 10/100 Base-T Integrated Magnetics For PoE+ Application	
X:XXX	$\pm 0.05$	DR: TOM	PART NO.: LPJK2005AONL	
ANGLES	$\pm 1^\circ$	UNIT: mm	DWG NO.: LP13122623	
SCALE: 2/1		SHEET: 1/2		REV: A

# Mechanical :

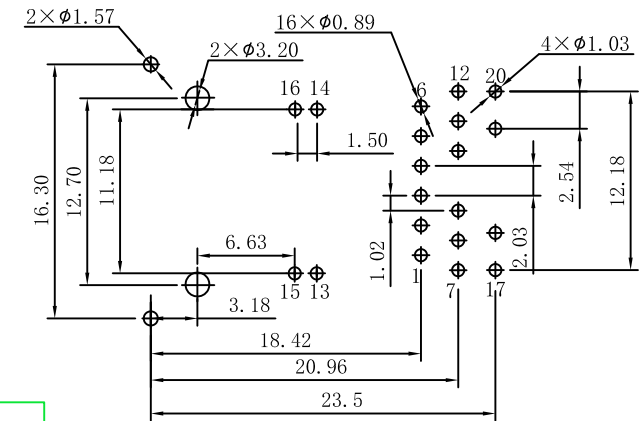
REV.	ECN NO.	DESCRIPTION	DATE	APPD
A	REL		2013-12-26	



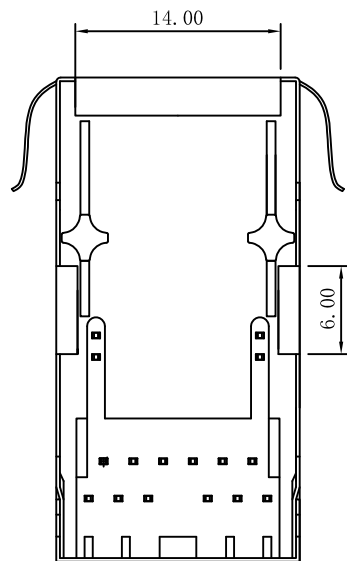
Front Side View



Left Side View



Suggested PCB Layout (Top View)



Bottom Side View



Top Side View

## NOTES:

1. Designed to support application, such as SOHO (ADSL modems), LAN-ON-Motherboard (LOM), hub and Switches.
2. Meets IEEE 802.3at specification
3. Connector Materials:  
 Housing Material: Thermoplastic PBT+30%G.F UL94V-0  
 Contact Material: Phosphor Bronze C5210R-EH Thickness=0.35mm  
 Pins: Brass C2680R-H Thickness=0.35mm  
 Shield: Copper alloy Brass H65Y Thickness=0.2mm  
 Contact plating: Gold 6 micro-inches min. In contact area.
4. Wave solder tip temperature: 265°C Max, 5 Sec Max.
5. UL Certification: File Number E484635.

X:X	±0.30	APPD:	LINK-PP INT'L TECHNOLOGY CO., LIMITED	
X:XX	±0.25	CHKD:	TITLE: RJ45 Connector with 10/100 Base-T Integrated Magnetics For PoE+ Application	
X:XXX	±0.05	DR: TOM	PART NO.: LPJK2005A0NL	
ANGLES	±1°	UNIT: mm	DWG NO.: LP13122623	
	SCALE: 2/1	SHEET: 2/2	REV: A	